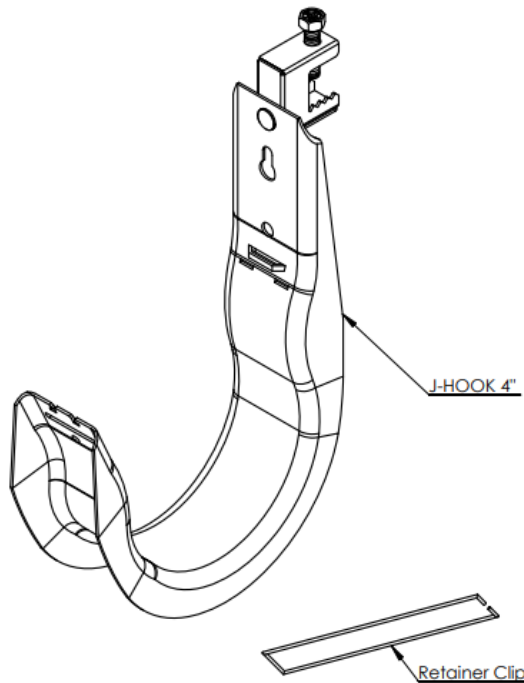


# 4" J-hook w/ Beam Clamp, 25pk



## Package Include:

- A. 4" J-Hook, 25 Pieces**
- B. Beam Clamp, 25 Pieces**
- C. Screw, 25 pieces**
- D. Retainer Clip, 25 Pieces**

## Features and Benefits

- Designed from high quality galvanized steel for strength and durability
- Accommodates CAT 5e, CAT 6, CAT 6A, coax, fiber, and conduit
- Rust resistant zinc finish
- Complies with EIA/TIA requirements for structured cabling systems
- Cost effective alternative to expensive cable tray or ladder runway rack
- Smooth edges provide proper support, facilitate bend radius
- Cables can be pulled through quickly and easily
- Cable anchor points allows users to secure with cable ties
- Available in bulk packs of 25

**NOTE: UNLESS OTHERWISE SPECIFIED**

1. Material: 18 Gauge Galvanized Steel
2. Surface Finish: Zinc Plated
3. 60 lbF. static load MAX

Capacity Reference			
Cable Type	CAT 5e	CAT6	CAT6A
QTY	~344	~227	~109

