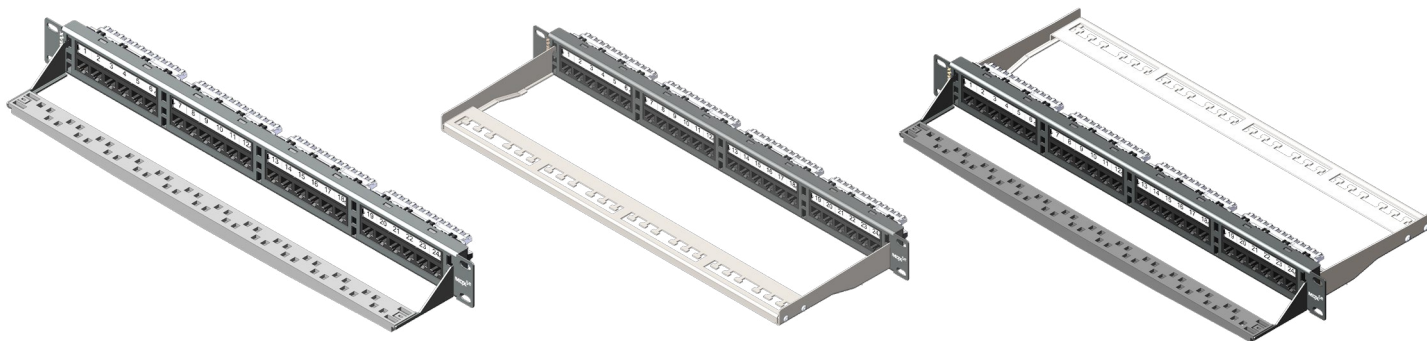
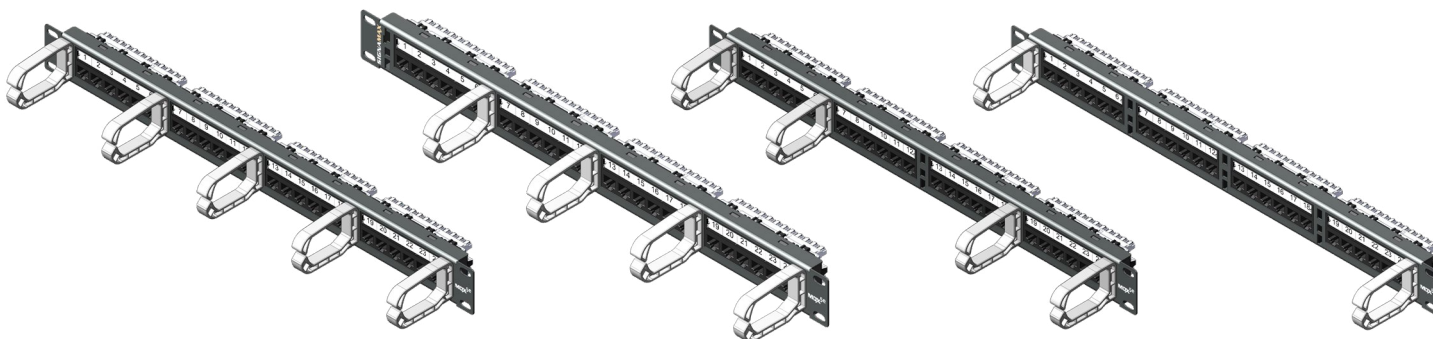


Product  
**Specifications**
**Cat 6 MDX-Series Patch Panels**
**KEY FEATURES**

- Exceeds ANSI/TIA-568-C.2 Category 6 component performance
- UL listed and TAA compliant
- Designed with multiple cable management options in the front and rear of the panel to accommodate any install configuration
- Modular blocks with built-in PCB-based jacks ensure Category 6 parameters
- Easy-to-read T568A/B wiring scheme color-coded label
- Standard termination with single-position or multi-pair 110 termination tools
- Hinged clear windows over each set of ports for quick identification


**ORDERING INFORMATION**

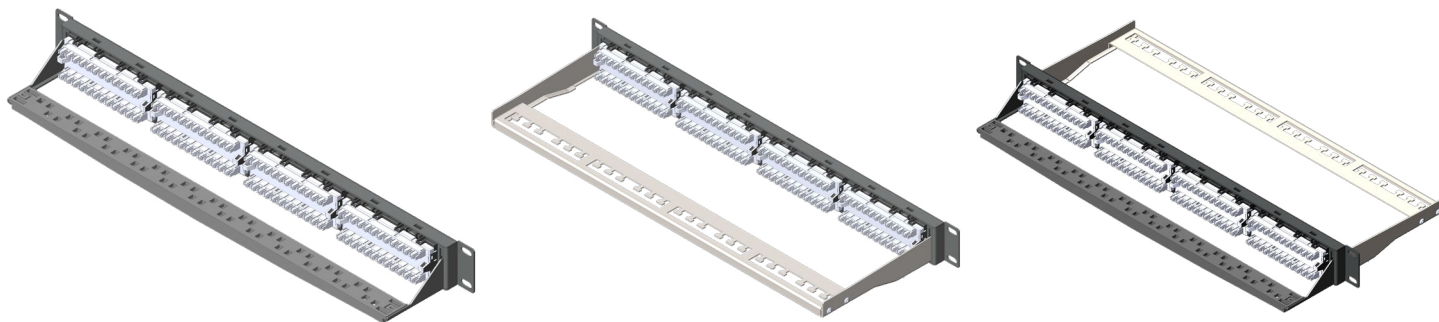
PART NO.	DESCRIPTION
24458MDX-C6	24-Port Category 6 MDX-Series Patch Panel, 1 RMU
48458MDX-C6	48-Port Category 6 MDX-Series Patch Panel, 2 RMU
ACCESSORIES	
CMB-250-P	Plastic Panel-Mount CM Bar, 2.50" Deep
CMB-550-M	Metal Panel-Mount CM Bar, 5.50" Deep
CMBRKT-01-5	Panel-Mount CM Bracket, 65 x 40 mm, 5-Pack

**\*FRONT MANAGEMENT BAR OPTIONS**

**\*FRONT MANAGEMENT BRACKET OPTIONS**


# Product Specifications

## Cat 6 MDX-Series Patch Panel

### \*BACK MANAGEMENT BAR OPTIONS



\*For all cable management configurations refer to the MDX Accessory Index Guide.

### FRONT DETAIL



## SPECIFICATIONS

### TRANSMISSION PERFORMANCE

ANSI/TIA-568-C.2: exceeds category 6 (1-250 MHz) component specifications

### TRANSMISSION MEDIA

Unscreened twisted pair (U/UTP)

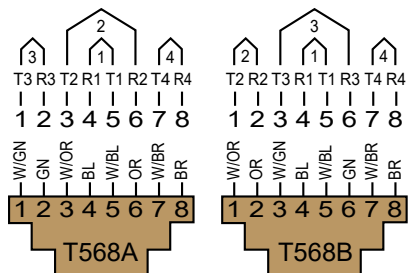
### JACK TYPE

8p8c (8-position, 8-contact) "RJ45" type

### WIRING SCHEME

ANSI/TIA-568-C.2: T568A & T568B

ISO/IEC 11801 2nd Ed.: 8-position pin/pair assignment (1-2/3-6/4-5/7-8)



### WIRE GAUGE

22 to 24 AWG (0.644 to 0.511 mm)

### CONSTRUCTION

**Panel:** Steel with corrosive resistant black finish

**Connector:**

**Housing:** High-impact thermoplastic, UL94V-0 fire-retardant

**Spring Wire:** Phosphor bronze alloy plated with min 50 µin of gold over 70 µin to 100 µin of nickel plating

**IDC:** 110 type, phosphor bronze alloy with 100-µin 100% tin alloy

### MECHANICAL

**Total Contact Force:** Min 800 g for 8 wire leads with FCC compliant 8p8c plug

**Retention:** 50 N (11 lbf) for 60 ± 5 s

**Mating Cycle Life:** Min 750 cycles with FCC compliant 8p8c plug

### ENVIRONMENTAL CONDITIONS

**Operating Temperature:** 14 °F to 140 °F (-10 °C to 60 °C)

**Storage Temperature:** -40 °F to 158 °F (-40 °C to 70 °C)

**Operating RH:** 93% Max (non-condensing)

### ELECTRICAL

**Insulation Resistance:** Min 500 MOhm @ 100 Vdc

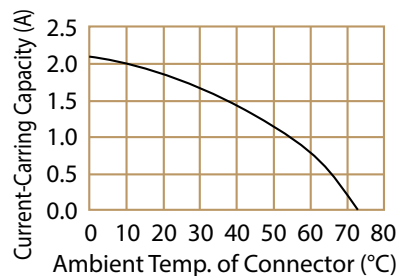
**Dielectric Withstanding Voltage:**

1,000 Vdc/ac peak contact-to-contact @ 60 Hz for 1 min

**Spring Wire Contact Resistance:** Max 20 mOhm

**IDC Contact Resistance:** Max 2.5 mOhm

**Current Rating:**



### DIMENSIONS

**Panel:** 19-in rack mountable

**Depth:**

**Panel (only):** 1.4" (35 mm)

**CMB-250-P: Front-mounted:** 2.5" (65 mm); **Rear-mounted:** 2.1" (80 mm)

**CMB-550-M: Front-mounted:** 5.6" (140 mm); **Rear-mounted:** 6.1" (155 mm)

**CMBRKT-01:** 2.5" (65 mm) front-mount only

**Height:**

**24458MDX-C6:** 1 RMU (1.75" (44.45 mm))

**48458MDX-C6:** 2 RMU (3.50" (88.90 mm))

### COMPLIANCE

ANSI/TIA-568-C.2, IEEE 802.3 ab, FCC Part 68 Subpart F, UL 94V-0, UL 1863, IEC 60603-7

### APPLICATIONS

X.21, V.11, S0, ISDN, CSMA/CD 10BASE-T, 100BASE-TX, 100BASE-T4, 100BASE-T2, 1000BASE-T, 10GBASE-T T (up to 25 m (82 ft)), TR 4/16/100, 100BASE-VG, ATM LAN 25/51/155, TP-PMD

### WARRANTY

5 - Year Limited Component