



- Third Party Verified Category 6 Component Exceeds TIA Limits
- Plug Optimized for High Density Switch Port Count
- TSB-155 10 Gig Support
- PoE Ready

**FEATURES**

- Extended strain relief for added protection in high density applications
- Customized patch cable designed for optimized IL and NEXT
- Sled compartmentalizes conductors to reduce NEXT and improved balance
- Flexible cable for easy cable management
- Backwards compatible to Cat 5e, 5 & 3

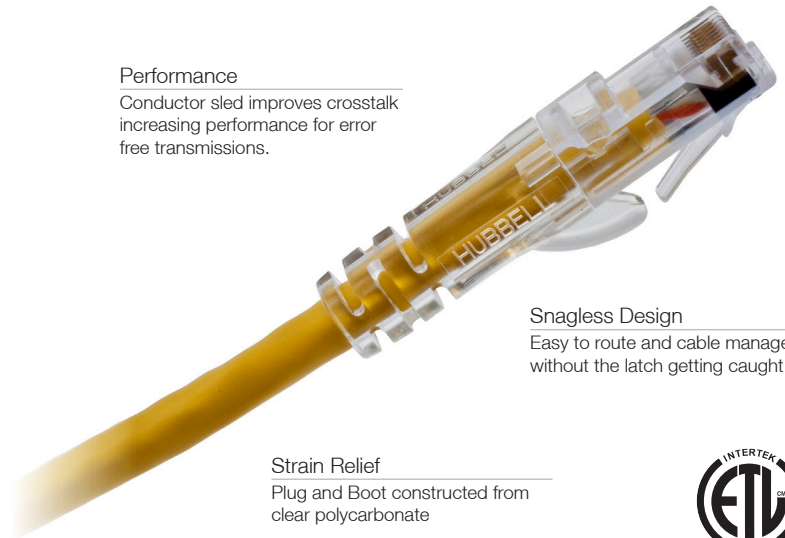
**SPECIFICATIONS**

- Cable Construction:
  - Conductor: 24AWG UTP
  - OD: 0.224
  - Jacket: Flame-Retardant PVC – CM Rated
- Plug Material:
  - Plug body: Polycarbonate UL 94V-0
  - Plug boot: Polycarbonate UL 94V-0
  - Contact: High strength copper alloy
  - Plating: 50 micro-inch Gold with 100 micro-inch under plating
- Mechanical:
  - Cable to plug tensile strength: 20+ lbs
  - Mating cycles: 2000+

**STANDARDS**

- TIA-568-C.2 Category 6 component
- Channel: Third-Party tested for TIA 568-C.2
- Category 6 and ISO 11801 Class E
- PoE+ IEEE 802.3at
- UL Listed 1863

HUBBELL **NextSpeed** CATEGORY 6 Patch Cords



**Performance**  
Conductor sled improves crosstalk increasing performance for error free transmissions.

**Snagless Design**  
Easy to route and cable manage without the latch getting caught.

**Strain Relief**  
Plug and Boot constructed from clear polycarbonate



**NEXTSPEED® Category 6** solution is a tuned system of structured cabling components designed and balanced to work together to deliver bandwidth beyond 500MHz.

HC6's enhanced custom cable and unique plug design provides superior NEXT and Return Loss parameters supporting TSB-155 10Gigabit Ethernet Zero Bit Error transmission.

Don't jeopardize your network, Hubbell's **NEXTSPEED® Category 6** solution is the product for the digital world, and provides a solid foundation for today's network applications.

**APPLICATIONS**

- 10GBASE-T TSB-155 (10-Gigabit Ethernet 35-55 meters)
- 1000Base-T Gigabit Ethernet
- 10/100BASE-T Ethernet
- ATM 155Mb/s
- Voice Protocol – VoIP
- Video Protocol – IPTV





ORDERING INFORMATION

NEXTSPEED® Category 6 Patch Cords

Length	Catalog No	Length	Catalog No
3'	<b>HC6xx03</b>	15'	<b>HC6xx15</b>
5'	<b>HC6xx05</b>	20'	<b>HC6xx20</b>
7'	<b>HC6xx07</b>	25'	<b>HC6xx25</b>
10'	<b>HC6xx10</b>		

xx = color. **B** (Blue), **BK** (Black), **GN** (Green), **GY** (Gray), **OR** (Orange), **P** (Purple), **R** (Red), **W** (White) or **Y** (Yellow).  
MTO lengths are available from 25 ft. to 100 ft. in 5 ft. increments.



RELATED PRODUCT

NEXTSPEED® Category 6 Component Jack

Delivery:	Catalog No
1 per bag/carton of 25	<b>HXJ6xx</b>
25 per bag/carton of 1	<b>HXJ6xx25</b>

xx = color. **AL** (Almond), **BK** (Black), **B** (Blue), **BN** (Brown), **EI** (Electric Ivory), **GL** (Gold), **GY** (Gray), **GN** (Green), **LA** (Light Almond), **OW** (Office White), **OR** (Orange), **P** (Purple), **R** (Red), **TI** (Telco Ivory), **W** (White), **Y** (Yellow).



NEXTSPEED® Category 6, Universal Patch Panels

Format	Width	Color	Catalog No.
Standard	19" (483)	Black	<b>P6ExxU</b>
Standard	19" (483)	White	<b>P6ExxUW</b>
Angled	19" (483)	Black	<b>P6xxAU</b>

xx= port size. **24** (24 ports) and **48** (48 ports).



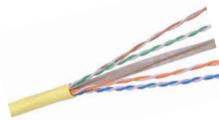
NEXTSPEED® Category 6, UTP Cable, 4-Pair

REELEX\* Spool (1000' length)

Color	Riser	Plenum
Blue	<b>C6RRB</b>	<b>C6RPB</b>
Gray	<b>C6RRGY</b>	<b>C6RPGY</b>
White	<b>C6RRW</b>	<b>C6RPW</b>
Yellow	<b>C6RRY</b>	<b>C6RPY</b>

See full line catalog for all available colors.

\* REELEX is licensed and patented by Windings Inc.



NEXTSPEED® Category 6, Trunk Cable Assemblies

BIDnet™ assemblies provide simplicity for permanent links between switches, servers, patch panels, MUTOAs and zone distribution areas enabling easy MAC's to the infrastructure.

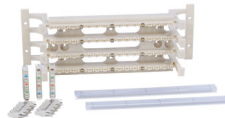
- Simplifies installation time by 75%
- Reduced initial installation cost by 30%
- 100% factory tested and assembled and backed with MC25 warranty



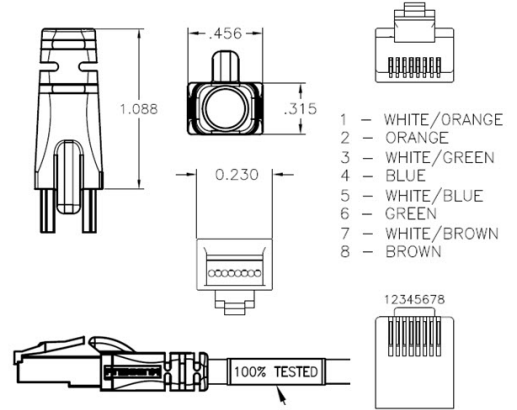
Note: Contact your local distributor today or call our offices for additional information on the availability of the BIDnet™ Pre-Terminated Copper Trunk Assemblies.

NEXTSPEED® Category 6, Field Termination Kits

Description	Catalog No.
64-Pair Kit with legs and 16 connecting blocks	<b>6110FTK64WL</b>
64-Pair Kit w/o legs and 16 connecting blocks	<b>6110FTK64NL</b>
192-Pair Kit with legs and 48 connecting blocks	<b>6110FTK192WL</b>



DIMENSIONS



INTEGRATED SOLUTIONS



Station & Cross-Connect Solutions

- Work Station Products
- Cross Connect Products
- Delivery Products
- Datacenter Products
- Next Frame Cable Management
- Velcro® Cable Management



Hubbell's HC patch cords have been designed to provide flexibility in racks and cabinets with a high density profile design and custom cable. The HC design aids cable management in the datacenter and telecommunications rooms.

