

---

# C-Series Monitoring Station Quick Start Guide

## Introduction

The exacqVision C-Series Monitoring Station is part of the Built by Exacq (BBE) line of hardware for use as a monitoring station to search and view video from exacqVision NVRs. The C-Series provides high-performance hardware with exacqVision client software preinstalled.

## Installation requirements

Before you turn on the C-Series Monitoring Station, ensure that you meet the following requirements:

- Mount the C-Series in a dust-free and climate-controlled location where the temperature is between 40°F and 95°F (4.5°C to 35°C), and the humidity level is less than 80% non-condensing.
- Do not use this product near water or a heated source, such as a radiator.
- Set up the system on a stable surface.
- Openings on the chassis are for ventilation. Do not block or cover these openings. Ensure that you leave sufficient space around the system for ventilation. Never insert objects into the ventilation openings.
- If you use an extension cord, make sure that the total ampere rating of the devices plugged into the extension cord does not exceed its ampere rating.
- Do not mount the product at a height of more than two meters.
- When you have affixed the VESA display mounts, you must secure the display to prevent instability.
- Do not walk on the power cord or allow anything to rest on it.
- Do not allow liquids to enter the system.
- When the system is turned off, a small amount of electrical current still flows. Always unplug all power, modem, and network cables from the power outlets before you clean the system.
- If you encounter the following technical problems with the product, unplug the power cord and contact a qualified service technician or your retailer:
  - The power cord or plug is damaged.
  - Liquids enter into the system.
  - The system does not function correctly.
  - The system is dropped or the cabinet is damaged.
  - The system performance changes.

## Network connection requirements

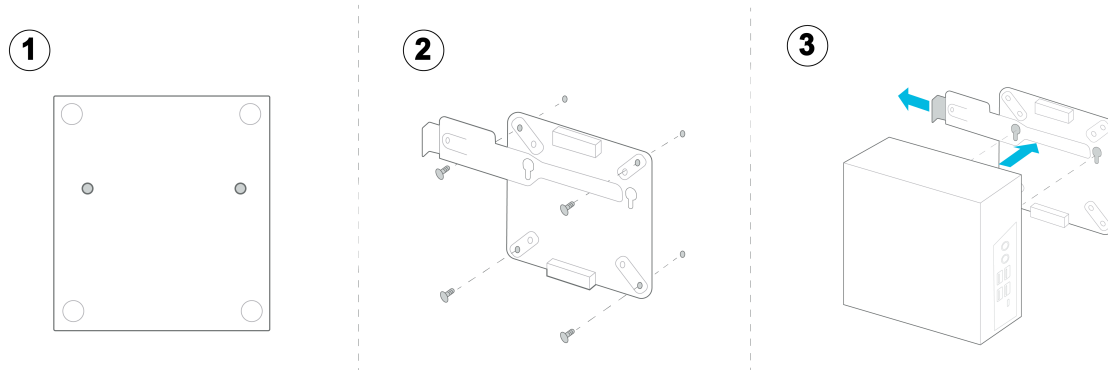
- Connect the C-Series to an IPV4 network.
- Use a standard network cable to connect your C-Series.

# Mounting the system with the VESA mount bracket

## About this task:

You can use a VESA bracket to mount the system and a VESA mount compatible display.

Figure 1: Mounting the C-Series



1. On the underside of the C-Series, attach the two screws provided.
2. Use the screws provided to attach the VESA mounting plate to the rear of a compatible display.
3. Pull the metal lock on the VESA mounting plate outwards, then insert the screws on the underside of the C-Series to the mounting holes of the VESA mounting plate.
4. Push the metal lock back toward the C-Series until it securely snaps into place.

## Initial startup

When you turn on the C-Series server for the first time, you must create an operating system user name and password.

1. Turn on the C-Series.
2. When the **Logon** dialog box appears, create a user name and password for the operating system.
3. Configure the operating system settings as required.
4. If prompted, log on to the operating system with the user name and password that you created.

## Configuring the exacqVision client

To configure the exacqVision client to connect to one or more exacqVision servers, complete the following steps:

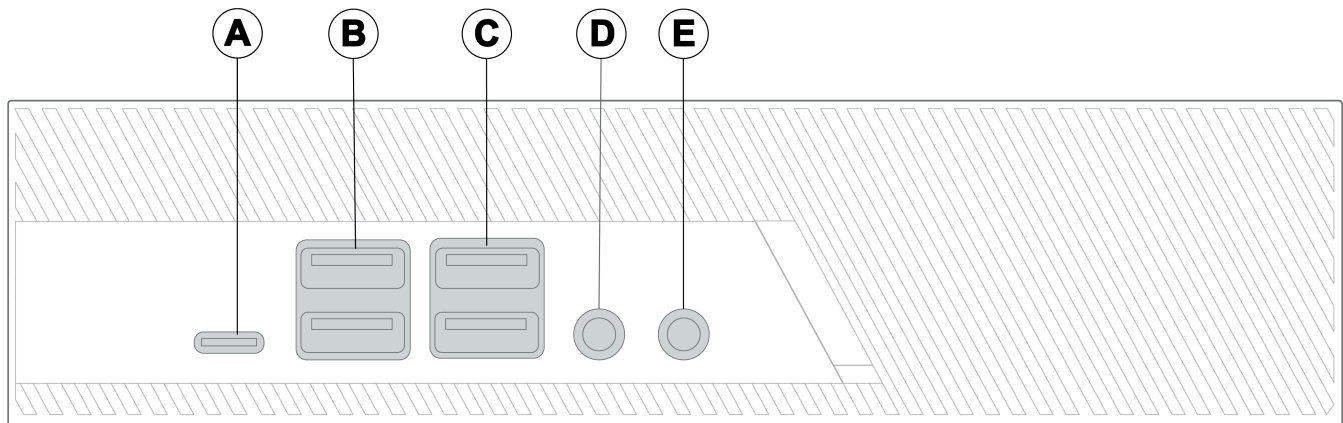
1. Start the exacqVision client application.
2. On the toolbar, click the **Config** (Setup) window icon.
3. From the navigation tree, select **Add Systems**.
4. To connect to the exacqVision server, in the **Add Systems** window, click **New** and enter the IP address or hostname of the server.
5. Enter the user name and password that was previously configured on the exacqVision server. For information about how to configure the user name and password, refer to the *exacqVision Software User Manual*.
6. Select a connection speed.
7. Click **Apply**.

## Cybersecurity

Cybersecurity guidance for use in planning, deployment, and maintenance periods is available in the [exacqVision Hardening Guide](#). For additional cybersecurity information and other resources, see <https://www.johnsoncontrols.com/trust-center/cybersecurity/resources#AdditionalResources>.

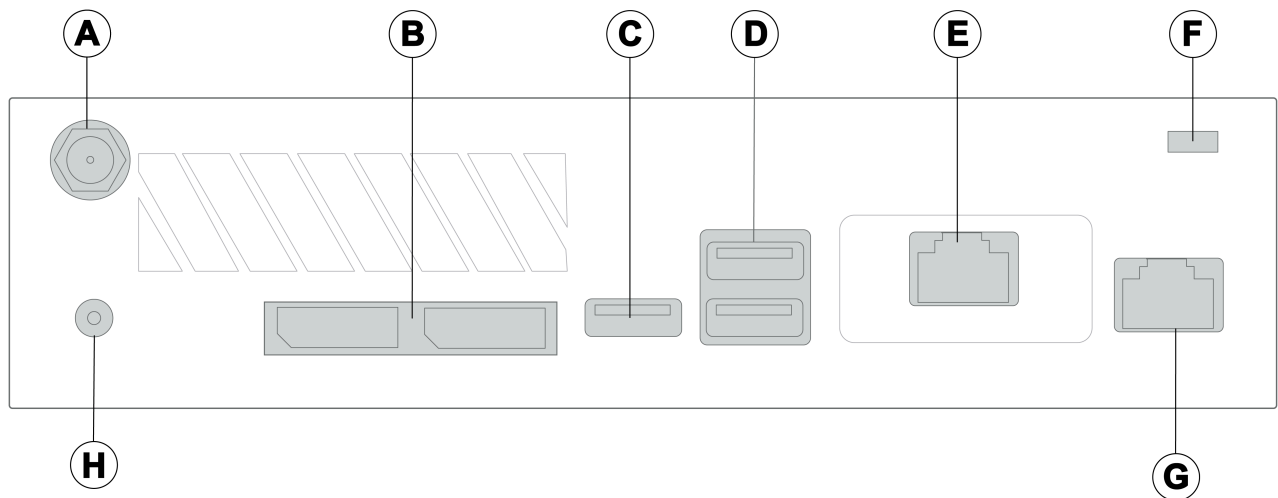
# Hardware components

Figure 2: C-Series front panel



Callout	Description	Callout	Description
A	USB 3.2 Gen 2x2 port	D	Headphone jack
B	2 x USB 3.0 ports	E	Microphone jack
C	2 x USB 2.0 ports		

Figure 3: C-Series back panel



Callout	Description	Callout	Description
A	Antenna connection	E	2.5 Gbps Ethernet port
B	2 x DisplayPorts	F	Lock point
C	USB 2.0 port	G	Ethernet port
D	2 x USB 3.1 ports	H	DC in

