



The Russound Difference

Since 1967, Russound has been building advanced audio products designed to bring exceptional sound into the home. By specializing in professionally installed audio systems, Russound has gained extensive insight into building some of the best audio amplifiers available on the market today. Over the years, Russound products have been adapted for use in commercial installations such as restaurants, coffee shops, gyms, medical and attorney offices, etc. Russound has taken the knowledge gained from both our residential installations and the needs of our commercial customers to create a compelling line of 70V/100V products specifically designed for commercial installations or for adapting the benefits of 70V audio distribution to large residential spaces like outdoor areas. The features built into the premium AW70V6mk2 speakers make them the installer's first choice in 70V applications.

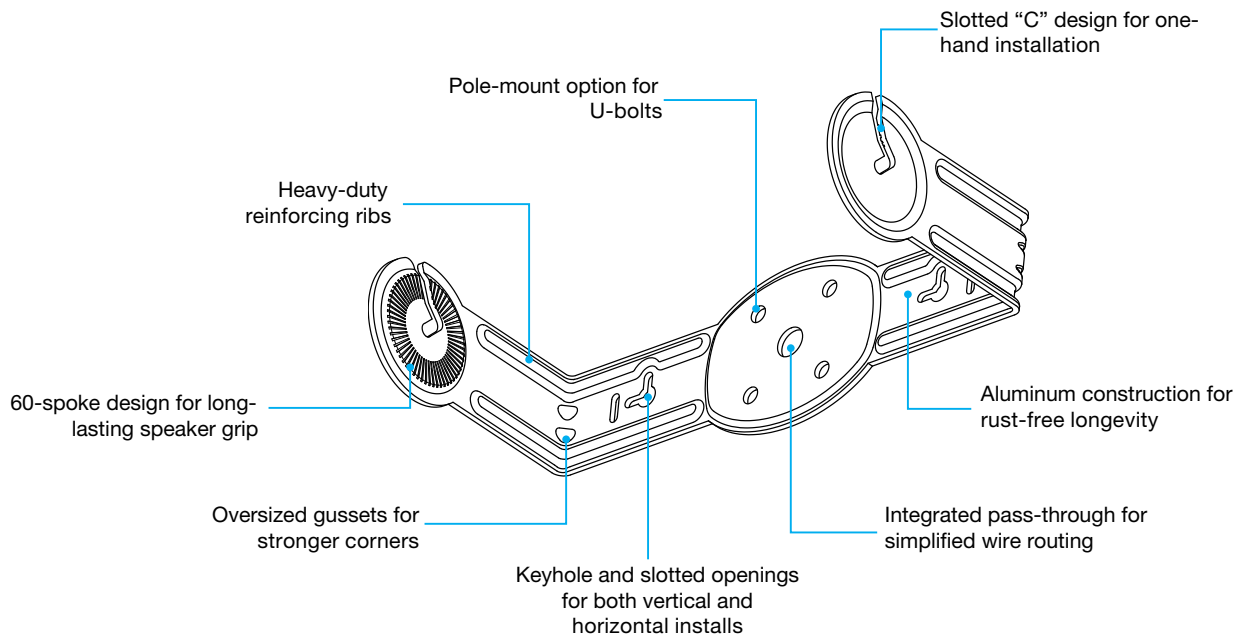
Overview

The AW70V6mk2 speakers are designed to add high quality, custom-tailored sound for distributed audio systems using either 70V or 100V amplification. With an easily adjustable weatherproof tap setting switch on the rear panel, these versatile speakers even include a bypass setting to allow their use as high performance 6-ohm speakers. Their 1" titanium dome tweeters combined in a ported-cabinet design with 6.5" injection-molded polypropylene woofers, provide the audio quality that our customers have come to know and expect from Russound, while rugged enough for even the most extreme outdoor environments.

Key Features

Rugged, One-Handed Mounting Bracket

The AW70V6mk2 use a specially designed, extra-rugged mounting bracket that offers one-handed mounting in both vertical and horizontal orientations. In addition to these options, the bracket can easily accommodate pole mounting using standard u-bolts, and the speakers themselves include dual ¼" brass inserts for using 3rd party mounts or for attaching seismic or security bolts.



Impressive Audio

By using a ported-cabinet design, the AW70V6mk2 speakers achieve better low-end response than sealed cabinet designs and the generous 1" titanium tweeter combines perfectly with the 6.5" injection-molded polypropylene woofer (IMPP) to offer an impressive overall frequency response curve. The IMPP woofer offers both a superb mix of lightweight materials and rigidity to improve the audio efficiency of the speakers while producing the high quality audio reproduction that has made Russound famous.

Long-Lasting, Brass Connectors

Designed for maintaining superior electrical connections in any environment, the screw-down connectors of the AW70V6mk2 allow for a lightning-quick installation that will maintain a reliable, trouble-free connection for years, through long hot summers, brutally cold winters and everything in between.

Easily Adjustable Tap Settings

The convenient, rear-mounted adjustment knob allows for easy adjustments of the tap setting with options for:

- 7.5W, 15W, 30W, 60W (70V)
- 15W, 30W, 60W (100V) 6Ω
- Bypass

Unlike other brands that make this adjustment difficult or hide it behind plugs or covers, Russound designed a weatherproof switch that is always accessible.

Key Features

Rustproof Aluminum Grilles

The AW70V6mk2 incorporates a powder-coated all aluminum grille for an elegant, durable finish. The embedded Russound logo is even designed to rotate for horizontal or vertical installations.

Narrow Taper for Corner Mounting

The narrow taper of the cabinet allows the speakers to be installed even in tight corners. As with any architectural speaker, the AW70V6mk2 is designed to be heard and not necessarily seen.

Trusted 2-year Warranty

The AW70V6mk2 speakers come with a generous 2-year limited warranty on all parts and labor.

Product Specifications

Tweeter	1" (2.54cm) Titanium Dome
Woofers	6.5" (16.51cm) Injection-Molded Polypropylene
Wire Gauge	Up to 12ga AWG
Grille	Powder Coated Aluminum
Frequency Response	(+/- 3dB): 55Hz-20kHz
Sensitivity	87 dB
Tap Settings	70V: 7.5W, 15W, 30W, 60W 100V: 15W, 30W, 60W 6Ω
Parts and Labor Warranty	2 Year

The Story Behind Russound

The Russound Difference from Design to Installation



About Russound

Russound was founded in 1967 in Newmarket, NH. Russound was one of the first companies to embrace multiroom audio and became a leader in the custom installation channel.

Over the decades, Russound has sold millions of volume controls and our speaker selectors, amplifiers and multiroom distributed audio systems have become the industry standard. With systems that scale up to homes as large as 48 independent zones of audio, Russound has products that are sure to meet any installation need. While many of Russound's products are hidden from view, our award-winning user interfaces provide elegant, intuitive control options for homeowners to easily access their favorite music from anywhere in their home.

Throughout its rich history, Russound has received many industry awards for product design and has patented several key technologies for the custom installation field. While not a famous brand name to the typical consumer, Russound is one of the best known and trusted brands among audio installation specialists around the world.

The Russound website at www.russound.com has all of the core consumer-level information about our key products, while our registered dealers have additional access to installation manuals, tech tips, white papers, product imagery, and system wiring diagrams that are of use to any installation professional.