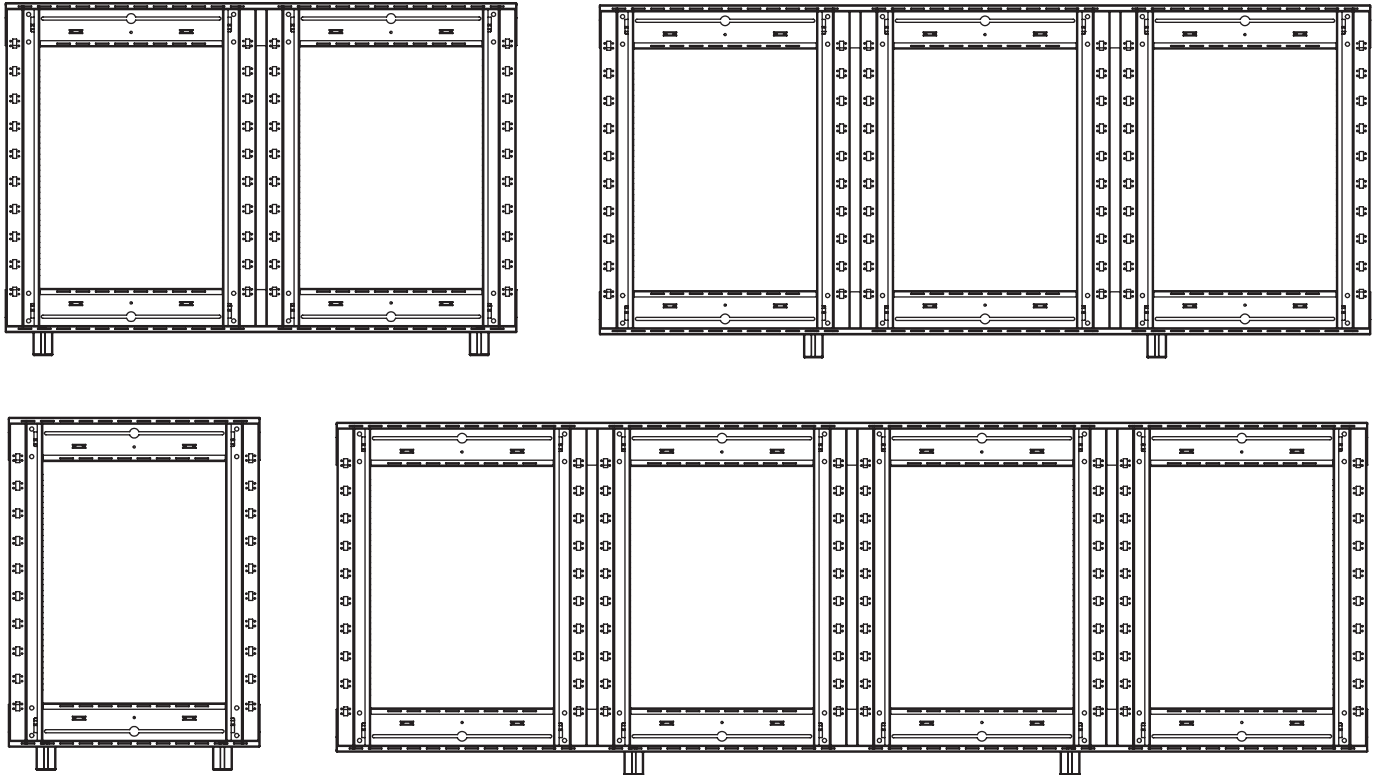


INSTRUCTION SHEET

C3 SERIES

CREDENZA FRAME



NOTE: The 1-, 2-, 3-, and 4-bay C3 credenza frames shown in 32" (813 mm) height.

Thank you for purchasing the C3 Series Credenza Frame. Please read these instructions thoroughly before installing or assembling this product.

IMPORTANT SAFETY INSTRUCTIONS

- Read these instructions.
- Heed all warnings.
- Clean only with dry cloth.
- Keep these instructions.
- Follow all instructions.
- Only use attachments/accessories specified by the manufacturer.



DANGER HAZARDOUS VOLTAGE: The lightning flash with the arrowhead symbol, within an equilateral triangle is intended to alert the user to the presence of uninsulated dangerous voltage within the product's enclosure that may be of sufficient magnitude to constitute a risk of electric shock to persons.



WARNING: A warning alerts you to a situation that could result in serious personal injury or death.



CAUTION: A caution alerts you to a situation that may result in minor personal injury or damage to the product and/or property.

NOTE: A note is used to highlight procedures pertaining to the installation, operation, or maintenance of the product.



WARNING: Failure to read, understand and follow the following information can result in serious personal injury, damage to the equipment or voiding of the warranty. It is the responsibility of the Installer/User to ensure that this product is loaded according to specifications.



WARNING: Middle Atlantic Products, electrical systems conform to and should be properly grounded in compliance with requirements of the current National Electrical Code or codes administered by local authorities. All electrical products may present a possible shock or fire hazard if improperly installed or used. Electrical products may bear the mark of a Nationally Recognized Testing Laboratory (NRTL) and should be installed in conformance with current local and/or the National Electrical Code.



WARNING: Exceeding the weight ratings on page 4 can result in serious injury or damage to the equipment. It is the responsibility of the Installer/User to ensure the components installed do not surpass the weight ratings as an unstable condition can occur which may cause possible injury or damage.



CAUTION: If there is visible damage on the product, it must not be installed.



CAUTION: Safety measures must be practiced at all times during the assembly of this product. Use proper safety equipment and tools for the assembly procedure to prevent personal injury.



CAUTION: Note that during construction, there must be no possibility of personal injury, for example the squeezing of fingers or arms.



CAUTION: For loading, always put heavier items at the bottom of the bays, not near the top, in order to help prevent the possibility of the furnishing tipping over.



CAUTION: The appliance is not intended for use by young children or infirm persons without supervision.

Safety Instructions: Rack Mount

Elevated Operating Ambient: If installed in a closed or multi-unit rack assembly, the operating ambient temperature of the rack environment may be greater than room ambient. Therefore, consideration should be given to installing the equipment in an environment compatible with the maximum ambient temperature (T_{ma}) specified by the manufacturer.

Reduced Air Flow: Installation of the equipment in a rack should be such that the amount of air flow required for safe operation of the equipment is not compromised.

Mechanical Loading: Mounting of the equipment in the rack should be such that a hazardous condition is not achieved due to uneven mechanical loading.

Circuit Overloading: Consideration should be given to the connection of the equipment to the supply circuit and the effect that overloading of the circuit might have on overcurrent protection and supply wiring. Appropriate consideration of equipment nameplate ratings should be used when addressing this concern.

Reliable Earthing: Reliable earthing of rack-mounting equipment should be maintained. Particular attention should be given to supply connections other than direct connections to the branch circuit (e.g. use of power strips).

Disconnect Device (Pluggable Equipment): The socket-outlet shall be installed near the equipment and shall be easily accessible.

INSTRUCTIONS IMPORTANTES SUR LA SÉCURITÉ

- Lire ces instructions.
- Respectez tous les avertissements.
- Nettoyer uniquement avec un chiffon sec.
- Conservez ces instructions.
- Suivez toutes les instructions.
- N'utilisez que des accessoires spécifiés par le fabricant.



DANGER TENSION DANGEREUSE: Le symbole de la pointe de flèche, dans un triangle équilatéral, est destiné à alerter l'utilisateur sur la présence de tension dangereuse non isolée dans l'enceinte du produit qui peut être d'une ampleur suffisante pour constituer un risque d'électrocution.



AVERTISSEMENT: Un avertissement vous avertit d'une situation pouvant entraîner des blessures graves ou la mort.



ATTENTION: Une attention vous avertit d'une situation pouvant entraîner des blessures mineures ou des dommages au produit et/ou à la

REMARQUE: Une remarque est utilisée pour mettre en évidence les procédures relatives à l'installation, au fonctionnement ou à l'entretien du produit.



AVERTISSEMENT: Refus de lire, comprendre et suivre les renseignements suivants peut traduire par de graves blessures, des dommages à l'équipement ou invalider la garantie. Il est la responsabilité de l'installateur/utilisateur de s'assurer que ce produit est chargé conformément aux spécifications.



AVERTISSEMENT: Les produits Middle Atlantic, les systèmes électriques sont conformes et doivent être correctement mis à la terre conformément aux exigences du Code national de l'électricité en vigueur ou aux codes administrés par les autorités locales. Tous les produits électriques peuvent présenter un risque d'électrocution ou d'incendie s'ils sont mal installés ou utilisés. Les produits électriques peuvent porter la marque d'un laboratoire d'essais reconnu au niveau national (NRTL) et doivent être installés conformément au code électrique local et/ou national en vigueur.



AVERTISSEMENT: Le dépassement des notes de poids à la page 4 peut entraîner des blessures graves ou des dommages à l'équipement. C'est la responsabilité de l'installateur/utilisateur de s'assurer que les composants installés ne dépassent pas les notes de poids comme un instable condition peut se produire qui peut causer des blessures ou dommages.



ATTENTION: S'il ya des dommages visibles sur le produit, il ne doit pas être installé.



ATTENTION: Des mesures de sécurité doivent être mises en œuvre en tout temps lors de l'assemblage de ce produit. Utiliser un équipement et des outils de sécurité appropriés pour la procédures de afin d'éviter les blessures.



ATTENTION: Notez que pendant la construction, il ne doit pas y avoir de risque de blessure, comme par exemple le écraser des doigts ou des bras.



ATTENTION: Pour le chargement, placez toujours des articles plus lourds au bas des baies, pas près du sommet, afin d'éviter la possibilité de basculement de l'ameublement.



ATTENTION: L'appareil n'est pas destiné à être utilisé par des enfants en bas âge ou des personnes infirmes sans surveillance.

Consignes de sécurité: montage en rack

Température de fonctionnement élevée: Si installé dans un rack fermé ou à unités multiples, la température ambiante de fonctionnement de l'environnement du rack peut être supérieure à ambiante de la pièce. Par conséquent, il faudrait envisager d'installer l'équipement dans un environnement compatible avec la température ambiante maximale (T_{ma}) spécifiée par le constructeur.

Réduction Air accréditives: Installation de l'équipement dans un rack doit être telle que la quantité de flux d'air nécessaire au bon fonctionnement de l'équipement ne soit pas compromise.

Chargement mécanique: Le montage de l'équipement dans le rack doit être telle qu'une condition dangereuse ne lié à un chargement mécanique irrégulier.

Surcharge des circuits: Il faudrait envisager à la connexion de l'équipement au circuit d'alimentation et l'effet que la surcharge du circuit pourrait avoir sur la protection contre les surintensités et le câblage d'alimentation. Examen approprié des équipements évaluations de la plaque signalétique doit être utilisée pour traiter de cette préoccupation.

Mise à la terre fiable: Fiable mise à la terre de l'équipement de montage en rack doit être maintenue. Une attention particulière devrait être accordée aux connexions d'alimentation autres que les connexions directes vers le circuit de dérivation (par exemple de l'utilisation de bandes de puissance).

Appareil Disconnect (Équipement Pluggable): La prise de courant doit être installée à proximité du matériel et doit être facilement accessible.

WEIGHT RATINGS

Model Number	Weight Rating
C3 1-Bay 24" (610 mm) and 32" (813 mm) Height	75 lbs. (34 kg) Per Bay, 25 lbs. (11 kg) On Top, 100 lbs. (45 kg) Maximum Total Rated Load
C3 2-Bay 24" (610 mm) and 32" (813 mm) Height	75 lbs. (34 kg) Per Bay, 50 lbs. (23 kg) On Top, 200 lbs. (91 kg) Maximum Total Rated Load
C3 3-Bay 24" (610 mm) and 32" (813 mm) Height	75 lbs. (34 kg) Per Bay, 75 lbs. (34 kg) On Top, 300 lbs. (136 kg) Maximum Total Rated Load
C3 4-Bay 24" (610 mm) and 32" (813 mm) Height	75 lbs. (34 kg) Per Bay, 100 lbs. (45 kg) On Top, 400 lbs. (181 kg) Maximum Total Rated Load
Slide-Out Rack Option (C3-TECHKIT4-SO)	75 lbs. (34 kg) Maximum Total Rated Load
Fixed Rack Option (C3-TECHKIT4-ST)	75 lbs. (34 kg) Maximum Total Rated Load
Shelf Kit Option (C3-SHELFKIT, Weight Per Shelf)	30 lbs. (14 kg) Maximum Total Rated Load
Display Mount Option (C3-XX-LDXU, Weight Per Screen)	125 lbs. (57 kg) Maximum Total Rated Load

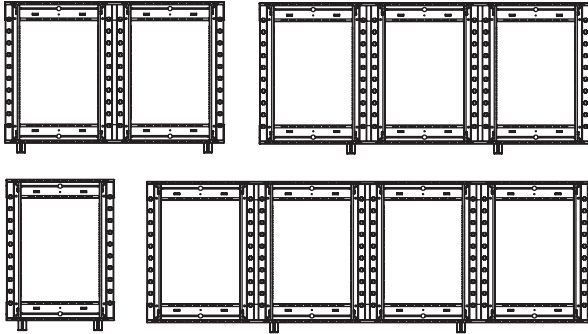


WARNING: This product is intended for use only with the products and maximum weights indicated. Use with other products or products heavier than the maximum weights indicated may result in instability causing possible injury. Total equipment weight must not exceed the amounts indicated on the previous table.



AVERTISSEMENT: Ce produit est destiné à être utilisé uniquement avec les produits et les poids maximum indiqués. L'utilisation avec d'autres produits ou produits plus lourds que le poids maximum indiqué peut entraîner une instabilité pouvant causer des blessures. Le poids total de l'équipement ne doit pas dépasser les quantités indiquées dans le tableau précédent.

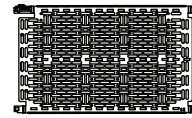
SUPPLIED COMPONENTS AND HARDWARE



Frame

A

NOTE: The 1-, 2-, 3-, and 4-bay C3 frames are shown in 32" (813 mm) height.



Pre-Installed 10" Lever Lock™ Plate

NOTE: Pre-installed onto the frame.

B

Model	Qty.
1-Bay	1
2-Bay	1
3-Bay	2
4-Bay	2



SNAPTGGLE®

Anchor

C

Model	Qty.
1-Bay	6
2-Bay	6
3-Bay	12
4-Bay	12



1/4"-20 x 2 1/2" Bolt

D

Model	Qty.
1-Bay	4
2-Bay	4
3-Bay	8
4-Bay	8



1/4" Washer

E

Model	Qty.
1-Bay	4
2-Bay	4
3-Bay	8
4-Bay	8

NOTE:

- To order more hardware, contact support at 1-800-266-7225.
- Additional hardware is included that may not be required for your installation.
- Hardware amounts for custom credenzas may vary.

REQUIRED TOOLS

- Protective Eyewear
- Pencil
- Power Driver
- 7/16" Socket and Wrench
- Tape Measure
- Level
- 3/32" Drill Bit
- 1/2" Socket
- Stud Finder
- 1/2" Drill Bit
- #2 Phillips Bit



WARNING: Use tools with caution and follow all necessary safety protocols.

AVERTISSEMENT: Utiliser des outils avec prudence et suivre tous les protocoles de sécurité nécessaires.

INTRODUCTION

NOTE:

- Please take the time to carefully unpack and inspect all of your C3 Series products and gather their corresponding instruction sheets. They are referenced and used together for the C3 installation process and should be saved for future use.
- Instruction sheets may also be accessed at www.middleatlantic.com.
- After unpacking and inspecting your woodwork kit, put the wood back inside the box for added protection until required for specific assembly steps.
- Maintenance and care information is provided in Care and Cleaning of Products (I-00788) and Unpacking and Handling Precautions (I-00787) for your convenience.

General C3 Series Installation Procedure

This C3 Series Credenza Frame instruction sheet shows you how to properly secure the frame to your wall using either the default (frame feet) height or a custom height in the following sections:

- “Attaching Your Frame Using the Default (Frame Feet) Installation Height” on page 6.

NOTE: If your installation includes a display mount option (C3-XX-LDXU), you must attach your frame to the wall using the default (frame feet) installation height.

- “Hanging Your Frame Using a Custom Installation Height” on page 9.

The next steps of your installation depend on the various options and kits you may have purchased for your credenza. They are referenced in corresponding instruction sheets and the procedures are done in the following recommended order.

NOTE: “Introduction” and “Understanding Next Steps” topics are included in each C3 Series instruction sheet to provide helpful information and context along the way.

Specific Instruction Sheet Order for the C3 Series Installation Process

1. Use this instruction sheet to secure the frame to your wall.
2. Refer to the following instruction sheets to install the C3 Series options you may have purchased for your credenza.
 - C3 Series Display Mount Option (C3-XX-LDXU) Instruction Sheet (100-00034)
 - C3 Series Slide-Out Rack Option (C3-TECHKIT4-SO) Instruction Sheet (100-00036)
 - C3 Series Fixed Rack Option (C3-TECHKIT4-ST) Instruction Sheet (100-00037)
 - C3 Series Shelf Option (C3-SHELFKIT) Instruction Sheet (100-00038)
3. Refer to the C3 Series WoodKit instruction sheet (100-00040) and perform the installation.
4. If you purchased a fan kit, refer to C3 Series Fan Kit (C3-FANKIT) instruction sheet (100-00039) and perform the installation.
5. If you purchased a large cover option (for your purchased display mount option), refer to the C3 Series Display Mount Large Cover Option instruction sheet (100-00035) and perform the installation.

NOTE:

- Kits and options other than the fan kit and large cover option should be installed before your woodkit is attached to the frame.
- Attaching your display(s) (display(s) not included) to the horizontal extrusion of the display mount option (C3-XX-LDXU, if purchased) must be done as the final part of your C3 installation process. For more information, refer to "Attaching Your Display to the Horizontal Extrusion" on page 11 of the C3 Series Display Mount Option (C3-XX-LDXU) Instruction Sheet (100-00034).

ATTACHING YOUR FRAME USING THE DEFAULT (FRAME FEET) INSTALLATION HEIGHT

NOTE:

- If your installation includes a display mount option (C3-XX-LDXU), you must attach your frame to the wall using the default (frame feet) installation height as explained in this topic.
- If your installation requires the credenza to be mounted at a specific height other than using the feet on the floor, you cannot use the display mount option (C3-XX-LDXU), and should see “Hanging Your Frame Using a Custom Installation Height” on page 9.

1. Carefully team lift your frame (A) and place it on its feet against your desired mounting wall.

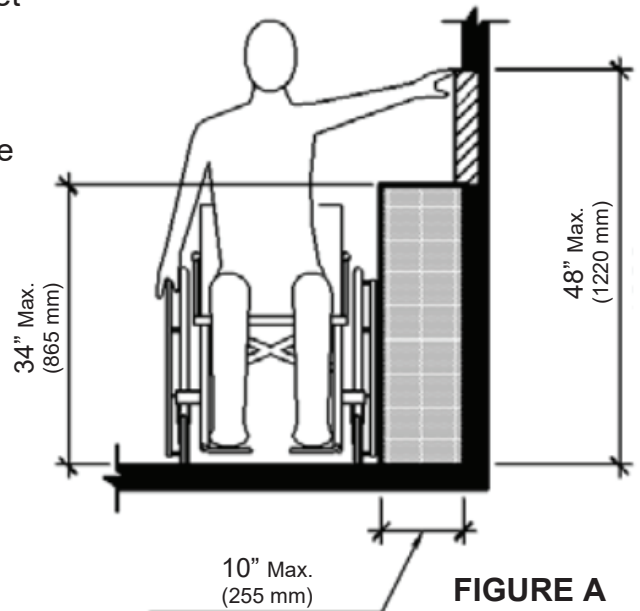
NOTE: The height of your credenza (from your floor to the top edge of your woodkit) when mounting your frame to the wall using this default (frame feet) installation is:

- 25” (635 mm) for the 24” (610 mm) model.
- 33” (838 mm) for the 32” (813 mm) model.

This meets the ADA requirements of a 34” (865 mm) maximum height. **(FIGURE A)**

For more information, refer to the ADA Standards for Accessible Design at:

<https://www.ada.gov>

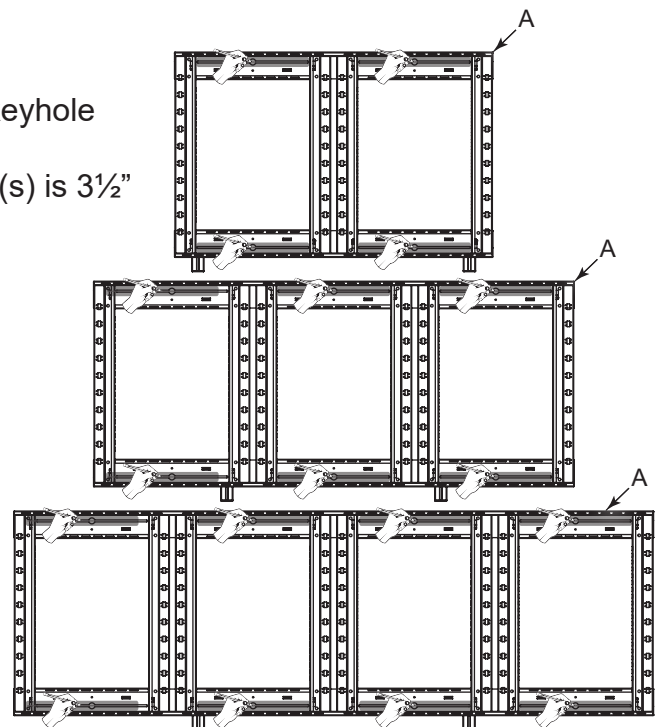
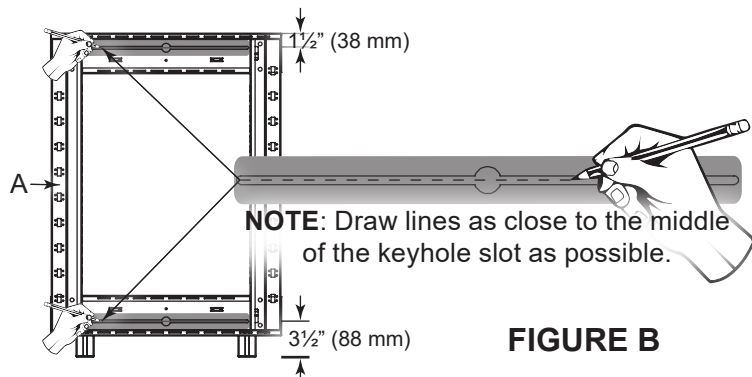


- Consider power receptacles on the wall and power requirements when positioning your frame.

2. Use a pencil to draw a horizontal lines in the center of the top and bottom keyhole slots (shaded) in each bay of your credenza. **(FIGURE B)**

NOTE:

- The distance from the top edge of your frame to top keyhole slot is 1½” (38 mm).
- The distance from the floor to the bottom keyhole slot(s) is 3½” (88 mm).

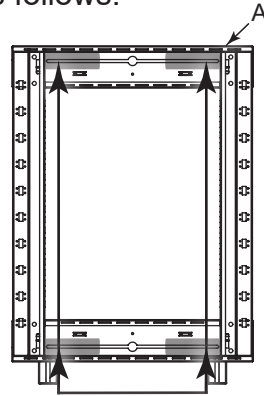


ATTACHING YOUR FRAME USING THE DEFAULT INSTALLATION HEIGHT (CONTINUED)

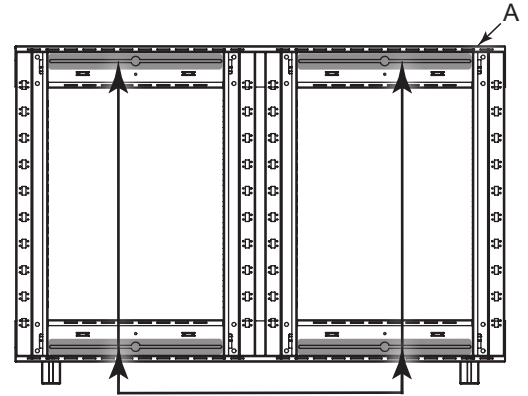
3. For each bay on your frame, use a pencil and mark top and bottom keyhole slot drilling locations based on your specific wall installation as follows:

IF YOU ARE SECURING YOUR FRAME TO A WALL OF CINDERBLOCK OR CONCRETE:

While your frame is still on the wall, mark your desired keyhole slot drilling locations along top and bottom keyhole slot lines (drawn during step 2) as shown. (FIGURE C)



Keyhole slot drilling locations (4x, shaded) on a 1-bay.

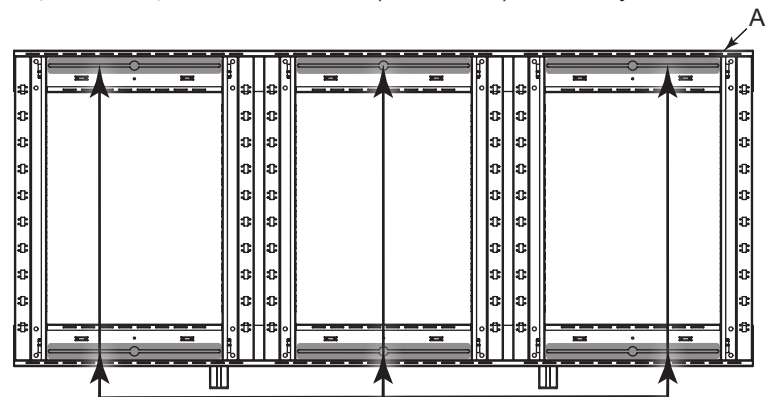


Keyhole slot drilling locations (4x, shaded) on a 2-bay.

NOTE:

- Carefully team lift your frame away from the wall after making all keyhole slot drilling locations.
- If you are not securing your frame into cinderblocks using the provided SNAPTOGGLE® anchors (C), and instead are going into a solid concrete wall, you must provide your own concrete anchor hardware.

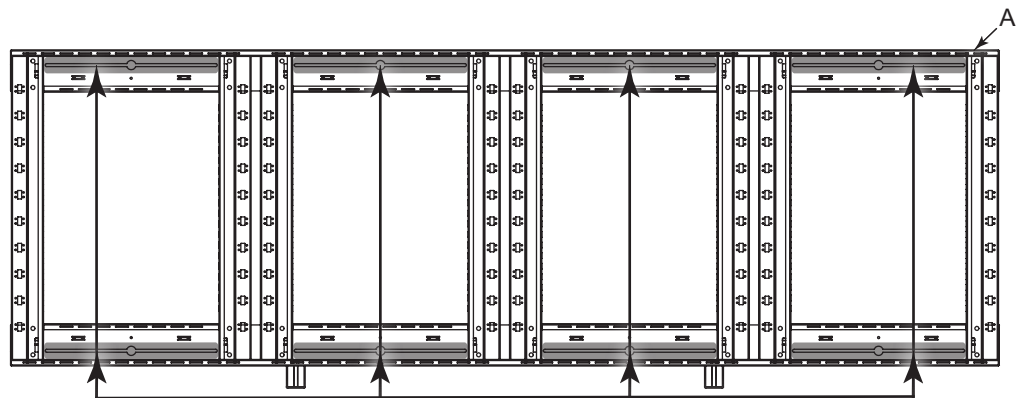
FIGURE C



Keyhole slot drilling locations (6x, shaded) on a 3-bay.

IF YOU ARE SECURING YOUR FRAME TO STUDS INSIDE OF THE WALL:

Carefully team lift your frame away from the wall and use a stud finder to mark keyhole slot drilling locations along top and bottom keyhole slot lines (drawn during step 2) as shown. (FIGURE C)



Keyhole slot drilling locations (8x, shaded) on a 4-bay.

NOTE: If you are not securing your frame into steel studs using the provided SNAPTOGGLE® anchors (C), and instead are going into wood studs, you must provide your own lag bolt hardware.



WARNING: Total keyhole slot locations specified in these instructions are the minimum anchor points required when securing the frame to the wall.

AVERTISSEMENT: Les emplacements de serrure totaux spécifiés dans ces instructions sont les points d'ancrage minimum requis lors de la fixation du cadre au mur.

ATTACHING YOUR FRAME USING THE DEFAULT INSTALLATION HEIGHT (CONTINUED)

4. The remaining sections of this topic show you how to attach your frame to your specific wall type when using the default (frame feet) installation height as follows:

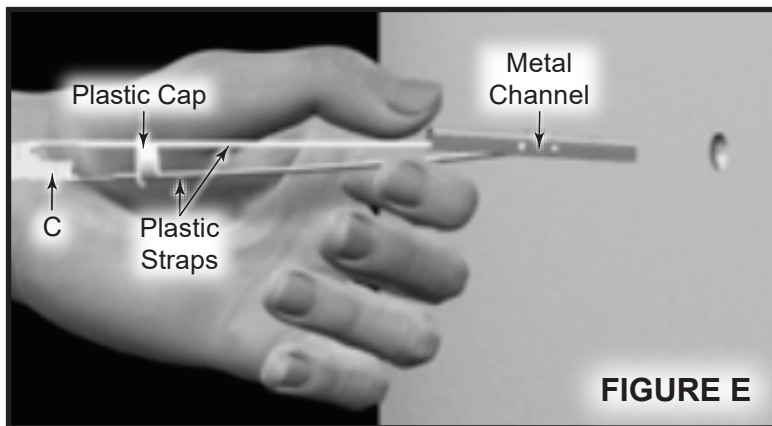
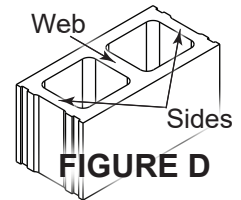
- “Attaching the Frame at Default Height to a Wall With Steel Studs or Cinderblocks” on page 8.
- “Attaching the Frame at Default Height to a Wall With Wood Studs” on page 9.
- “Attaching the Frame at Default Height to a Solid Concrete Wall” on page 9.

Attaching the Frame at Default Height to a Wall With Steel Studs or Cinderblocks

NOTE: Adjust torque on power driver to the “drill” setting.

1. Use power driver and ½” drill bit to drill holes in all the marked keyhole slot locations.

NOTE: If securing to cinderblocks, avoid drilling into webs and sides as shown. (FIGURE D)



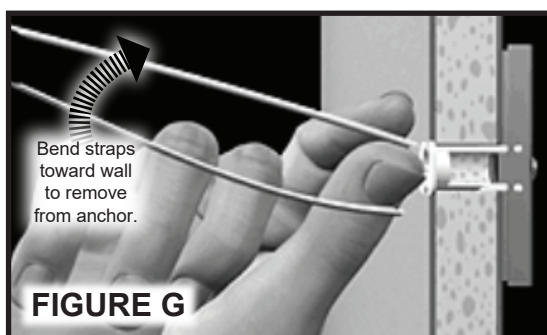
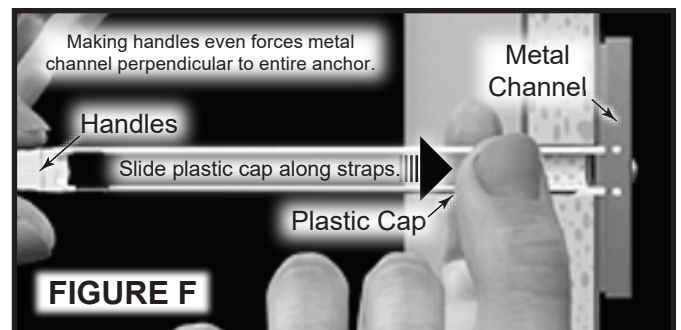
2. Insert SNAPTOGGLE® anchor (C) into a hole by holding the metal channel flat alongside the plastic straps and sliding the channel through the hole as shown. (FIGURE E)

3. Make the plastic strap handles even to force the metal channel perpendicular to the entire anchor. (FIGURE F)

4. Secure the anchor by firmly sliding the plastic cap along the straps until the flange of the cap is flush with the wall.

5. Snap off plastic straps from the anchor by carefully bending them toward the wall. (FIGURE G)

6. Repeat steps 2 - 5 to insert SNAPTOGGLE anchors (C) into all of your keyhole slot location holes drilled during step 1.



7. Carefully team lift your frame and place it on its feet and back in the desired location against the mounting wall.

NOTE: Adjust torque on power driver to lightest setting and only increase as necessary.

8. Use power driver and Phillips bit to screw ¼”-20 x 2½” bolts (D) and ¼” washers (E) through each keyhole slot on your frame and into each corresponding anchor.

ATTACHING YOUR FRAME USING THE DEFAULT INSTALLATION HEIGHT (CONTINUED)

Attaching the Frame at Default Height to a Wall With Wood Studs

NOTE: Adjust torque on power driver to the “drill” setting.

1. Use power driver and 3/32” drill bit to drill holes in all the marked keyhole slot locations hitting the wall studs each time for proper support.
2. Carefully team lift your frame (A) and place it on its feet and back in the desired location against the mounting wall.

NOTE: Adjust torque on power driver to lightest setting and only increase as necessary.

3. Use power driver and Phillips bit to screw ¼” x 2½” lag bolts (not provided) and ¼” washers (E) through each keyhole slot and into each hole.

Attaching the Frame at Default Height to a Solid Concrete Wall

NOTE: When securing your frame (A) to a solid concrete wall, you must provide your own concrete anchors that support the weight ratings specified in “Weight Ratings” on page 5.

Secure your frame (A) to a solid concrete wall by using a procedure similar to “Attaching the Frame at Default Height to a Wall With Steel Studs or Cinderblocks” on page 8.

HANGING YOUR FRAME USING A CUSTOM INSTALLATION HEIGHT

NOTE:

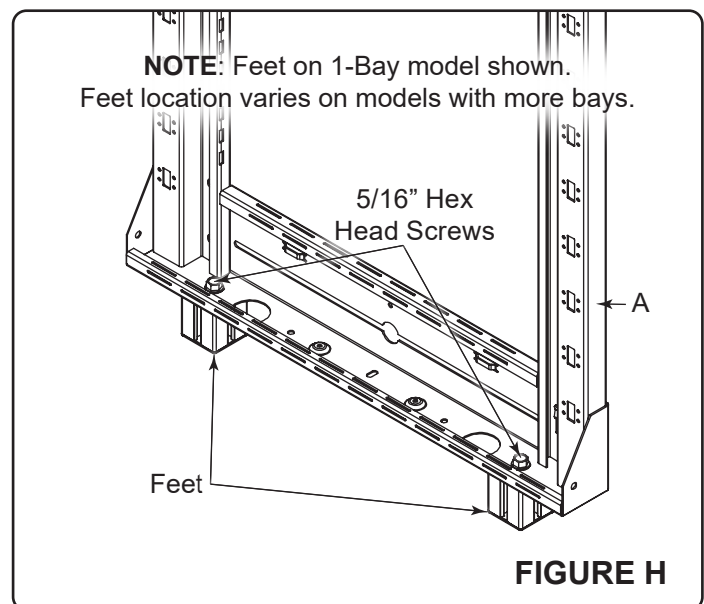
- If your installation includes a display mount option (C3-XX-LDXU), you must attach your frame (A) to the wall using the default (frame feet) installation height. For more information, see “Attaching Your Frame Using the Default (Frame Feet) Installation Height” on page 6.
- Adjust torque on power driver to lightest setting and only increase as necessary.

1. Use power driver and ½” socket to remove 5/16” hex head screws and feet from the bottom of your frame (A) as shown. **(FIGURE H)**

NOTE: Your credenza’s bottom clearance (beneath the lower edge of the woodkit) must be at least 1” (25 mm) for proper air intake.

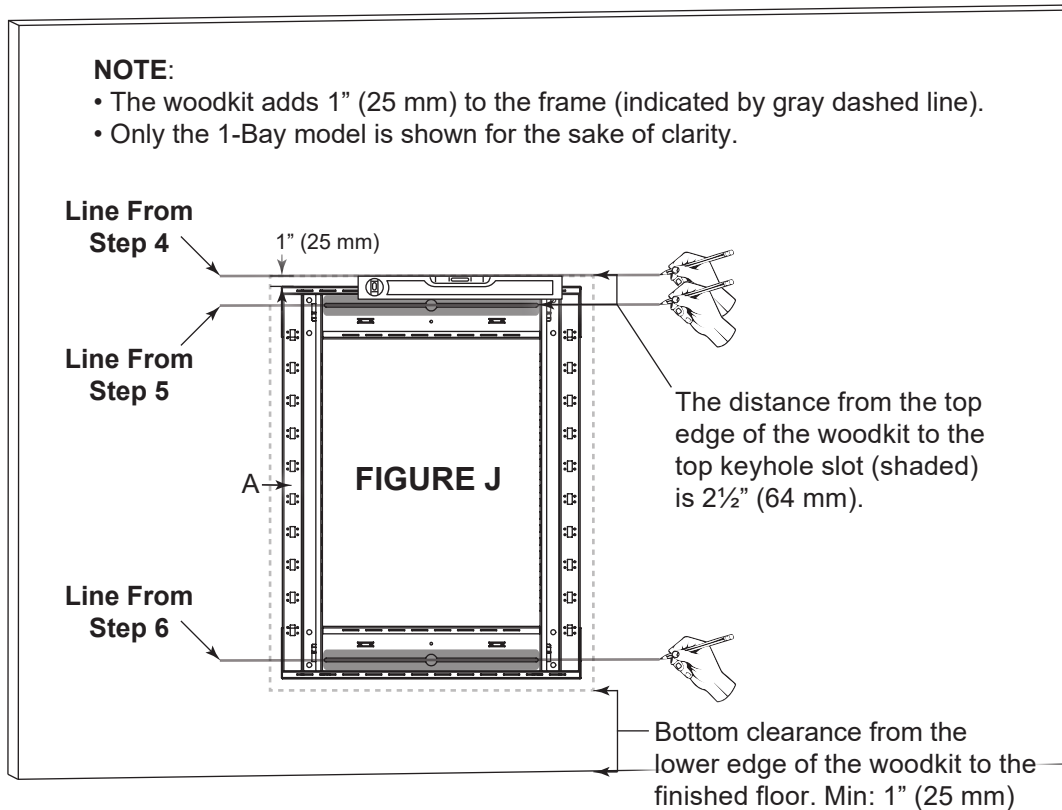
This means that the minimum height (to the top edge of your woodkit) of your credenza when mounted to the wall is:

- 25” (635 mm) for the 24” (610 mm) model.
- 33” (838 mm) for the 32” (813 mm) model.



HANGING YOUR FRAME USING A CUSTOM INSTALLATION HEIGHT (CONTINUED)

- Keeping the previous note in mind, select your desired overall height (from the finished floor to the top edge of your woodkit) and use a pencil and level to draw a horizontal line (approximately as wide as your frame, A) on the wall as shown. **(FIGURE J)**
- Measure down $2\frac{1}{2}$ " (64 mm) from your desired overall height and use pencil and level to draw another horizontal line on your wall. This line is used for your top keyhole slot(s) as shown (shaded).
- Use pencil and level to draw a third horizontal line on your wall for your bottom keyhole slot(s) by measuring down from your specific frame height as follows:
 - For 24" frames, measure down 19" (482 mm).
 - For 32" frames, measure down 27" (685 mm).



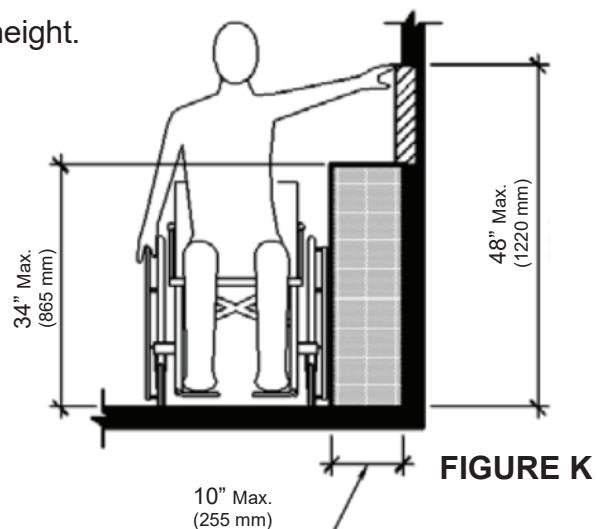
NOTE:

- Consider the ADA requirement of a 34" (865 mm) maximum height. **(FIGURE K)**

For more information, refer to the ADA Standards for Accessible Design at:

<https://www.ada.gov>

- Also, consider power receptacles on the wall and power requirements when positioning your frame.



HANGING YOUR FRAME USING A CUSTOM INSTALLATION HEIGHT (CONTINUED)

5. For each bay on your frame, use a pencil and mark top and bottom keyhole slot drilling locations based on your specific wall installation as follows:

IF YOU ARE SECURING YOUR FRAME TO A WALL OF CINDERBLOCK OR CONCRETE:

Use the images on this page as a reference to mark your desired keyhole slot drilling locations along top and bottom keyhole slot lines (drawn during steps 5 and 6). (FIGURE L)

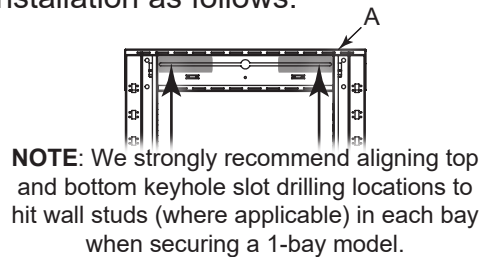
NOTE: If you are not securing your frame into cinderblocks using the provided SNAPTOGGLE® anchors (C), and instead are going into a solid concrete wall, you must provide your own concrete anchor hardware that supports the weight ratings specified in “Weight Ratings” on page 5.

IF YOU ARE SECURING YOUR FRAME TO STUDS INSIDE OF THE WALL:

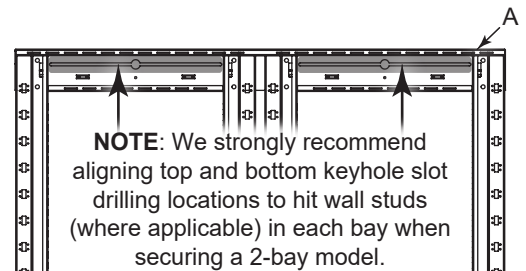
Use a stud finder along with the images on this page as a reference to mark keyhole slot drilling locations along top and bottom keyhole slot lines (drawn during steps 5 and 6). (FIGURE L)

NOTE:

- We strongly recommend aligning top and bottom keyhole slot drilling locations to hit wall studs for proper support.
- If you are not securing your frame into steel studs using the provided SNAPTOGGLE® anchors (C), and instead are going into wood studs, you must provide your own lag bolt hardware that meets the appropriate weight ratings specified in “Weight Ratings” on page 5.

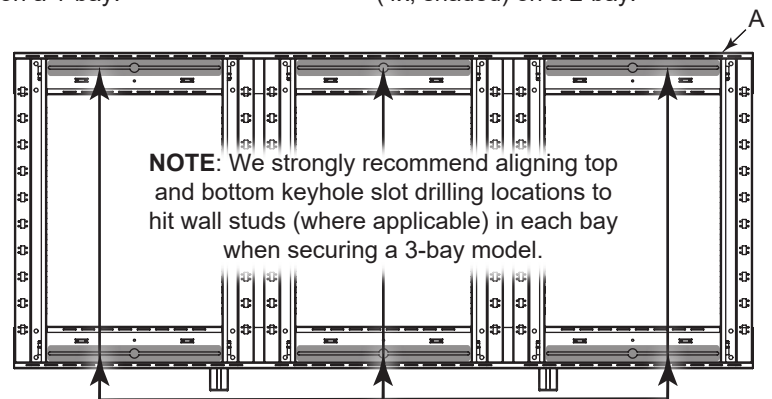


Keyhole slot drilling locations (4x, shaded) on a 1-bay.

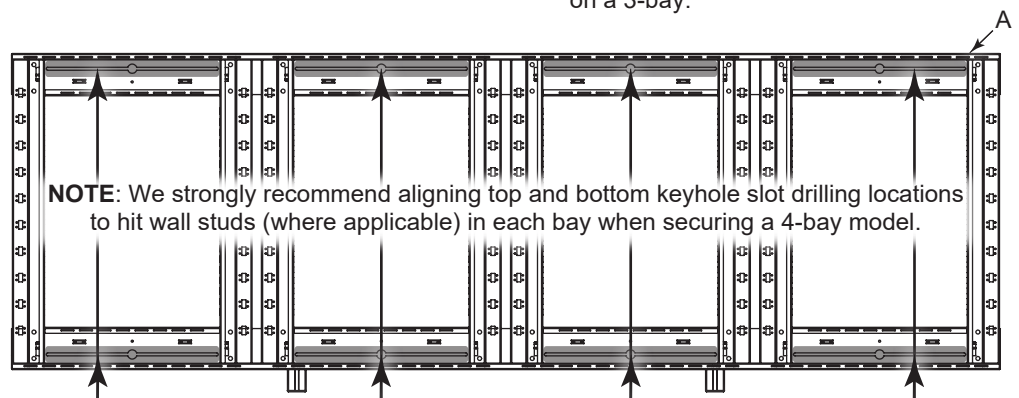


Keyhole slot drilling locations (4x, shaded) on a 2-bay.

FIGURE L



Keyhole slot drilling locations (6x, shaded) on a 3-bay.



Keyhole slot drilling locations (8x, shaded) on a 4-bay.



WARNING: Total keyhole slot locations specified in these instructions are the minimum anchor points required when securing the frame to the wall.

AVERTISSEMENT: Les emplacements de serrure totaux spécifiés dans ces instructions sont les points d'ancrage minimum requis lors de la fixation du cadre au mur.

HANGING YOUR FRAME USING A CUSTOM INSTALLATION HEIGHT (CONTINUED)

6. The remaining sections of this topic show you how to attach your frame (A) to your specific wall type when using a custom installation height as follows:

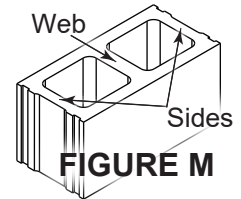
- “Securing the Frame at Custom Height to a Wall With Steel Studs or Cinderblocks” on page 12.
- “Securing the Frame at Custom Height to a Wall With Wood Studs” on page 13.
- “Securing the Frame at Custom Height to a Solid Concrete Wall” on page 13.

NOTE: If your installation requires additional measurements and frame details, refer to the technical specification (120-00022) at www.middleatlantic.com.

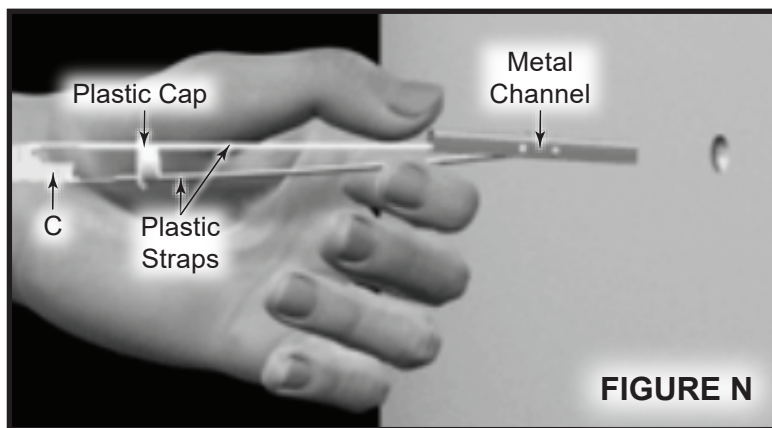
Securing the Frame at Custom Height to a Wall With Steel Studs or Cinderblocks

NOTE: Adjust torque on power driver to the “drill” setting.

1. Use power driver and ½” drill bit to drill holes in all the marked keyhole slot locations. We strongly recommend you hit wall studs (where applicable) for proper support.

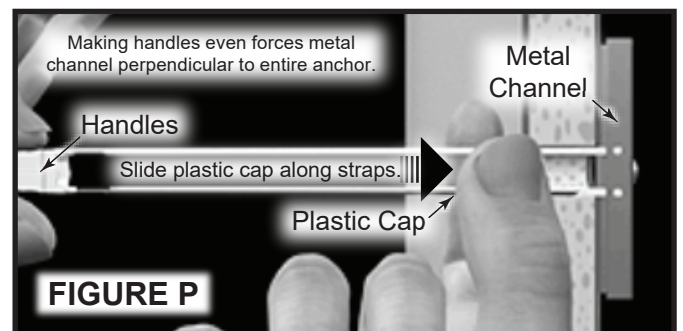


NOTE: If securing to cinderblocks, avoid drilling into webs and sides as shown. (FIGURE M)



2. Insert SNAPTOGGLE® anchor (C) into a hole by holding the metal channel flat alongside the plastic straps and sliding the channel through the hole as shown. (FIGURE N)

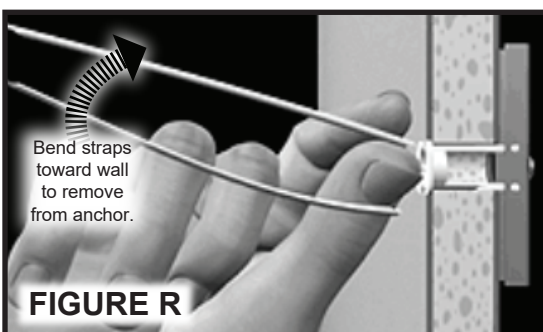
3. Make the plastic strap handles even to force the metal channel perpendicular to the entire anchor. (FIGURE P)



4. Secure the anchor by firmly sliding the plastic cap along the straps until the flange of the cap is flush with the wall.

5. Snap off plastic straps from the anchor by carefully bending them toward the wall. (FIGURE R)

6. Repeat steps 2 - 5 to insert SNAPTOGGLE anchors (C) into all of your keyhole slot location holes drilled during step 1.



NOTE: Adjust torque on power driver to lightest setting and only increase as necessary.

7. Use power driver and Phillips bit to partially screw a ¼”-20 x 2½” bolt (D) and ¼” washer (E) ¾ of the way into the top right or left anchor (leaving approximately ¼” (6 mm) of the bolt protruding from the wall).

HANGING YOUR FRAME USING A CUSTOM INSTALLATION HEIGHT (CONTINUED)

Securing the Frame at Custom Height to a Wall With Steel Studs or Cinderblocks (Continued)

8. Team lift your frame (A) and work the bolt and washer on the wall through the top keyhole on the corresponding side of the frame.
9. Using the bolt as an anchor point, carefully slide the frame upward until the anchors on the wall align with their corresponding keyhole slots. Then use the power driver and Phillips bit to screw another $\frac{1}{4}$ "-20 x $2\frac{1}{2}$ " bolt (D) and $\frac{1}{4}$ " washer (E) through the top keyhole slot and into the wall anchor on the opposite side of the frame.
10. Place a level on the top center of your frame and make any final adjustments before carefully screwing the rest of the bolts through washers, remaining keyhole slots on your frame, and into the anchors on the wall. Do not overtighten.

Securing the Frame at Custom Height to a Wall With Wood Studs

NOTE: Adjust torque on power driver to the "drill" setting.

1. Use power driver and $\frac{3}{32}$ " drill bit to drill holes in all the marked keyhole slot locations hitting the wall studs each time for proper support.

NOTE: Adjust torque on power driver to lightest setting and only increase as necessary.

2. Use a $\frac{7}{16}$ " socket to partially screw a $\frac{1}{4}$ " x $2\frac{1}{2}$ " lag bolt (not provided) and a $\frac{1}{4}$ " washer (E) $\frac{3}{4}$ of the way into the top right or left hole (leaving approximately $\frac{1}{4}$ " (6 mm) of the bolt protruding from the wall).
3. Team lift your frame (A) and work the bolt and washer on the wall through the top keyhole on the corresponding side of the frame.
4. Using the bolt as an anchor point, carefully slide the frame upward until the holes on the wall align with their corresponding keyhole slots. Then, use the power driver and socket to screw another $\frac{1}{4}$ " x $2\frac{1}{2}$ " lag bolt (not provided) and a $\frac{1}{4}$ " washer (E) through the top keyhole slot and into the hole on the opposite side of the frame.
5. Place a level on the top center of your frame and make any final adjustments before carefully screwing the rest of the lag bolts (not provided) through washers, remaining keyhole slots on your frame, and into the holes on the wall. Do not overtighten.

Securing the Frame at Custom Height to a Solid Concrete Wall

NOTE: When securing your frame (A) to a solid concrete wall, you must provide your own concrete anchors that support the weight ratings specified in "Weight Ratings" on page 5.

Secure your frame (A) to a solid concrete wall by using a procedure similar to "Securing the Frame at Custom Height to a Wall With Steel Studs or Cinderblocks" on page 12.

UNDERSTANDING NEXT STEPS

As mentioned in the introduction, after correctly securing your frame to the wall, the next steps of your installation depend on the various options and kits you may have purchased for your credenza. They are referenced in corresponding instruction sheets and the procedures are done in the following order.

1. Refer to the following instruction sheets to install the C3 Series options you may have purchased for your credenza.
 - C3 Series Display Mount Option (C3-XX-LDXU) Instruction Sheet (100-00034)
 - C3 Series Slide-Out Rack Option (C3-TECHKIT4-SO) Instruction Sheet (100-00036)
 - C3 Series Fixed Rack Option (C3-TECHKIT4-ST) Instruction Sheet (100-00037)
 - C3 Series Shelf Option (C3-SHELFKIT) Instruction Sheet (100-00038)
2. Refer to the C3 Series WoodKit instruction sheet (100-00040) and perform the installation.
3. If you purchased a fan kit, refer to C3 Series Fan Kit (C3-FANKIT) instruction sheet (100-00039) and perform the installation.
4. If you purchased a large cover option (for your purchased display mount option), refer to the C3 Series Display Mount Large Cover Option instruction sheet (100-00035) and perform the installation.

NOTE:

- Kits and options other than the fan kit and large cover option should be installed before your woodkit is attached to the frame.
- Attaching your display(s) (display(s) not included) to the horizontal extrusion of the display mount option (C3-XX-LDXU, if purchased) must be done as the final part of your C3 installation process. For more information, refer to "Attaching Your Display to the Horizontal Extrusion" on page 11 of the C3 Series Display Mount Option (C3-XX-LDXU) Instruction Sheet (100-00034).

WARRANTY

For warranty information, refer to <http://www.middleatlantic.com/company/about-us.aspx#warranty>

Corporate Headquarters

Voice: 973-839-1011 - Fax: 973-839-1976 - International Voice: +1 973-839-8821 -
Fax: +1 973-839-4982 - www.middleatlantic.com - info@middleatlantic.com

Middle Atlantic Canada

Voice: 613-836-2501 - Fax: 613-836-2690 - ca.middleatlantic.com -
customerservicecanada@middleatlantic.ca

Middle Atlantic EMEA Technical Support

Voice: +31 (0) 495 726002 - av.emea.middleatlantic.support@legrand.com

Factory Distribution

United States: New Jersey, California, Illinois - Canada: Ontario - The Netherlands: Weert

At Middle Atlantic Products we are always listening. Your comments are welcome.

Middle Atlantic Products is an ISO 9001 and ISO 14001 Registered Company.