

INSTRUCTION SHEET

C3 SERIES

DISPLAY MOUNT OPTION (C3-XX-LDXU)



NOTE: A 1-Bay C3 credenza with a display mount option (C3-XX-LDXU) configured for a single displays (display not included) shown.

THANK YOU

Thank you for purchasing a C3 Series Display Mount option. Please read these instructions thoroughly before installing or assembling this product.

**MIDDLE
ATLANTIC**

A brand of **Legrand**

100-00034

Rev C

IMPORTANT SAFETY INSTRUCTIONS - EN

- Read these instructions.
- Heed all warnings.
- Clean only with dry cloth.
- Keep these instructions.
- Follow all instructions.
- Only use attachments/accessories specified by the manufacturer.



DANGER HAZARDOUS VOLTAGE: The lightning flash with the arrowhead symbol, within an equilateral triangle is intended to alert the user to the presence of uninsulated dangerous voltage within the product's enclosure that may be of sufficient magnitude to constitute a risk of electric shock to persons.



WARNING: A warning alerts you to a situation that could result in serious personal injury or death.



CAUTION: A caution alerts you to a situation that may result in minor personal injury or damage to the product and/or property.

NOTE: A note is used to highlight procedures pertaining to the installation, operation, or maintenance of the product.



WARNING: Failure to read, understand and follow the following information can result in serious personal injury, damage to the equipment or voiding of the warranty. It is the responsibility of the Installer/User to ensure that this product is loaded according to specifications.



WARNING: Middle Atlantic Products, electrical systems conform to and should be properly grounded in compliance with requirements of the current National Electrical Code or codes administered by local authorities. All electrical products may present a possible shock or fire hazard if improperly installed or used. Electrical products may bear the mark of a Nationally Recognized Testing Laboratory (NRTL) and should be installed in conformance with current local and/or the National Electrical Code.



WARNING: Exceeding the weight ratings listed can result in serious injury or damage to the equipment. It is the responsibility of the Installer/User to ensure the components installed do not surpass the weight ratings as an unstable condition can occur which may cause possible injury or damage.



CAUTION: If there is visible damage on the product, it must not be installed.



CAUTION: Safety measures must be practiced at all times during the assembly of this product. Use proper safety equipment and tools for the assembly procedure to prevent personal injury.



CAUTION: Note that during construction, there must be no possibility of personal injury, for example the squeezing of fingers or arms.



CAUTION: For loading, always put heavier items at the bottom of the bays, not near the top, in order to help prevent the possibility of the furnishing tipping over.



CAUTION: The appliance is not intended for use by young children or infirm persons without supervision.

Safety Instructions: Rack Mount

Elevated Operating Ambient: If installed in a closed or multi-unit rack assembly, the operating ambient temperature of the rack environment may be greater than room ambient. Therefore, consideration should be given to installing the equipment in an environment compatible with the maximum ambient temperature (T_{ma}) specified by the manufacturer.

Reduced Air Flow: Installation of the equipment in a rack should be such that the amount of air flow required for safe operation of the equipment is not compromised.

Mechanical Loading: Mounting of the equipment in the rack should be such that a hazardous condition is not achieved due to uneven mechanical loading.

Circuit Overloading: Consideration should be given to the connection of the equipment to the supply circuit and the effect that overloading of the circuit might have on overcurrent protection and supply wiring. Appropriate consideration of equipment nameplate ratings should be used when addressing this concern.

Reliable Earthing: Reliable earthing of rack-mounting equipment should be maintained. Particular attention should be given to supply connections other than direct connections to the branch circuit (e.g. use of power strips).

Disconnect Device (Pluggable Equipment): The socket-outlet shall be installed near the equipment and shall be easily accessible.

INSTRUCTIONS IMPORTANTES SUR LA SÉCURITÉ - FR

- Lire ces instructions.
- Respectez tous les avertissements.
- Nettoyer uniquement avec un chiffon sec.
- Conservez ces instructions.
- Suivez toutes les instructions.
- N'utilisez que des accessoires spécifiés par le fabricant.



DANGER TENSION DANGEREUSE: Le symbole de la pointe de flèche, dans un triangle équilatéral, est destiné à alerter l'utilisateur sur la présence de tension dangereuse non isolée dans l'enceinte du produit qui peut être d'une ampleur suffisante pour constituer un risque d'électrocution.



AVERTISSEMENT: Un avertissement vous avertit d'une situation pouvant entraîner des blessures graves ou la mort.



ATTENTION: Une attention vous avertit d'une situation pouvant entraîner des blessures mineures ou des dommages au produit et/ou à la

REMARQUE: Une remarque est utilisée pour mettre en évidence les procédures relatives à l'installation, au fonctionnement ou à l'entretien du produit.



AVERTISSEMENT: Refus de lire, comprendre et suivre la renseignements suivants peut traduire par de graves blessures, des dommages à l'équipement ou invalider la garantie. Il est la responsabilité de l'installateur/utilisateur de s'assurer que ce produit est chargé conformément aux spécifications.



AVERTISSEMENT: Les produits Middle Atlantic, les systèmes électriques sont conformes et doivent être correctement mis à la terre conformément aux exigences du Code national de l'électricité en vigueur ou aux codes administrés par les autorités locales. Tous les produits électriques peuvent présenter un risque d'électrocution ou d'incendie s'ils sont mal installés ou utilisés. Les produits électriques peuvent porter la marque d'un laboratoire d'essais reconnu au niveau national (NRTL) et doivent être installés conformément au code électrique local et/ou national en vigueur.



AVERTISSEMENT: Le dépassement des poids nominaux indiqués peut entraîner des blessures graves ou des dommages à l'équipement. C'est l'responsabilité de l'installateur/utilisateur de s'assurer que les composants installé ne dépassent pas les notes de poids comme un instable condition peut se produire qui peut causer des blessures ou dommages.



ATTENTION: S'il ya des dommages visibles sur le produit, il ne doit pas être installé.



ATTENTION: Des mesures de sécurité doivent être mises en œuvre en tout temps lors de l'assemblage de ce produit. Utiliser un équipement et des outils de sécurité appropriés pour la procédures de afin d'éviter les blessures.



ATTENTION: Notez que pendant la construction, il ne doit pas y avoir de risque de blessure, comme par exemple le écraser des doigts ou des bras.



ATTENTION: Pour le chargement, placez toujours des articles plus lourds au bas des baies, pas près du sommet, afin d'éviter la possibilité de basculement de l'ameublement.



ATTENTION: L'appareil n'est pas destiné à être utilisé par des enfants en bas âge ou des personnes infirmes sans surveillance.

Consignes de sécurité: montage en rack

Température de fonctionnement élevée: Si installé dans un rack fermé ou à unités multiples, la température ambiante de fonctionnement de l'environnement du rack peut être supérieure à ambiante de la pièce. Par conséquent, il faudrait envisager d'installer l'équipement dans un environnement compatible avec la température ambiante maximale (T_{ma}) spécifiée par le constructeur.

Réduction Air accréditives: Installation de l'équipement dans un rack doit être telle que la quantité de flux d'air nécessaire au bon fonctionnement de l'équipement ne soit pas compromise.

Chargement mécanique: Le montage de l'équipement dans le rack doit être telle qu'une condition dangereuse ne lié à un chargement mécanique irrégulier.

Surcharge des circuits: Il faudrait envisager à la connexion de l'équipement au circuit d'alimentation et l'effet que la surcharge du circuit pourrait avoir sur la protection contre les surintensités et le câblage d'alimentation. Examen approprié des équipements évaluations de la plaque signalétique doit être utilisée pour traiter de cette préoccupation.

Mise à la terre fiable: Fiable mise à la terre de l'équipement de montage en rack doit être maintenue. Une attention particulière devrait être accordée aux connexions d'alimentation autres que les connexions directes vers le circuit de dérivation (par exemple de l'utilisation de bandes de puissance).

Appareil Disconnect (Équipement Pluggable): La prise de courant doit être installée à proximité du matériel et doit être facilement accessible.

WEIGHT RATINGS

Model Number	Weight Rating
C3 1-Bay 24" (610 mm) and 32" (813 mm) Height	50 lbs. (23 kg) Per Bay, 10 lbs. (5 kg) On Top, 100 lbs. (45 kg) Maximum Total Rated Load
C3 2-Bay 24" (610 mm) and 32" (813 mm) Height	50 lbs. (23 kg) Per Bay, 20 lbs. (9 kg) On Top, 200 lbs. (91 kg) Maximum Total Rated Load
C3 3-Bay 24" (610 mm) and 32" (813 mm) Height	50 lbs. (23 kg) Per Bay, 30 lbs. (14 kg) On Top, 300 lbs. (136 kg) Maximum Total Rated Load
C3 4-Bay 24" (610 mm) and 32" (813 mm) Height	50 lbs. (23 kg) Per Bay, 40 lbs. (18 kg) On Top, 400 lbs. (181 kg) Maximum Total Rated Load
Slide-Out Rack Option (C3-TECHKIT4-SO)	50 lbs. (23 kg) Maximum Total Rated Load
Fixed Rack Option (C3-TECHKIT4-ST)	50 lbs. (23 kg) Maximum Total Rated Load
Shelf Kit Option (C3-SHELFKIT, Weight Per Shelf)	30 lbs. (14 kg) Maximum Total Rated Load
Display Mount Option (C3-XX-LDXU, Weight Per Screen)	150 lbs. (68 kg) Maximum Total Rated Load



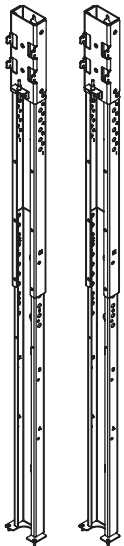
WARNING: This product is intended for use only with the products and maximum weights indicated. Use with other products or products heavier than the maximum weights indicated may result in instability causing possible injury. Total equipment weight must not exceed the amounts indicated on the previous table.



AVERTISSEMENT: Ce produit est destiné à être utilisé uniquement avec les produits et les poids maximum indiqués. L'utilisation avec d'autres produits ou produits plus lourds que le poids maximum indiqué peut entraîner une instabilité pouvant causer des blessures. Le poids total de l'équipement ne doit pas dépasser les quantités indiquées dans le tableau précédent.

SUPPLIED COMPONENTS AND HARDWARE

If any pieces are missing or damaged, please report it immediately to Technical Support at av.support@legrand.com or (866) 977-3901.



Upright Pair
A



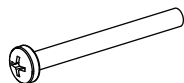
(4x)
1/4"-20 x 3/8"
PMSCREW Hex Head Thread
Forming Screw
B



(5x)
SNAPTGGLE® Anchor
C



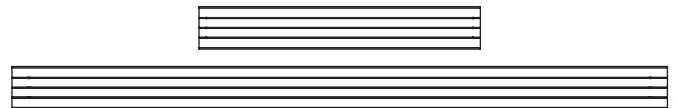
(4x)
10-32
Flange Nut
D



(4x)
1/4"-20 x 2 1/2" Bolt
E

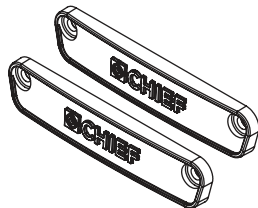


(4x)
1/4" Washer
F



Horizontal Extrusion
G

Single or Dual Display	Width
Single	36" (914 mm)
Dual	96" (2,438 mm)

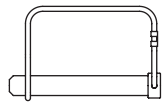


Extrusion End Cap Pair
H



(4x)
1/4"-20 x 1/2"
Pan Head Phillips Thread
Tapping End Cap Screws
J

SUPPLIED COMPONENTS AND HARDWARE (CONTINUED)



(4x)
5/16" x 3 1/2"
Square Single Wire
Snap Pin
K



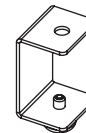
(2x)
5/16"-18 x 1/2" Flush
Head Self-Clinching Stud
L

Model Number	Qty.
C3-24-LD1U	2
C3-32-LD1U	2
C3-24-LD2U	4
C3-32-LD2U	4



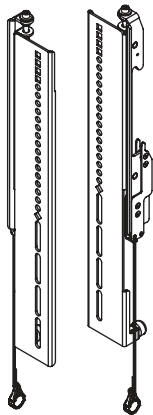
(2x)
5/16"-18 Flange Nut
M

Model Number	Qty.
C3-24-LD1U	2
C3-32-LD1U	2
C3-24-LD2U	4
C3-32-LD2U	4



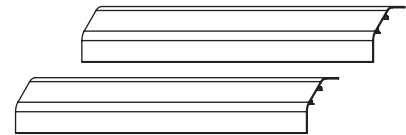
Interface
Standoff Bracket
N

Model Number	Qty. (Number of Pairs)
C3-24-LD1U	2
C3-32-LD1U	2
C3-24-LD2U	4
C3-32-LD2U	4



Interface Pair
P

Single or Dual Display	Qty. (Number of Pairs)
Single (C3-24-LD1U and C3-32-LD1U)	1 Pair
Dual (C3-24-LD2U and C3-32-LD2U)	2 Pairs



Upright Cover Pair
R

Frame Height	Cover Height
24" (610 mm)	26.5" (673 mm)
32" (813 mm)	18.5" (470 mm)

INTERFACE HARDWARE (9900-002248)

NOTE: Two sets of the following interface hardware (9900-002248) are provided for dual display installations.



(4x)
M4 x 12mm
Pan Head Screw
IH-A



(4x)
M4 x 20mm
Pan Head Screw
IH-B



(4x)
M4 x 25mm
Pan Head Screw
IH-C



(4x)
M5 x 12mm
Pan Head Screw
IH-D



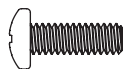
(4x)
M5 x 20mm
Pan Head Screw
IH-E



(4x)
M5 x 25mm
Pan Head Screw
IH-F



(4x)
M6 x 12mm
Pan Head Screw
IH-G



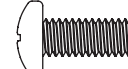
(4x)
M6 x 20mm
Pan Head Screw
IH-H



(4x)
M6 x 25mm
Pan Head Screw
IH-J



(4x)
M8 x 12mm
Pan Head Screw
IH-K



(4x)
M8 x 20mm
Pan Head Screw
IH-L



(4x)
M8 x 30mm
Pan Head Screw
IH-M



(8x)
Spacer
IH-N



(4x)
Washer
IH-P

NOTE:

- To order more hardware, contact support at av.support@legrand.com or (866) 977-3901.
- Additional hardware is included that may not be required for your installation.

REQUIRED TOOLS

- Protective Eyewear
- Level
- #2 Phillips Screwdriver
- Electric Drill
- $\frac{3}{8}$ " Socket
- #2 Phillips Bit
- $\frac{1}{2}$ " Wrench



WARNING: Use tools with caution and follow all necessary safety protocols.

AVERTISSEMENT: Utiliser des outils avec prudence et suivre tous les protocoles de sécurité nécessaires.

INTRODUCTION

NOTE:

- Only use this instruction sheet to install your C3 Series Display Mount option after you refer to the C3 Series Credenza Frame instruction sheet (100-00032) and secure your frame to the wall using the default (frame feet) installation height.
- Do not use the display mount option (C3-XX-LDXU) if your installation requires the credenza mounted at a specific height and you cannot use the default (frame feet) installation height.
- If your installation includes a purchased fan kit and/or a large cover option (for your display option), after installing this and the other options you may have purchased for your credenza, refer to the C3 Series WoodKit instruction sheet (100-00040) to install your woodkit, and then refer to the C3 Series Fan Kit (C3-FANKIT) instruction sheet (100-00039) and/or C3 Series Display Mount Large Cover Option instruction sheet (100-00035) to install your fan kit and/or your large cover option, respectively. Kits and options other than the fan kit and large cover option should be installed before your woodkit is attached to the frame
- Attaching display(s) (display(s) not included) to the horizontal extrusion must be done as the final part of your C3 installation process. For more information, see "Attaching Display(s) to the Horizontal Extrusion" on page 11.
- Instruction sheets may also be accessed at www.legradav.com.

SETTING MACRO DISPLAY HEIGHT ON YOUR UPRIGHT PAIR

NOTE:

- Each upright includes the following pieces: pre-assembled lower portions comprised of inner posts and outer sleeves, and horizontal mounts at the tops as shown. (**FIGURE A**)

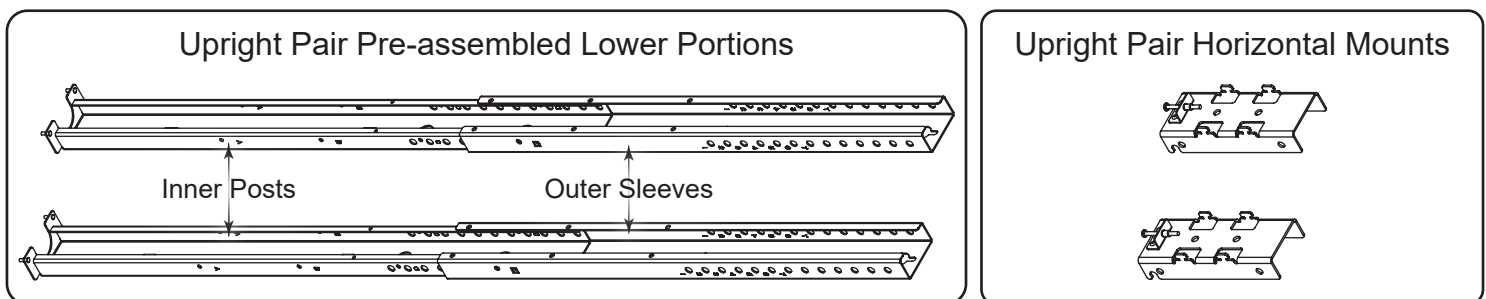
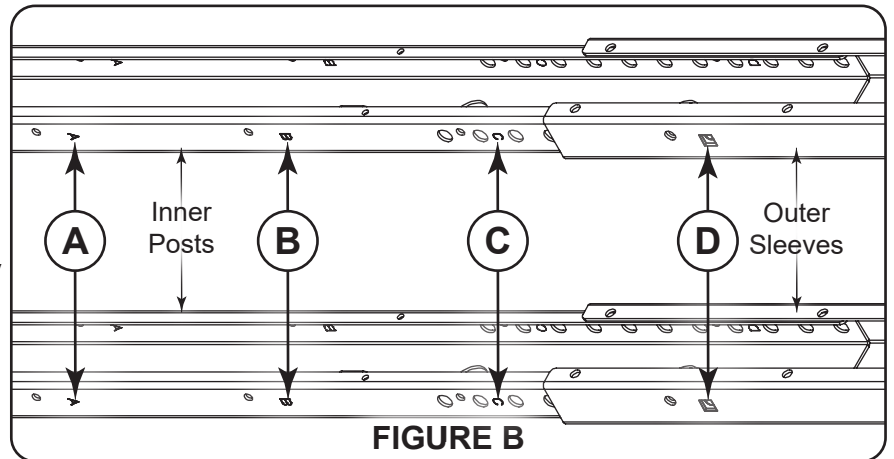


FIGURE A

SETTING MACRO DISPLAY HEIGHT ON YOUR UPRIGHT PAIR (CONTINUED)

- There are 4 macro display height intervals labeled A, B, C, and D, along the inner post of each upright. **(FIGURE B)**
- Each macro display height interval is spaced 6" (152 mm) apart.



1. Start determining which macro display height interval (A, B, C, or D) you should use in order to properly accommodate your display(s) by carefully considering measurements described on the next page.

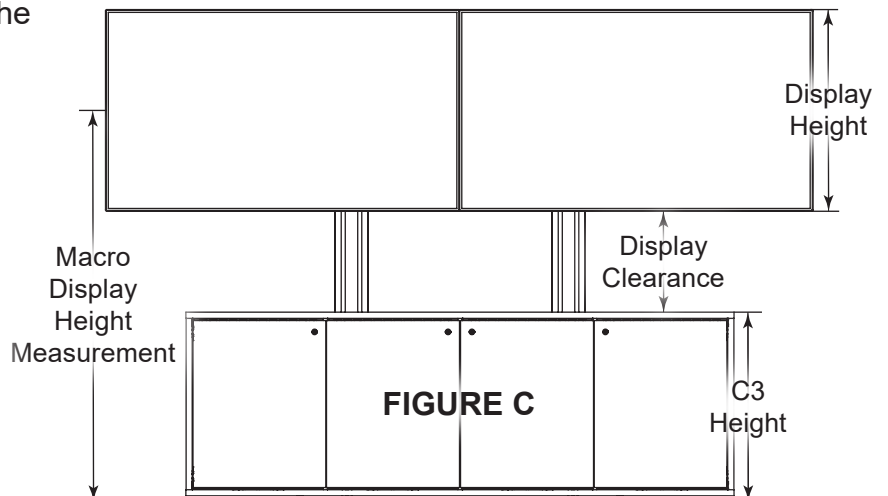
- Refer to the information provided with your display(s) to get an accurate display height measurement as shown. **(FIGURE C)**
- Take your accurate display height measurement along with your C3 height (either 32" (813 mm) or 24" (610 mm)) and make sure your selected macro display height interval provides adequate display clearance after reviewing the specific 6" (152 mm) upright pair height range on the table provided.

Macro Display Label	Height Range of Upright Pair
A	51" (1295 mm) to 57" (1447 mm)
B	57" (1447 mm) to 63" (1600 mm)
C	63" (1600 mm) to 69" (1752 mm)
D	69" (1752 mm) to 75" (1905 mm)

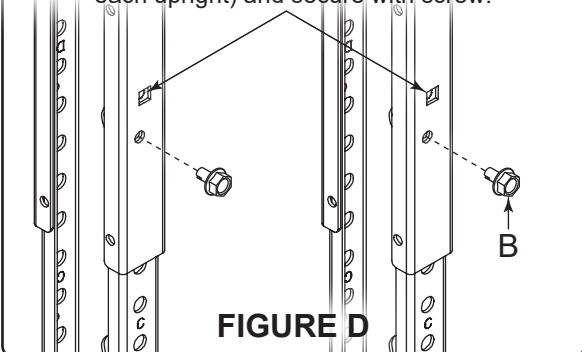
NOTE: Large Cover option (C3-XX-XCVR-BK) does not fit from 51" (1295 mm) to 53" (1346 mm).

NOTE:

- A 4-Bay C3 credenza with a display mount option (C3-XX-LDXU) configured for dual displays (displays not included) shown.
- Although not installed yet in the overall procedure, the woodkit is shown on the frame for an accurate credenza height, display clearance, and provide a general idea of the look your display mount provides.



Slide until desired macro height letter shows through square opening on the outer sleeve (same letter on each upright) and secure with screw.



2. Slide the inner post through the outer sleeve on one of the uprights until your desired macro height letter shows through the square opening (the same letter for each upright) on the outer sleeve as shown. **(FIGURE D)**
3. Use electric drill, $\frac{3}{8}$ " socket, and a $\frac{1}{4}$ "-20 x $\frac{3}{8}$ " hex head thread forming screw (B) to secure each upright to your selected macro height letter.

ATTACHING UPRIGHT PAIR TO THE FRAME AND YOUR WALL

NOTE:

- Each upright is attached to specific frame locations based on single or dual display installation.
- All models support single display installation.
- Only 3- and 4-Bay models support dual display installation.

1. Use the following figure to determine where to attach each upright to your frame for single or dual display installation. (**FIGURE E**)

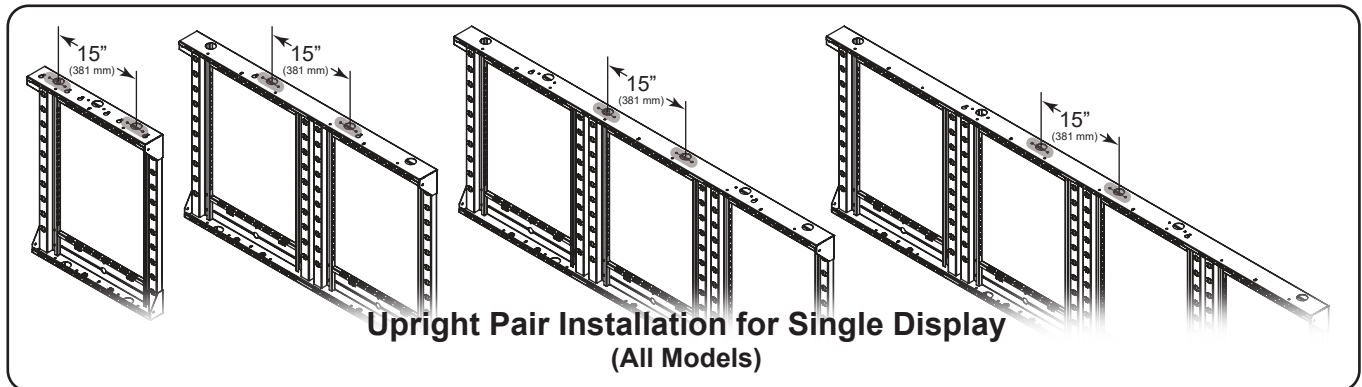
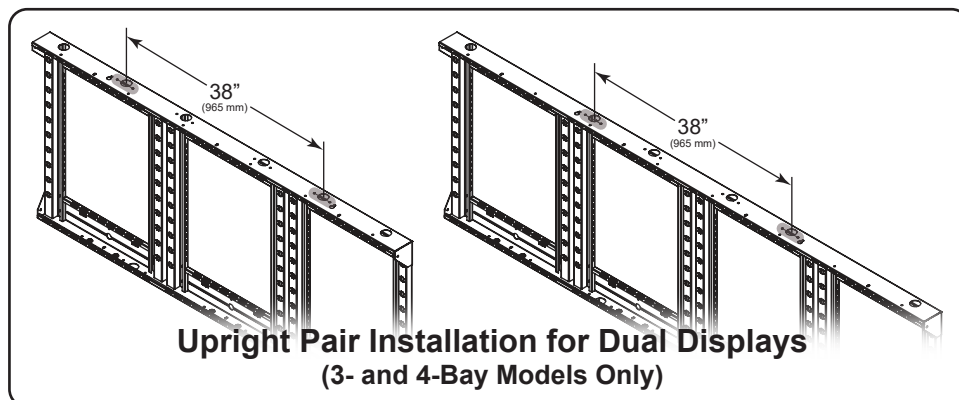


FIGURE E



2. Insert the studs on the bottom (inner post) on both of the macro height secured uprights into the holes on the top of the frame and place them against your wall.
3. Use level to ensure the uprights are vertically aligned on your wall before proceeding to step 4 and marking the wall inside the top slots of the 4 upper keyholes on the uprights.

ATTACHING UPRIGHT PAIR TO THE FRAME AND YOUR WALL (CONTINUED)

4. Use a pencil and mark your wall inside the top slots of the 4 upper keyholes on the uprights (A) as shown. **(FIGURE F)**
5. Remove the uprights from your frame and wall.

NOTE: Adjust torque on electric drill to the “drill” setting.

6. Use electric drill and ½” drill bit to drill holes in the marked locations on your wall.

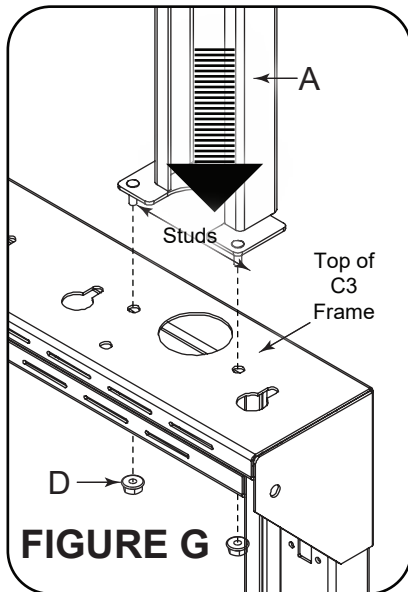


WARNING: The 2 upper keyholes are the minimum anchor points required when securing the uprights to the wall. We recommend using all 4 keyholes and anchor points for added strength.
AVERTISSEMENT: Les 2 trous de serrure supérieurs sont les points d'ancrage minimum requis pour fixer les pièces au mur. Nous vous recommandons d'utiliser les 4 trous de serrure et points d'ancrage pour plus de solidité.

7. Insert SNAPTOGGLE® anchors (C) into holes by holding metal channels flat alongside plastic straps and sliding channels through holes.

NOTE:

- Refer to “Attaching Your Frame Using the Default (Frame Feet) Installation Height” on page 6 in the C3 Series Credenza Frame instruction sheet (100-00032) to revisit instructions on how properly use SNAPTOGGLE anchors in your type of wall.
- If you are not securing uprights using the provided SNAPTOGGLE anchors (preferred), and instead are going into wood studs or a solid concrete wall, you must provide your own lag bolt hardware.



8. Insert the studs on the bottom (inner post) on one of the macro height secured uprights into the holes on the top of the frame as shown. **(FIGURE G)**

NOTE: Verify the torque on your electric drill is on the lightest setting and only increase as necessary.

9. Use electric drill ⅜” socket and (2x) 10-32 flange nuts (D) to attach the upright to the frame.

10. Repeat the previous steps to attach the other upright.

11. Use electric drill, Phillips bit, ¼”-20 x 2½” bolts (E), and ¼” washers (F) to secure uprights to your wall. Do not overtighten.

NOTE:

- If you are not securing uprights using the provided SNAPTOGGLE anchors (preferred), and instead are going into wood studs or a solid concrete wall, you must provide your own lag bolt hardware.
- For more information, refer to “Attaching Your Frame Using the Default (Frame Feet) Installation Height” on page 6 in the C3 Series Credenza Frame instruction sheet (100-00032).



WARNING: The 2 upper keyholes are the minimum anchor points required when securing the uprights to the wall. We recommend using all 4 keyholes and anchor points for added strength.
AVERTISSEMENT: Les 2 trous de serrure supérieurs sont les points d'ancrage minimum requis pour fixer les pièces au mur. Nous vous recommandons d'utiliser les 4 trous de serrure et points d'ancrage pour plus de solidité.

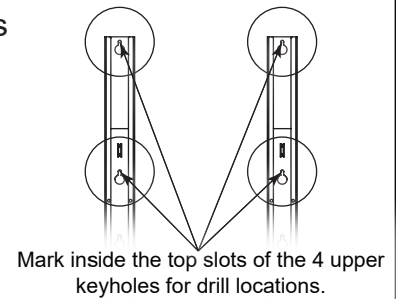
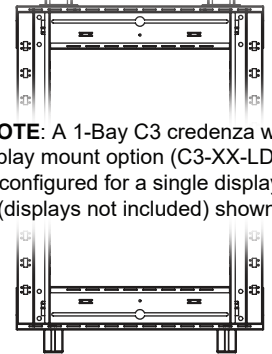


FIGURE F



NOTE: A 1-Bay C3 credenza with display mount option (C3-XX-LDXU) configured for a single display (displays not included) shown.

ATTACHING HORIZONTAL EXTRUSION AND MAKING MICRO ADJUSTMENTS

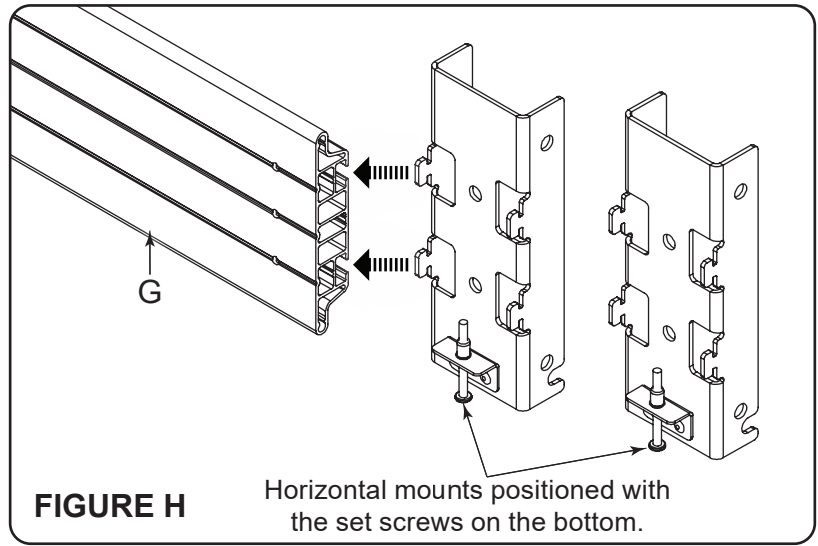
1. Slide the interlock tabs on the upright pair horizontal mounts (positioned with the set screws on the bottom) into the two channels on the back of the horizontal extrusion (G) as shown. **(FIGURE H)**

NOTE: Verify the torque on your power driver is on the lightest setting and only increase as necessary.

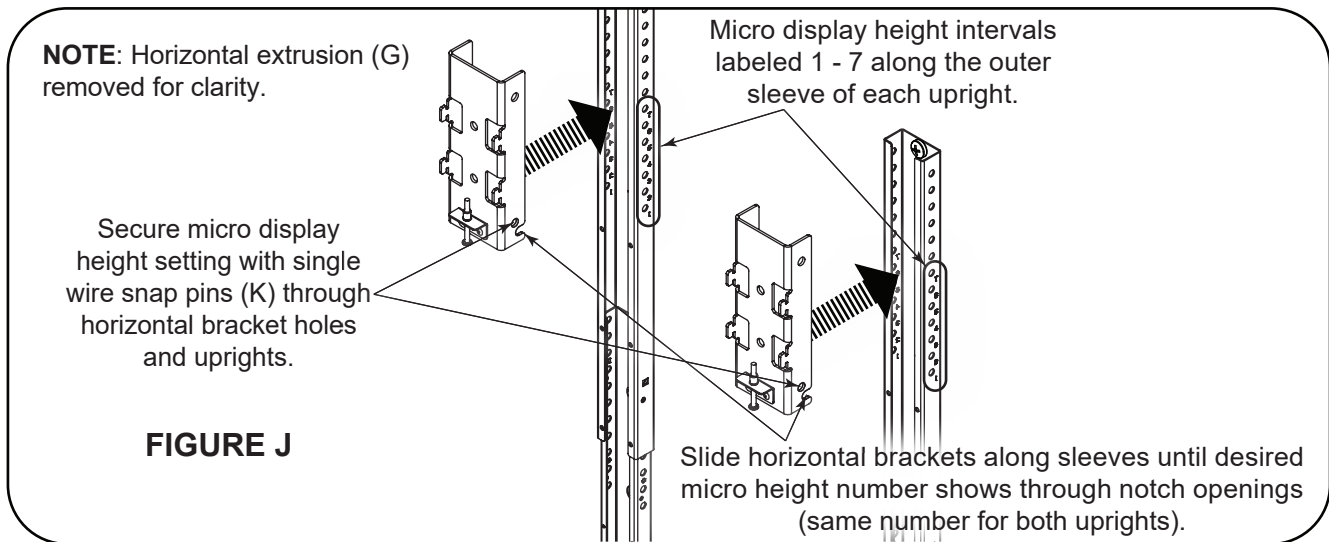
2. Use electric drill, #2 Phillips bit, extrusion end caps (H) and (4x) 1/4"-20 x 1/2" end cap screws (J) to attach an end cap on each side of the horizontal extrusion.

NOTE:

- There are 7 micro display height intervals labeled 1, 2, 3, 4, 5, 6, and 7 on the top of the pre-assembled lower portion of your upright pair.
- Each micro display height interval is spaced 1" (25 mm) apart.



3. While carefully lifting the extrusion and placing the horizontal mounts over the upright pair, use the notch openings on the bottom of the mounts to select your micro display height interval (the same number for each horizontal mount) and secure each one with a single wire snap pin (K) through the holes right above. **(FIGURE J)**



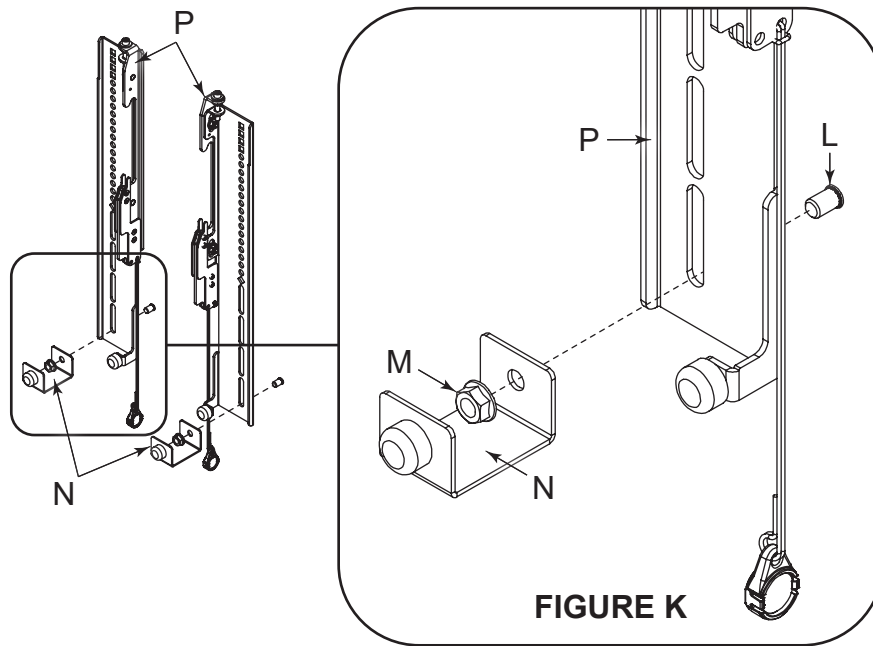
4. Center the horizontal extrusion with your credenza and then use a #2 Phillips screwdriver to tighten the screw on the bottom of each horizontal mount to fix it in place.
5. Carefully attach the covers (R) to the front of your uprights.

FOR DUAL DISPLAY CONFIGURATIONS ONLY: If you purchased a C3 Series Display Mount Large Cover Option (C3-XX-XCVR-BK) for your dual display configuration, refer to the instruction sheet (100-00035) and use the option instead.

ATTACHING DISPLAY(S) TO THE HORIZONTAL EXTRUSION

NOTE: This topic must be done as the final part of your C3 installation process. Meaning, if you have not yet installed any other C3 Series options you may have purchased for your credenza, your woodkit, fan kit (if purchased), and large cover option (if purchased), you must first complete those steps (in that order) before returning to this topic and attaching your display(s) (display(s) not included) to the horizontal extrusion.

1. Use $\frac{1}{2}$ " wrench, $\frac{5}{16}$ "-18 x $\frac{1}{2}$ " studs (L), and flange nuts (M) to attach interface standoff brackets (N)



2. Select from the appropriate size and length pan head screws from the interface hardware (IH-A) through (IH-M) for use with your display.

NOTE:

- Make sure the selected pan head screw length does not bottom out in the mounting hole on your display, or damage may occur. (**FIGURE L**)
- If you feel any resistance, stop immediately and try either a shorter screw or use spacers (IH-N) to take up slack.
- Verify the torque on your electric drill is on the lightest setting and only increase as necessary.

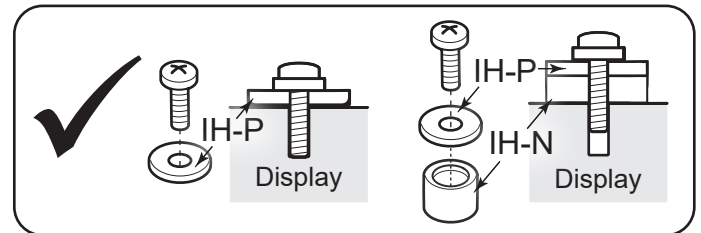
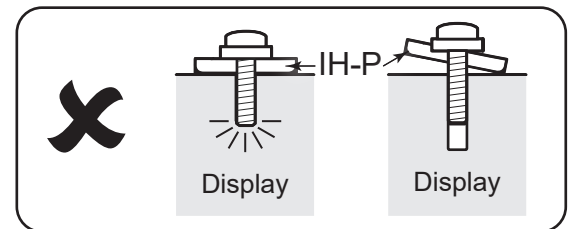
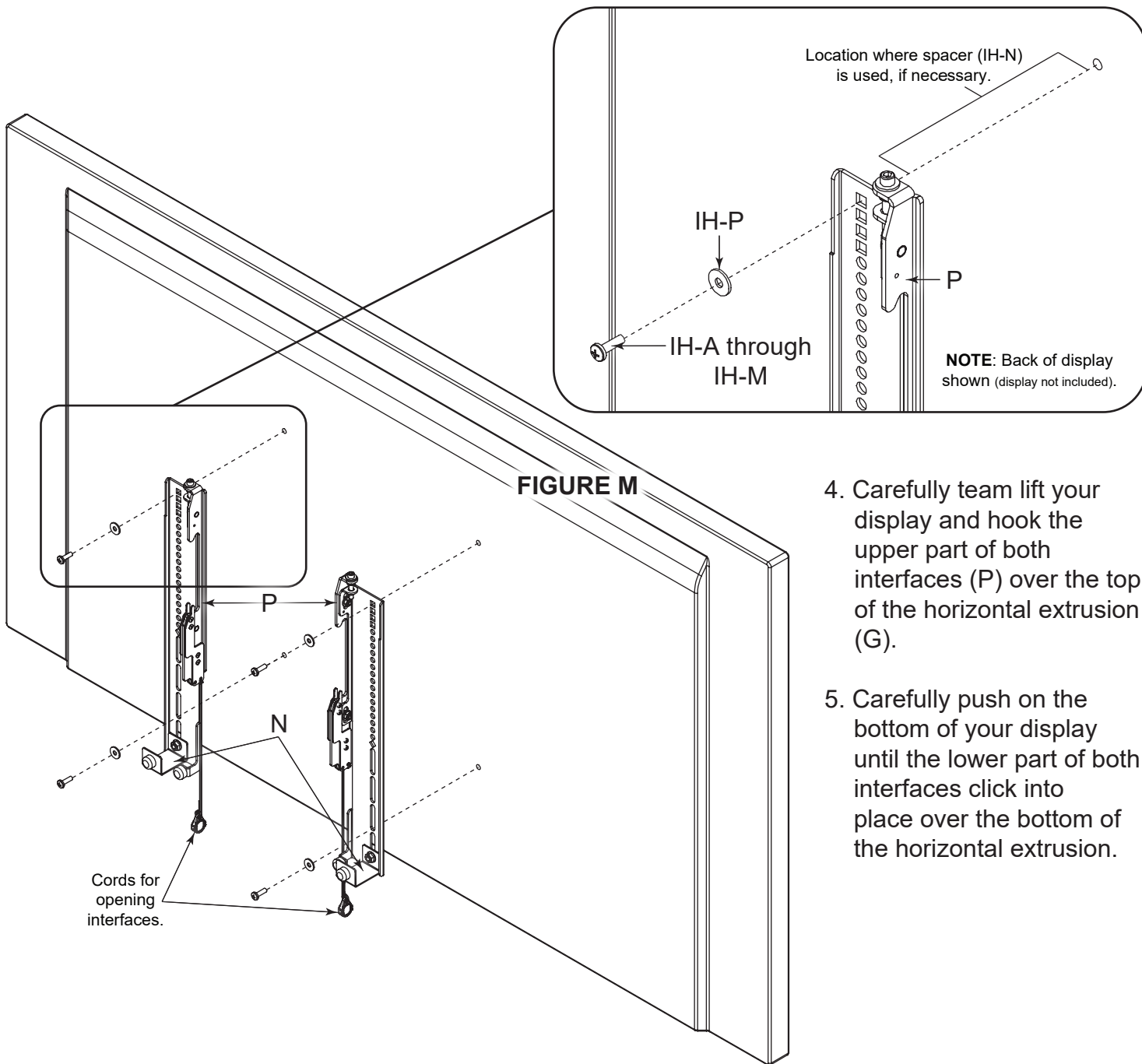


FIGURE L



ATTACHING YOUR DISPLAY TO THE HORIZONTAL EXTRUSION (CONTINUED)

3. Use electric drill, Phillips bit, (4x) interface pan head screws (IH-A) through (IH-M), spacers (IH-N), and washers (IH-P) to attach the interface pair to the back of your display as shown. **(FIGURE M)**



TIP: Use the magnets on each ring to stow the cords out of view behind your display.

NOTE: Remove your display by pulling down on the cords to open the interfaces, and then bringing the bottom forward from the horizontal extrusion while lifting up and away from the wall.

UNDERSTANDING NEXT STEPS

If your installation includes a purchased fan kit and/or a large cover option (for your purchased display option), after installing this and any other options you may have purchased for your credenza, refer to the C3 Series WoodKit instruction sheet (100-00040) to install your woodkit, and then refer to the C3 Series Fan Kit (C3-FANKIT) instruction sheet (100-00039) and/or C3 Series Display Mount Large Cover Option instruction sheet (100-00035) to install your fan kit and/or your large cover option, respectively.

NOTE:

- Kits and options other than the fan kit and large cover option should be installed before your woodkit is attached to the frame.
- Attaching your display(s) (display(s) not included) to the horizontal extrusion of the display mount option (C3-XX-LDXU, if purchased) must be done as the final part of your C3 installation process. For more information, refer to "Attaching Your Display to the Horizontal Extrusion" on page 11.

WARRANTY

For warranty information, refer to www.legrandav.com/policies/warranty_information.

Contacting Corporate Headquarters

P: (866) 977-3901 | F: (877) 894-6918 | www.legrandav.com | av.support@legrand.com

Contacting Middle Atlantic Canada

P: (888) 766-9770 | F: (888) 599-5009 | ca.middleatlantic.com | av.canada.customerservice@legrand.com

Contacting Middle Atlantic Europe, Middle East, and Africa (EMEA) Technical Support

P: +31 495-726-003 | av.emea.middleatlantic.support@legrand.com

United States (US)

Legrand | AV Headquarters
6436 City West Parkway
Eden Prairie, MN, 55344, USA

European Union (EU)

Legrand AV Netherlands
B.V. Franklinstraat 14 6003
DK, Weert, Netherlands

United Kingdom (UK)

Starline Holding Technology Ltd.
(Authorized Representative)
Unit C, Island Rd.
Reading RG2, 0RP- UK

At Legrand AV Inc. we are always listening. Your comments are welcome.

Legrand AV is an ISO 9001 and ISO 14001 Registered Company.

MIDDLE ATLANTIC®

A brand of  legrand®