

Add-On & Replacement Credentials

Functionally Equivalent to HID[®], ProxCard II[®], 26-Bit Credentials

DATA SHEET



1326AKHD

Standard Light Proximity Card

- Wallet friendly - thinner than other comparable proximity cards
- Extremely durable
- Industry standard formats
- Lifetime Warranty



1386AKHD-I (Imageable)

Multi Technology Card

- ISO Thin, just 0.031" (0.8 mm)
- Designed for photo ID printing
- Can also print Bar Codes



1346AKHD

Proximity Key Ring Tag

- Smallest Proximity Key Ring Tag Available
- Robust and Durable -Washing Machine Tough
- Lifetime Warranty

All three Keri Proximity Credentials can be used interchangeably, and are available in both "off the shelf" pre-programmed and custom facility code and ID range versions of industry standard 26-Bit Wiegand format. Each is functionally equivalent to HID[®] ProxCard II[®] 26-Bit credentials. Custom card formatting is also available as required for adding credentials to existing applications. For specific 26-bit facility code and ID ranges, customers simply need to provide facility code, and internal/external and start/stop ID numbers.

Keri's **1326AKHD Standard Light Proximity Card** provides maximum read range performance in a package considerably thinner than other "clamshell" proximity cards. It can be easily carried in a wallet or purse or worn on the clothing with a clip or necklace. These cards are extremely durable and convenient. They are manufactured with a vertical hanging slot punch, and they come with a lifetime warranty.

Keri's **1386AKHD-I Multi Technology Card** allows the user to combine several identification technologies in a single credit-card-thin credential. One of the most popular features of the Multi Technology Card is that it can accept a direct print video image, typically a photograph, bar code, and other user graphics, from most industry dye sublimation printers, to create a custom access credential.

Keri's **1346AKHD Proximity Key Ring Tag** provides user convenience in a small, ergonomic, and extremely durable package. The tag is equipped with a brass eyelet for attachment to a key ring that ensures the neck of the tag will not break during the life of the system. Key tags are especially convenient for building entrances where the user still has their car keys in hand.



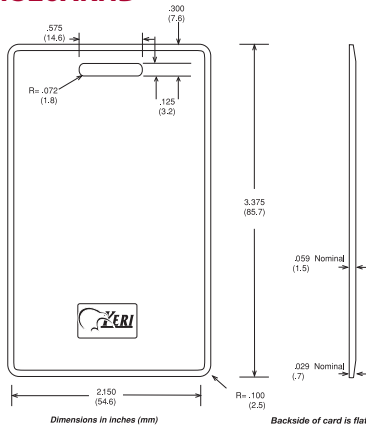
2305 Bering Drive • San Jose, California 95131
408-435-8400 • Toll Free: 800-260-5265 • Fax: 408-577-1792

Add-On & Replacement Credentials

Functionally Equivalent to HID[®], ProxCard II[®], 26-Bit Credentials

DATA SHEET, Page 2 of 2

1326AKHD



Specifications:

Read Range:*
Up to 6 inches (15 cm)

Size:
3.38" H x 2.14" W x 0.059" T
Approx. (86 x 54 x 1.5 mm)

Weight:
0.31 oz (8.8 g)

Material:
ABS

Temperature / Humidity:
-40° F to 158° F
(-40° C to 70° C)
0 - 100% Non Condensing

Color:
Off White

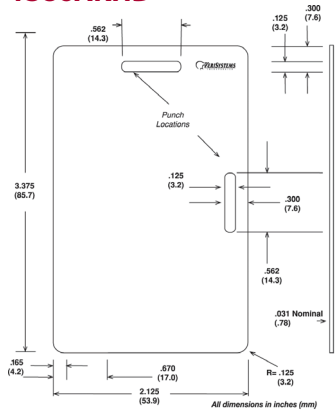
Warranty:
The Standard Light Proximity Card comes with a limited lifetime warranty against defects in materials and workmanship.

** Read Range is stated in a clean RF and electrical environment with card presented parallel to reader surface.*

Specifications subject to change without notice. Trademarks are the property of their respective owners.

HID[®] and ProxCard[®] II are registered trademarks of HID Global Corp., an Assa Abloy company.

1386AKHD



Specifications:

Read Range:*
Up to 6 inches (15 cm)

Size:
3.38" H x 2.14" W x 0.031" T
Approx. (86 x 54 x 0.08 mm)

Weight:
0.19 oz (5.5 g)

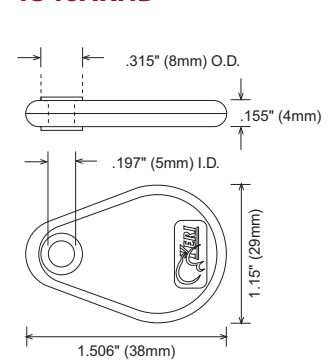
Material:
PVC with a printable gloss surface

Temperature / Humidity:
-40° F to 158° F
(-40° C to 70° C)
0 - 100% Non Condensing

Color:
Off White

Warranty:
The Standard ISO Card comes with a limited 1 year warranty against defects in materials and workmanship.

1346AKHD



Specifications:

Read Range:*
Up to 4 inches (10 cm)

Size:
1.51" H x 1.14" W x 0.115" T
Approx. (38 x 29 x 5 mm)

Weight:
0.16 oz (4.5 g)

Material:
ABS, brass eyelet

Temperature / Humidity:
-40° F to 158° F
(-40° C to 70° C)
0 - 100% Non Condensing

Color:
Gray

Warranty:
The Key Ring Tag comes with a limited lifetime warranty against defects in materials and workmanship.

ORDERING INFORMATION:

Part Number	Description
1326AKHD	Clamshell Proximity Card
1386AKHD-I	Thin Photo Imageable Proximity Card
1346AKHD	Proximity Key Tag



Presented By: