

PROFICIENT®

OWNER'S MANUAL

Outdoor / Indoor Speakers

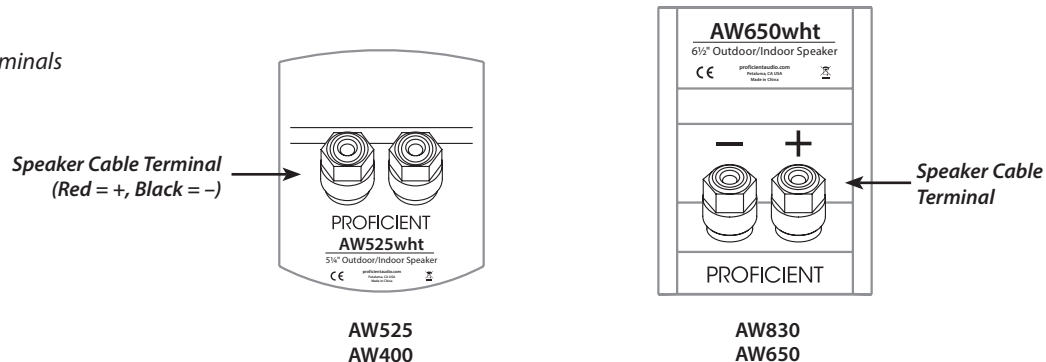
AW830 • AW650 • AW525 • AW400

WIRING

Please use **Diagram 1** below to familiarize yourself with the rear panel of your outdoor speaker.

Attach the speaker cable to the speaker cable terminals, observing the proper polarity with your amplifier, + to + (red) and – to – (black). Make sure to connect the right channel to the right speaker and the left channel to the left speaker.

Diagram 1:
Speaker Cable Terminals



PLACEMENT

Placement Under Eaves and Outdoors

When mounting your speakers outdoors, the eaves of the roof provide an ideal location. They reduce the exposure of constant direct sunlight, salt spray, and precipitation. If installing speakers on a boat, the wheelhouse provides the best location for the same reasons. Following these suggestions will help to ensure that your speakers will last a lifetime.

Placement on a Wall or Bookshelf

When placing your speakers on a wall or bookshelf, optimal sound will be achieved if they are mounted at ear level or slightly higher. The usual listening area should be no closer to the speakers than the distance between the speakers themselves.

ADJUSTING THE PIVOTING TWEETER

Depending upon your listening area, you may find the sound more pleasing by pointing the tweeter in a particular direction. If additional treble is desired, simply point the tweeter towards that area; if less treble is required, point the tweeter away.

Diagram 2:
Installing Mounting Bracket

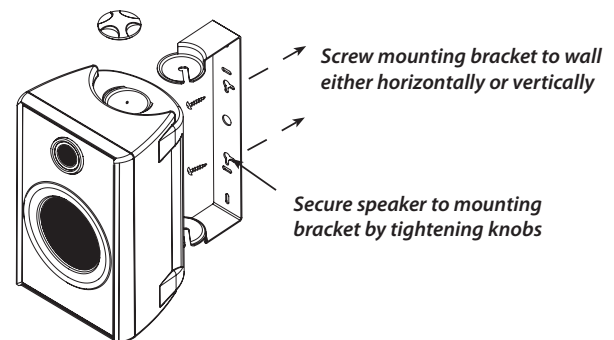
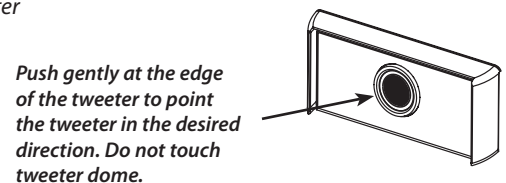


Diagram 3:
Pivoting Tweeter



SPEAKER SPECIFICATIONS

	AW830	AW650
Type:	3-Way Stereo Pair	2-Way Stereo Pair
Woofers:	8" Polypropylene Cone	6½" Polypropylene Cone
Midrange:	3" Graphite	N/A
Tweeter:	1" Pivoting Soft Dome	1" Pivoting Supernil Soft Dome
Power Handling:	175 Watts	150 Watts
Frequency Response:	35Hz - 20kHz	37Hz - 20kHz
Impedance:	4Ω	8Ω
Sensitivity:	89dB 1W/1m	89dB 1W/1m
Dimensions (H x W x D):	15¾" x 8¾" x 8¾"	11" x 7" x 6¼"
Colors:	White or Black	White or Black
	AW525	AW400
Type:	2-Way Stereo Pair	2-Way Stereo Pair
Woofers:	5¼" Polypropylene Cone	4" Polypropylene Cone
Tweeter:	1" Pivoting Supernil Soft Dome	¾" Supernil Soft Dome
Power Handling:	125 Watts	100 Watts
Frequency Response:	45Hz - 20kHz	55Hz - 20kHz
Impedance:	8Ω	8Ω
Sensitivity:	88dB 1W/1m	87dB 1W/1m
Dimensions (H x W x D):	9¾" x 6½" x 6¾"	7¾" x 5½" x 5½"
Colors:	White or Black	White or Black

Features and specifications are subject to change without notice.

LIMITED TEN-YEAR WARRANTY

Proficient Audio Systems ("Proficient") warrants to the original retail purchaser only ("you") that this product will be free from defects in materials and workmanship for a period of ten years (the "Warranty Period"), subject to the limitations and exclusions set out in this Limited Warranty. This warranty is not transferable to subsequent owners of the product. If you discover a defect in material or workmanship within the Warranty Period, you can obtain warranty service by contacting Proficient during the Warranty Period at 800.472.5555 or techsupport@proficientaudio.com or by contacting the dealer from whom you purchased the product. Defective products must be shipped, prepaid and insured, together with proof of purchase. Warranty service requests made without proof of date of purchase will be denied. Freight collect shipments will be refused. It is preferable to ship this product in the original shipping container to lessen the chance of transit damage. In any case, the risk of loss or damage in transit is to be borne by the purchaser.

If, upon examination by Proficient or its authorized dealer, it is determined that the unit is in fact defective, Proficient will, at its option:

- Repair or replace the product at no additional charge; or
- If the model is no longer available and can not be repaired effectively, replace the unit with a current model of equal or greater value. In some cases where a new model is substituted, a modification to the mounting surface may be required. If mounting surface modification is required, Proficient assumes no responsibility or liability for such modification.

Proficient will bear the cost of returning the repaired or replaced product to you, freight prepaid. All replaced parts and product become the property of Proficient Audio Systems. The foregoing is your sole and exclusive remedy for breach of warranty. If the product is not found to be defective, Proficient will contact you to arrange for return of the product to you, at your expense.

For technical inquires, please call 800.472.5555 or e-mail us at techsupport@proficientaudio.com. We are available to assist you every weekday, except holidays, between the hours of 7:00 a.m. and 5:00 p.m. PST.

EXCLUSIONS:

- This Warranty does not include service or parts to repair damage caused by accident, disaster, misuse, abuse, negligence, inadequate packing or shipping procedures, commercial use, voltage inputs in excess of the rated maximum of the unit, or service, repair or modification of the product by unauthorized dealers. This Warranty also excludes normal cosmetic deterioration caused by environmental conditions.
- This Warranty will be void if:
 - the Serial Number on the product has been removed, tampered with or defaced.
 - the product was not purchased from an authorized dealer.

THE FOREGOING WARRANTIES ARE EXCLUSIVE AND IN LIEU OF ALL OTHER EXPRESSED AND IMPLIED WARRANTIES. PROFICIENT EXPRESSLY DISCLAIMS ALL SUCH OTHER WARRANTIES, INCLUDING BUT NOT LIMITED TO IMPLIED WARRANTIES OF MERCHANTABILITY, FITNESS FOR A PARTICULAR PURPOSE AND NON-INFRINGEMENT. In no event will Proficient be liable for any incidental or consequential damages arising out of the use or inability to use the product, even if Proficient has been advised of the possibility of such damages, or for any claim by any other party. Notwithstanding the above, if you qualify as a "consumer" under the Magnuson-Moss Warranty Act, then you may be entitled to any implied warranties allowed by law for the Warranty Period. Further, some states do not allow limitations on how long an implied Limited Warranty lasts or allow the exclusion or limitation of consequential damages, so such limitations may not apply to you.

ATTENTION TO OUR VALUED CONSUMERS:

To ensure that consumers obtain quality pre-sale and after-sale support and service, Proficient products are sold exclusively through Authorized Installing Dealers and Authorized Internet Sellers. **Please be advised that Proficient warranties are void if product is purchased from an Unauthorized Internet Seller.**

PROFICIENT

5919 Sea Otter Place, Suite 100 • Carlsbad, CA 92010
800.472.5555 • Fax 707.283.5901 • proficientaudio.com

©2019 Nortek Security & Control, LLC. All Rights Reserved.
Proficient® is a registered trademark of Nortek Security & Control, LLC.



P/N: 1300-41000 (Rev B)