

4

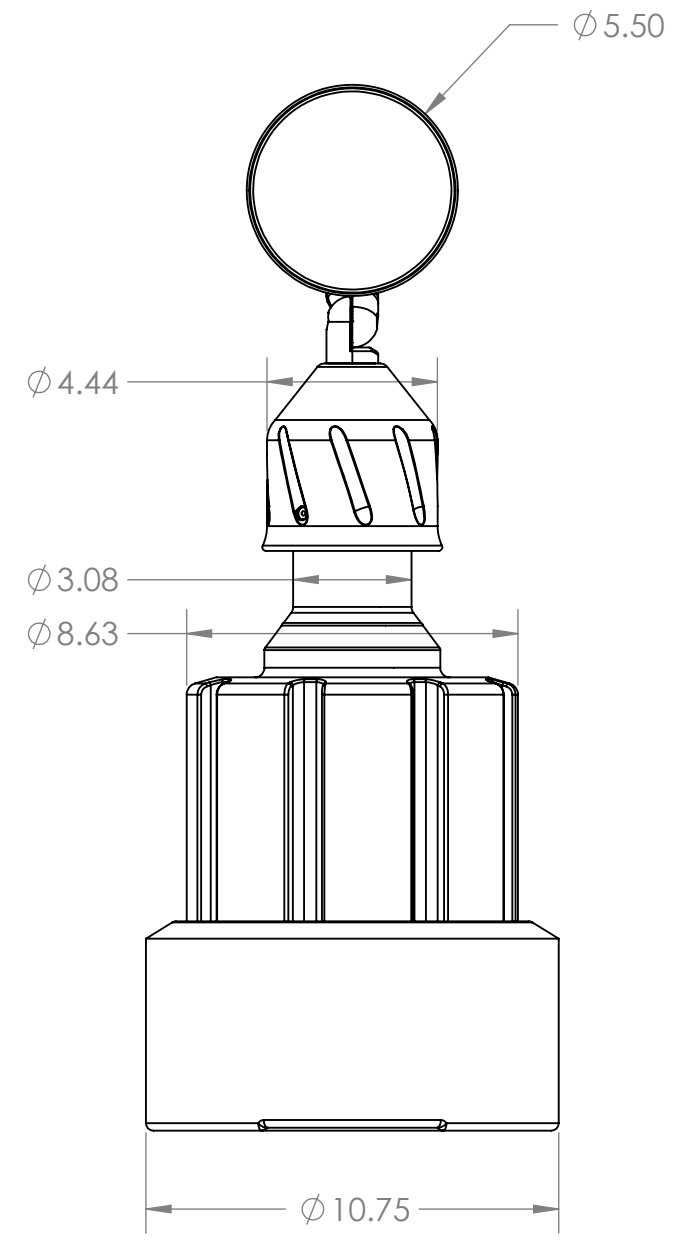
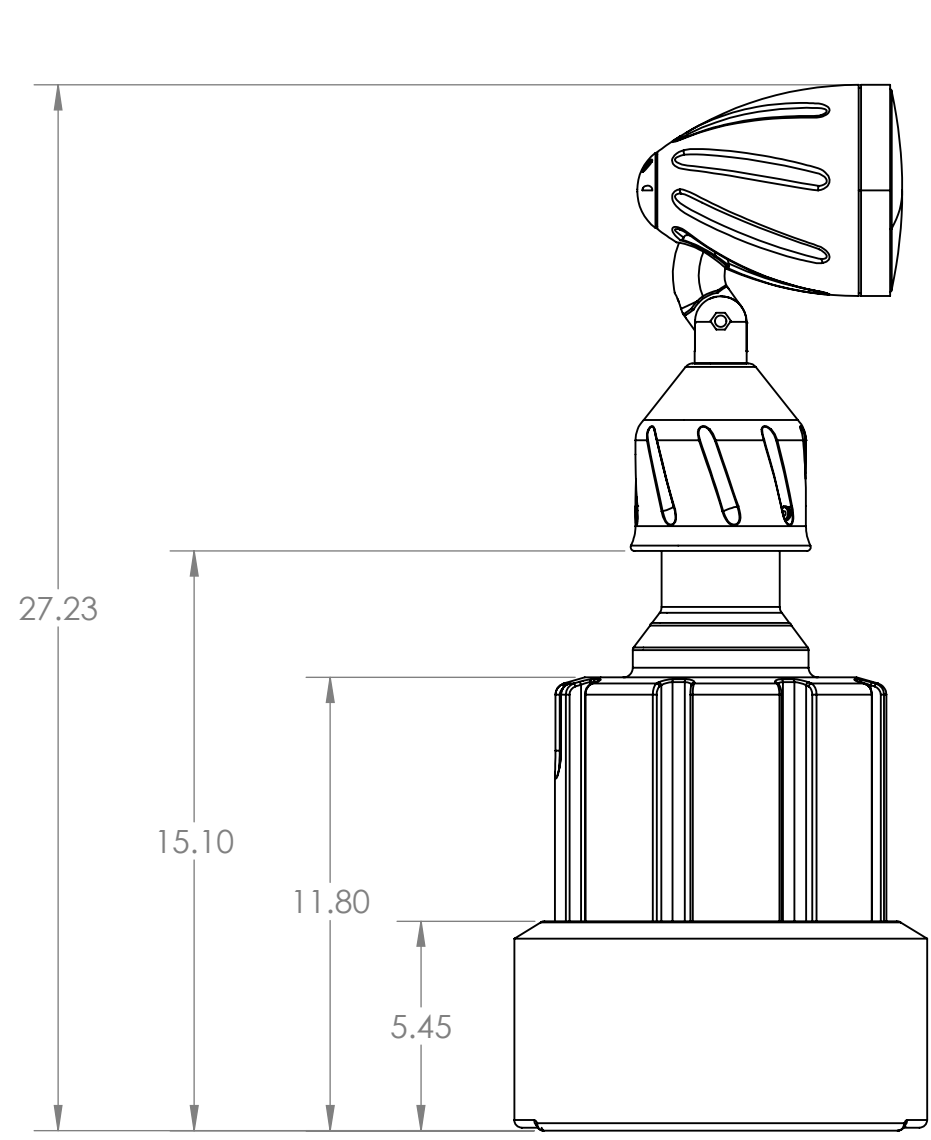
3

2

1

B

B



A

A

4

3

2

1

<p><b>PROPRIETARY AND CONFIDENTIAL</b></p> <p>THE INFORMATION CONTAINED IN THIS DRAWING IS THE SOLE PROPERTY OF MSE AUDIO. ANY REPRODUCTION IN PART OR AS A WHOLE WITHOUT THE WRITTEN PERMISSION OF MSE AUDIO IS PROHIBITED.</p>	UNLESS OTHERWISE SPECIFIED:	NAME	DATE			
	DIMENSIONS ARE IN INCHES	DRAWN	Ipmagruder		2020-09-15	
	TOLERANCES:	CHECKED			TITLE:	
	FRACTIONAL: $\pm$	COMMENTS:				
ANGULAR: MACH $\pm$ BEND $\pm$				SIZE	DWG. NO.	REV
TWO PLACE DECIMAL $\pm$				<b>B</b>	<b>CB5</b>	
THREE PLACE DECIMAL $\pm$				SCALE: 1:5	WEIGHT:	SHEET 1 OF 1
INTERPRET GEOMETRIC TOLERANCING PER:						
MATERIAL						
FINISH						
DO NOT SCALE DRAWING						