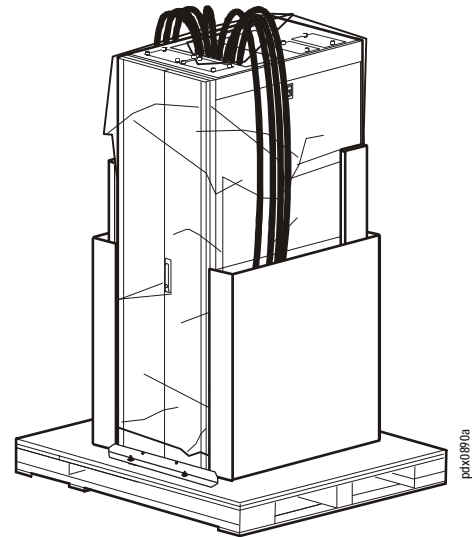




150kVA InfraStruxure PDU

Receiving, Unpacking, and Moving Guide



**IMPORTANT
SAVE THESE INSTRUCTIONS**

Inspection

Inspect for any signs of damage or mishandling. Do not install the PDU if damage is apparent. If damage is noted, contact Schneider Electric and file a damage claim with the shipping agency within 24 hours. Compare the components of the shipment with the bill of lading. Report any missing items to the carrier and to APC immediately. Verify that labeled units match the order confirmation.

Safety

⚠ WARNING

TIPPING/HEAVY EQUIPMENT HAZARD

- Do not tip the enclosure more than 10°.
- If the height of the packaged PDU exceeds the height of the doorway, remove the PDU from the pallet.
- Ensure that the floor and sub-floor can support the weight of the PDU, especially when the weight is concentrated on the stabilizing feet.
- The PDU must be installed on a level floor.

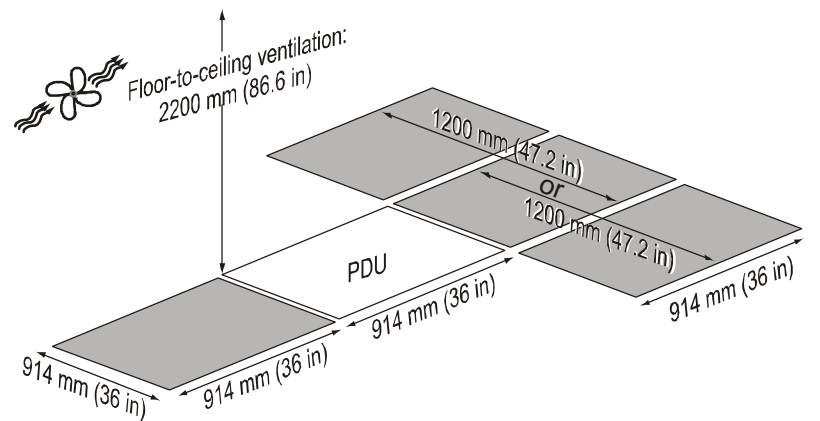
Failure to follow these instructions can result in serious injury.

Space Considerations

The PDU has been built to your individual requirements. Fully loaded weight including packaging is approximately 2100 lb (954.5 kg). Weight will vary from unit to unit due to differences in cable requirements.

	PDU with Packaging	PDU Alone
H x W x D in (mm)	87 x 46 x 48 (2209.8 x 1168.4 x 1219.2)	81 x 24 x 42 (2057.4 x 609.6 x 1066.8)

Installation location - air space requirements



Storage Conditions

Storage Temperature: -25° to 65°C (-13° to 149°F)	Relative Humidity: 5–95% Non-condensing	Altitude: 0–15000 m/0–50000 ft

NOTICE

If the system is not being installed immediately, do not remove the packaging. Store the system in an indoor, temperature-controlled area, free of conductive contaminants.

NOTICE

- Leaving the equipment uncovered and exposed to the elements will cause damage and void the factory warranty.
- When possible, leave the equipment on the pallet until you are ready to move it to its final location.

Moving the PDU



The shipping materials are recyclable. Save them for later use, or dispose of them appropriately.

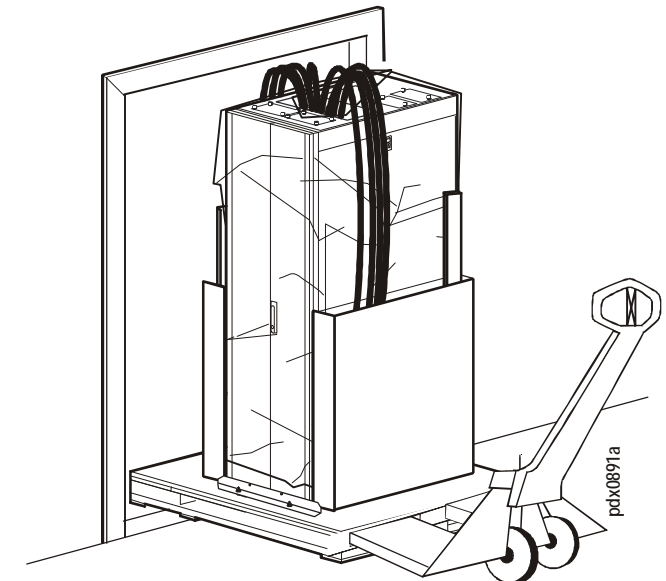


Use a pallet jack or a forklift to move the pallet to the installation site.

Move the PDU as close as you can to the final location before unpacking the PDU and removing it from the pallet. Measure door clearances to ensure the PDU will fit through without damage.

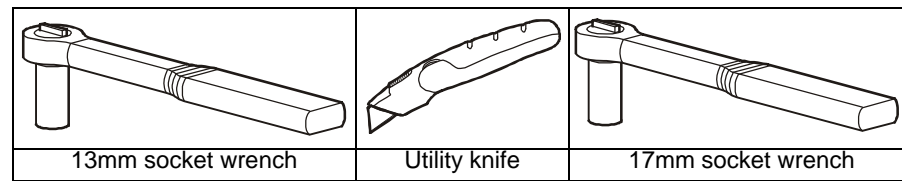
If the PDU must be removed from the pallet to move it to its final location, follow the instructions for unpacking the equipment and have help to hold the cables while moving the unit.

The PDU can be rolled slowly on its casters after it is removed from the pallet if the floor is reasonably smooth and level. Always have more than one person moving the PDU to prevent personal injury and damage to the PDU.



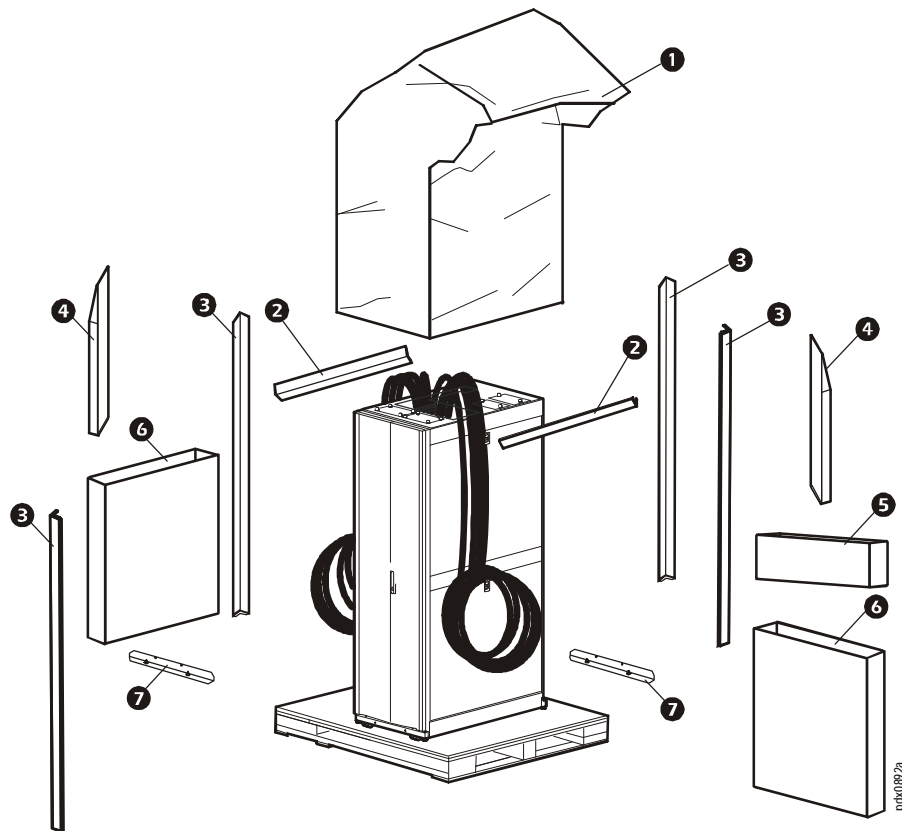
Remove the Packaging

Tools required (not provided)



Packaging removal

1. Remove the protective covers **2** on the top of the unit under the cables and the cardboard corner protective covers **3**.
2. Remove the unloading ramps **4** and set them aside.
3. Remove the cables from the cardboard cable containers **6**.
4. Remove the accessories box **5** from the bottom of the cable container. Make sure the box arrives at the installation location with the PDU. It contains the communication cables and other items required for installation.
5. Cut the plastic bag **1** and remove it.
6. Use socket wrenches to remove the stabilizing brackets **7** from the front, back, and sides of the enclosure.



Remove the PDU from the Pallet

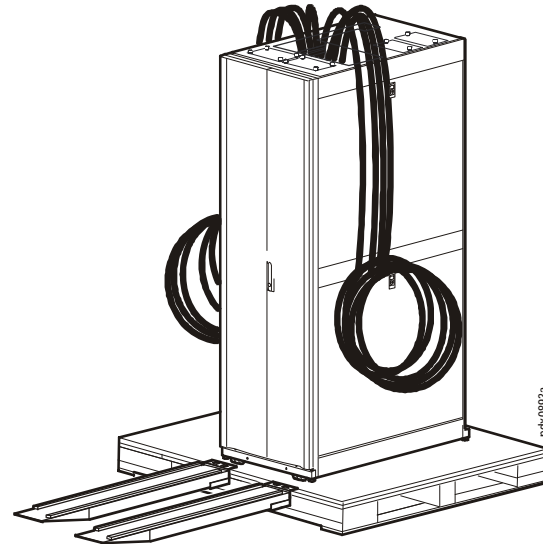
⚠ WARNING

TIPPING/HEAVY EQUIPMENT HAZARD

The unloading ramps are designed for one time use and for unloading only. Do not attempt to load the PDU using the unloading ramps.

Failure to follow these instructions can result in serious injury.

1. Position the ramps in the two slots near the edge of the pallet.
2. Use at least two people to roll the PDU off the pallet and down the ramp.
3. A rolling cart or two more people are required to handle the cables.



⚠ WARNING

TIPPING/HEAVY EQUIPMENT HAZARD

Risk of instability. The product could roll down the ramp too quickly, or the casters could jam in the ramp's guides, causing the product to tip over. To reduce the risk of personal injury, a minimum of two people are required to control the PDU as it rolls down the ramps. One person should be located on either side of the ramps. Have clear space around the ramps for an escape route in the event the PDU tips over.

Failure to follow these instructions can result in serious injury.

⚠ WARNING

TIPPING/HEAVY EQUIPMENT HAZARD

After the unit has been removed from the pallet, move it only by rolling it on the casters.

Failure to follow these instructions can result in serious injury.

Worldwide Customer Support

Customer support for this product is available at no charge at www.schneider-electric.com

© 2014 Schneider Electric. All rights reserved.