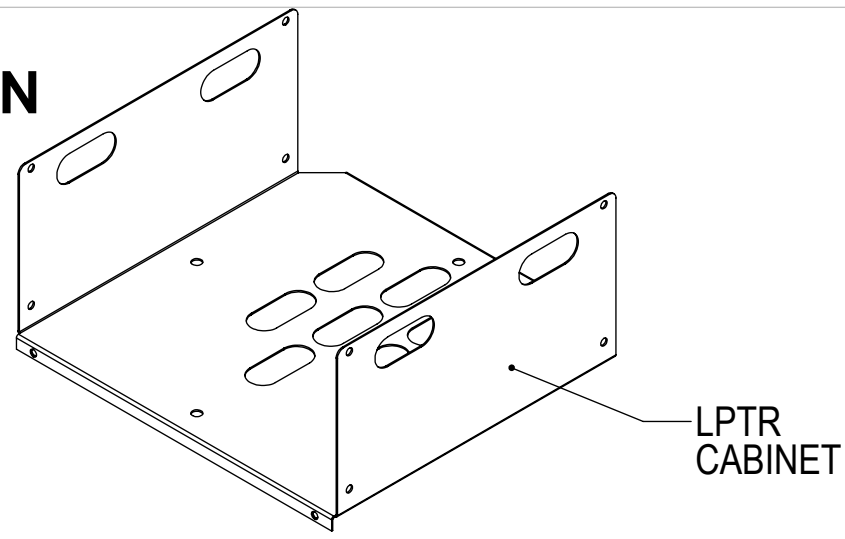
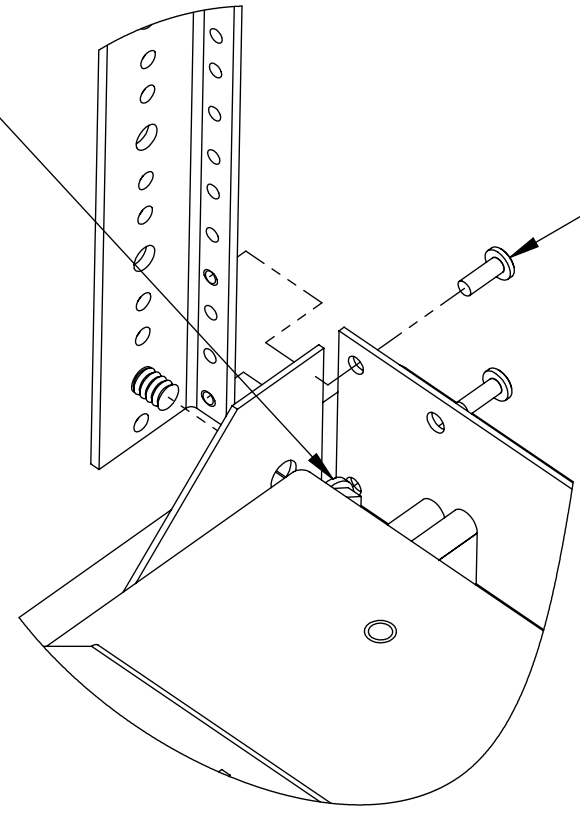


# LPTR INSTALLATION

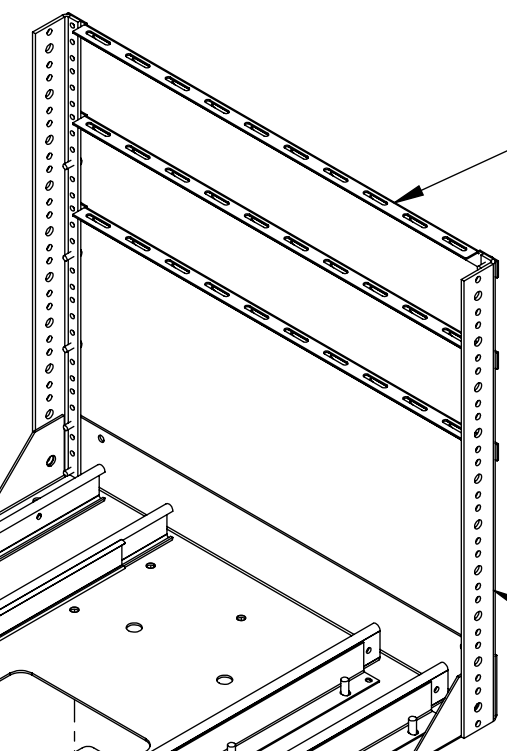


STEP 3:  
ATTACH (2X) REAR  
MOUNTING RAILS  
INSERT STUD THRU  
HOLE ON FLANGE  
AND ATTACH WITH  
5/16 NUT



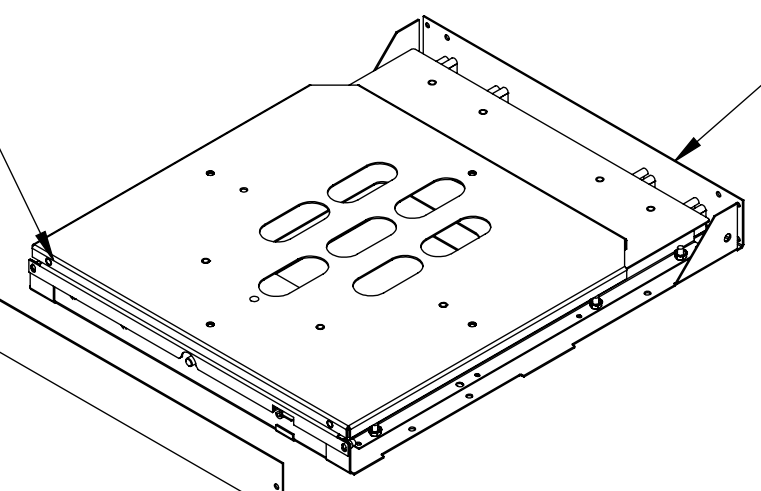
STEP 4:  
ATTACH REAR RAILS  
TO BACK WITH  
(2) 10-32 SCREWS  
2 PLACES

STEP 5:  
CABLE LACING  
BARS (3X),  
MOUNTED TO  
REAR RAILS  
WITH 10-32 X .5  
SCREWS, (6X)



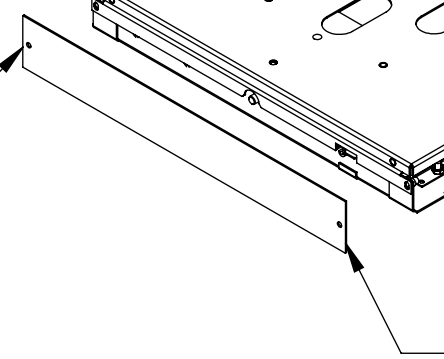
(2X) REAR  
MTG RAILS

STEP 2:  
REMOVE (4)  
10-32 CSK SCREWS,  
2X IN FRONT  
2X IN BACK,  
THEN LIFT OFF  
CABINET



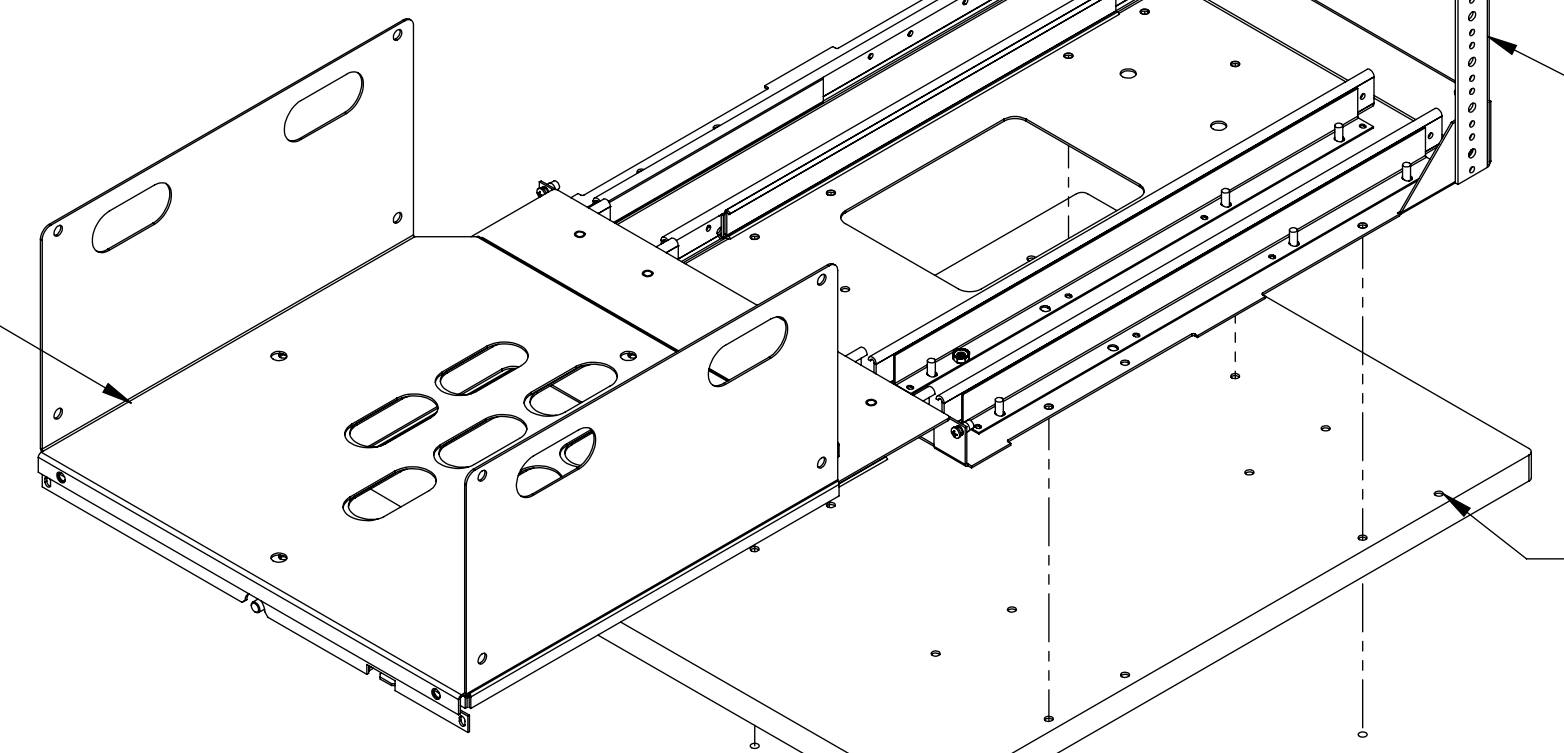
BASE  
SUB-ASSEMBLY

STEP 1:  
REMOVE  
(2) 10-32 SCREWS  
TO LOOSEN TOP  
SLIDING SHELF



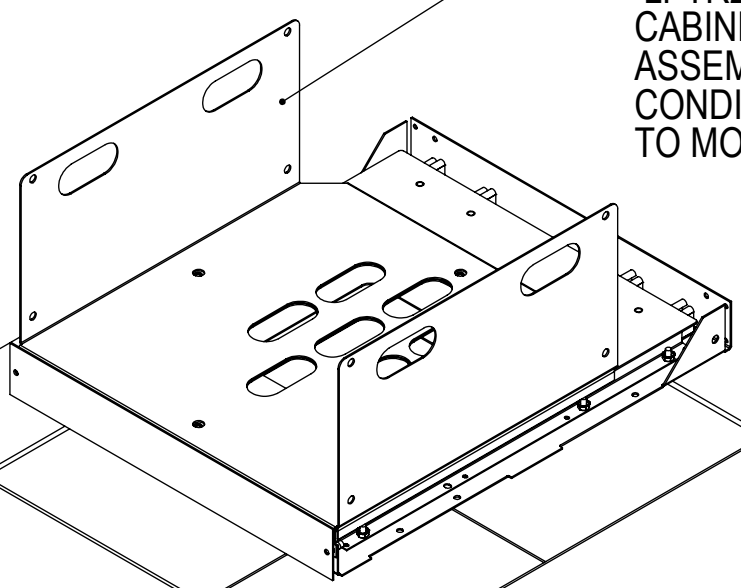
LOCKING PANEL  
INSTALL WHEN FINISHED  
INSTALLING

STEP 6:  
ROTATING BASE  
NEEDS TO BE  
FULLY EXTENDED  
TO ACCESS  
BASE MTG BASE

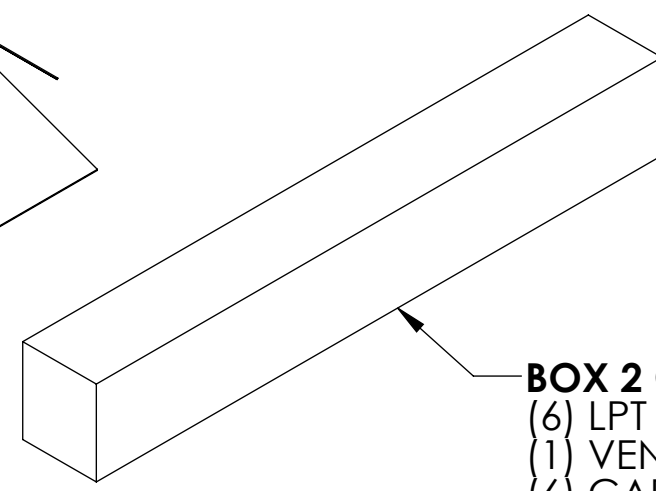


MOUNTING  
HOLES

LPTR BASE ASSEMBLIES  
LPTR19B2, LPTR19B4,  
LPTR23B4 (SHOWN).  
CABINET CAN BE FULLY  
ASSEMBLED IN AS SHIPPED  
CONDITION. SKIP STEPS 1&2  
TO MOUNT BASE TO FINAL

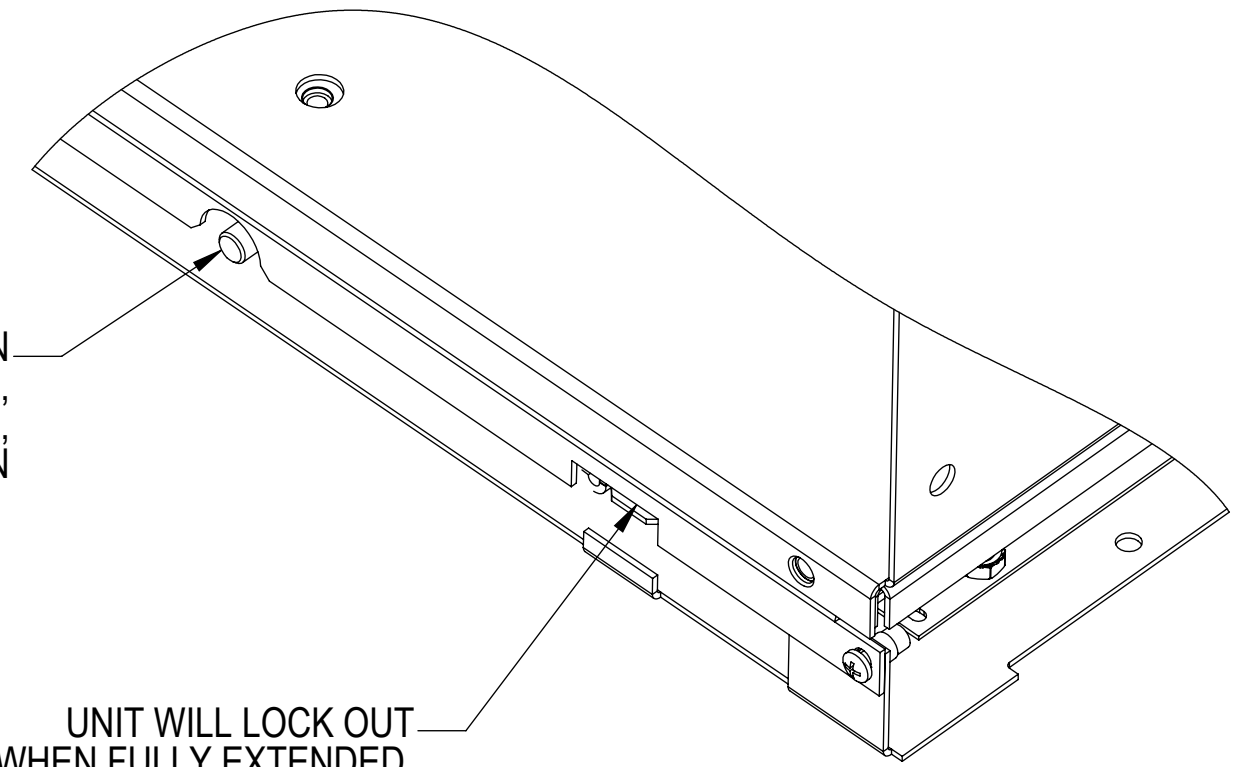


**BOX 1 CONTENTS:**  
(1) FULL BASE ASSY &  
(1) INSTALL SHEET



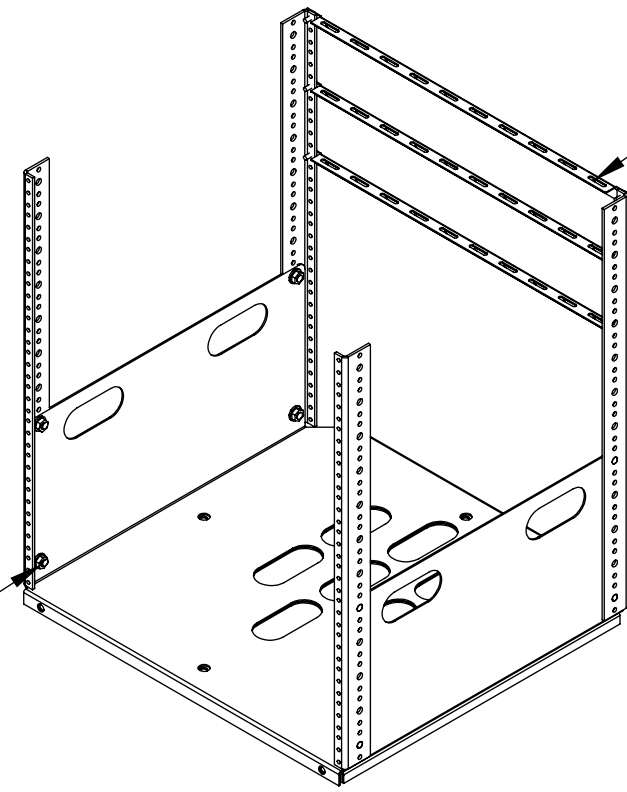
**BOX 2 CONTENTS:**  
(6) LPT MOUNTING RAILS  
(1) VENTED PANEL  
(6) CABLE LACING BARS  
(10) 5/16 NUTS  
(1) BAG RACK SCREWS  
(1) INSTALL SHEET  
(12) 10-32 X .5 SCREWS

PUSH BUTTON  
FOR ROTATING,  
LOCKS (0°, 60° & 90°;  
EITHER DIRECTION

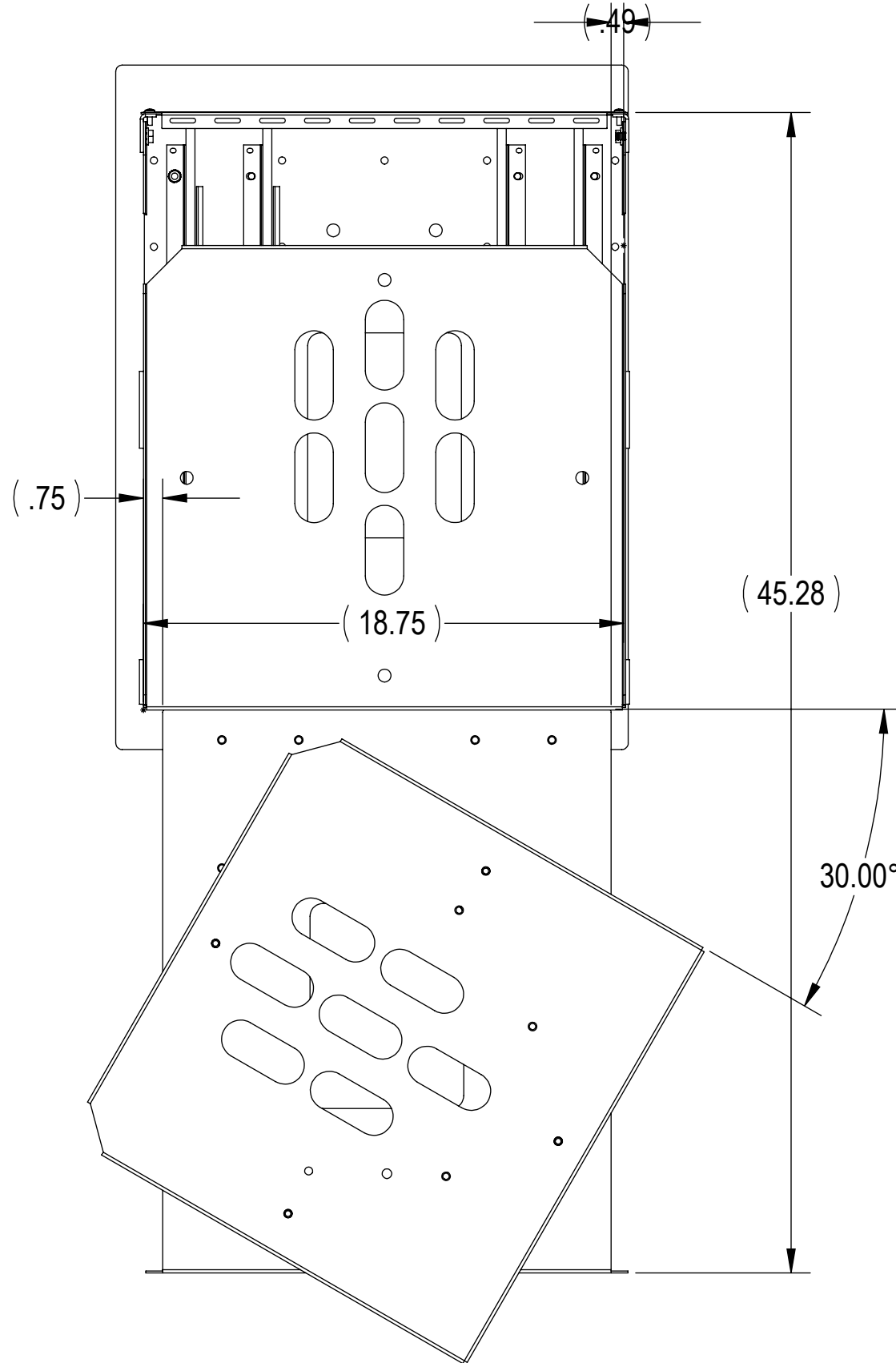


UNIT WILL LOCK OUT  
WHEN FULLY EXTENDED,  
TO CLOSE, PRESS LEVER DOWN  
AND PUSH UNIT IN.

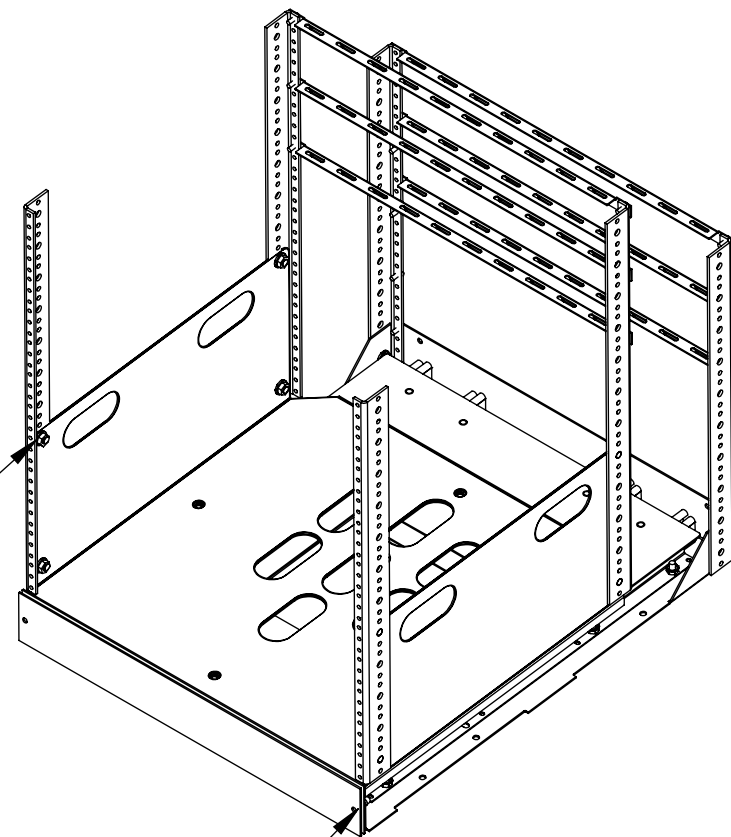
STEP 7:  
ATTACH (4)  
MOUNT RAILS  
WITH 5-16 HEX NUTS  
2X @ 4 PLACES



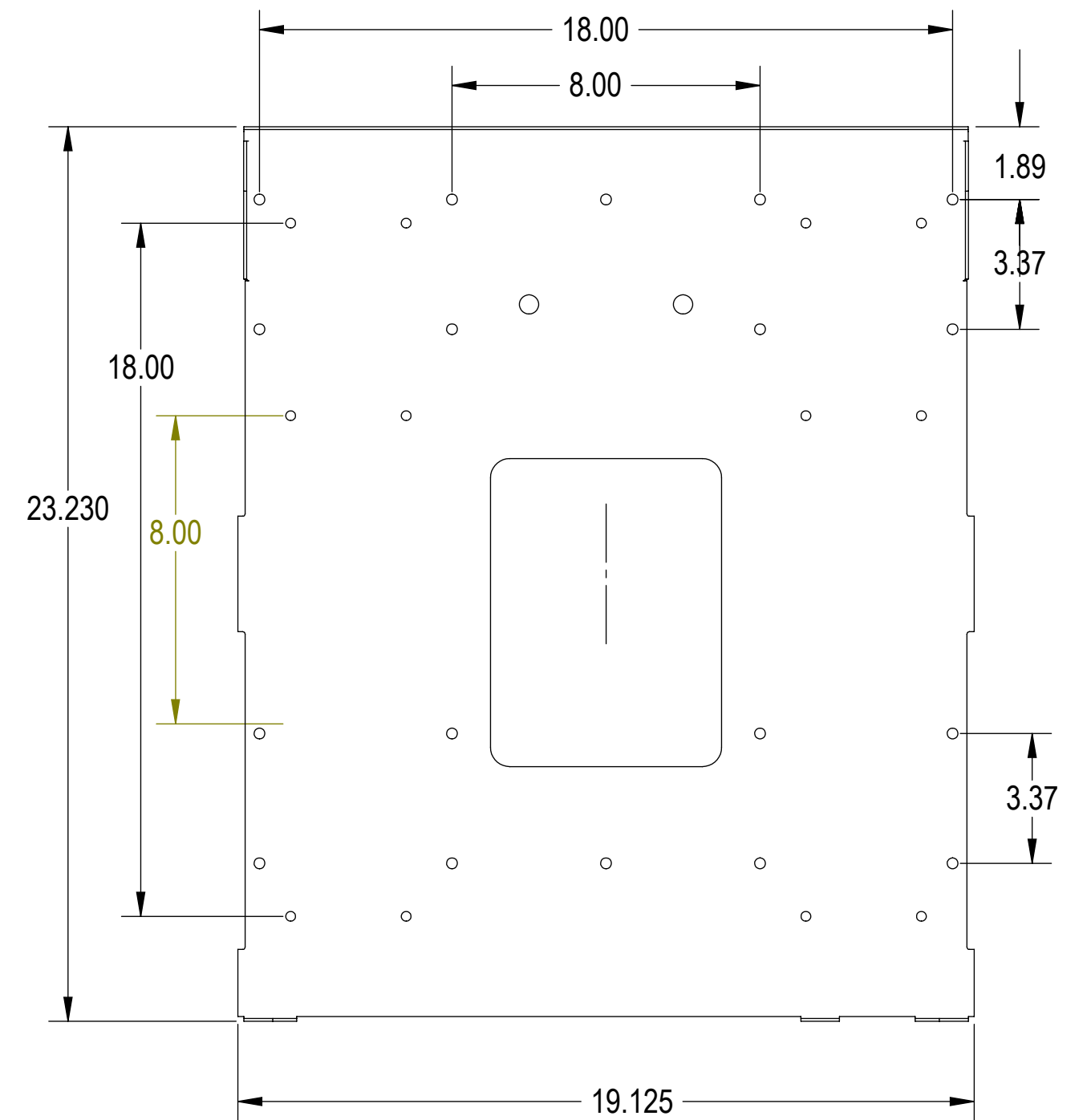
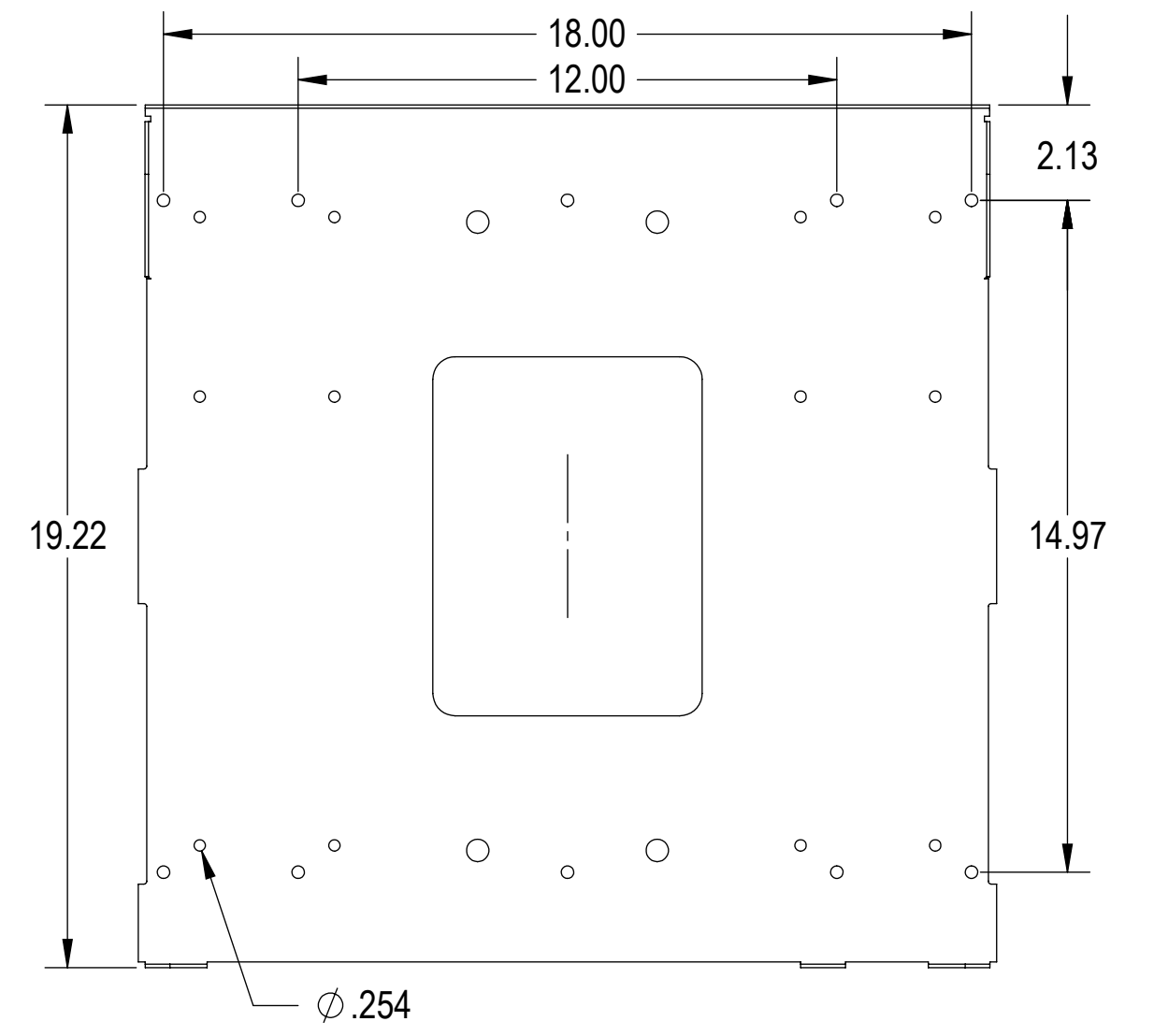
STEP 8:  
CABLE LACING BARS (3X)  
MOUNTED TO REAR RAILS  
WITH (6) 10-32 SCREWS



STEP 9  
AFTER MOUNTING  
RAILS HAVE BEEN  
ATTACHED TO CABINET  
PLACE ON ROTATING  
BASE REATTACH WITH  
(4)CSK SCREWS



STEP 10:  
LOCKING PANEL  
ATTACHED  
WITH(2) 10-32 SCREWS



MOUNT HOLE LOCATION