

Installation Guide

Series 4000

Visual Nurse Call System

With Single Status Option

Caution

This system operates at 24VDC
Insure that Power Supply
Is set to this voltage

TG-4000 Series Index

Visual Emergency Call – Operations & Specifications

Typical Wiring for Single Status Nurse Call System Schematic Drawing

System Wiring Nurse Call 4006 – Using E-114, B-122, E-114-3 Schematic Drawing

System Wiring DS-110 Duty Station Schematic Drawing

E-114 Schematic Drawing

E-114-1 Schematic Drawing

E-114-3 Schematic Drawing

P-5000F Flasher Schematic Drawing

A-4000 VISUAL EMERGENCY CALL

Single Status

Operations and Specifications

Equipment

A-4000	Annunciator Panel
E-1XX-X	Emergency Pull Cord Station
L-X0X	Corridor Light
DS-110	Duty Station
P-512241A	1 Amp Power Supply
P-512243A	3 Amp Power Supply
B-5243A	Battery Power Supply

Operation

Upon Activation of the pull cord on the emergency station, (E-1XX-X), the corridor light shall illuminate, the associated LED on the annunciator panel(s) shall illuminate, and the tone shall sound on the annunciator panel(s) and any or all duty stations. An LED on the duty station shall also indicate that there is a call on the system.

A-4000 Annunciator

Indicators	LED's
Tone	Electric tone device
Finish	Clear anodized aluminum faceplate
Controls	Hi-Lo tone switch Standby-Resound switch on A-4003A and A-4006A Screw driver slot for tone volume adjustments
Designations	Silk-screened for controls Designation strips provide for LED labeling

Emergency Station

Indicators	E-104-1 Red LED call placed light E-114 - None E-114-1 - None E-114-3 - Red LED call placed light
Finish	Single gang satin finish stainless steel
Controls	DPDT on-off slide switch 6' nylon pull cord
Designations	Silk-screened for controls

Corridor Light

Indicators	#1820 Lamp
Finish	Single gang satin finish stainless steel Dome Cover - White or Red 2" W x 2 3/4" L x 2 9/16" D
Options	Silk-screening of the dome cover available for wall or ceiling mount

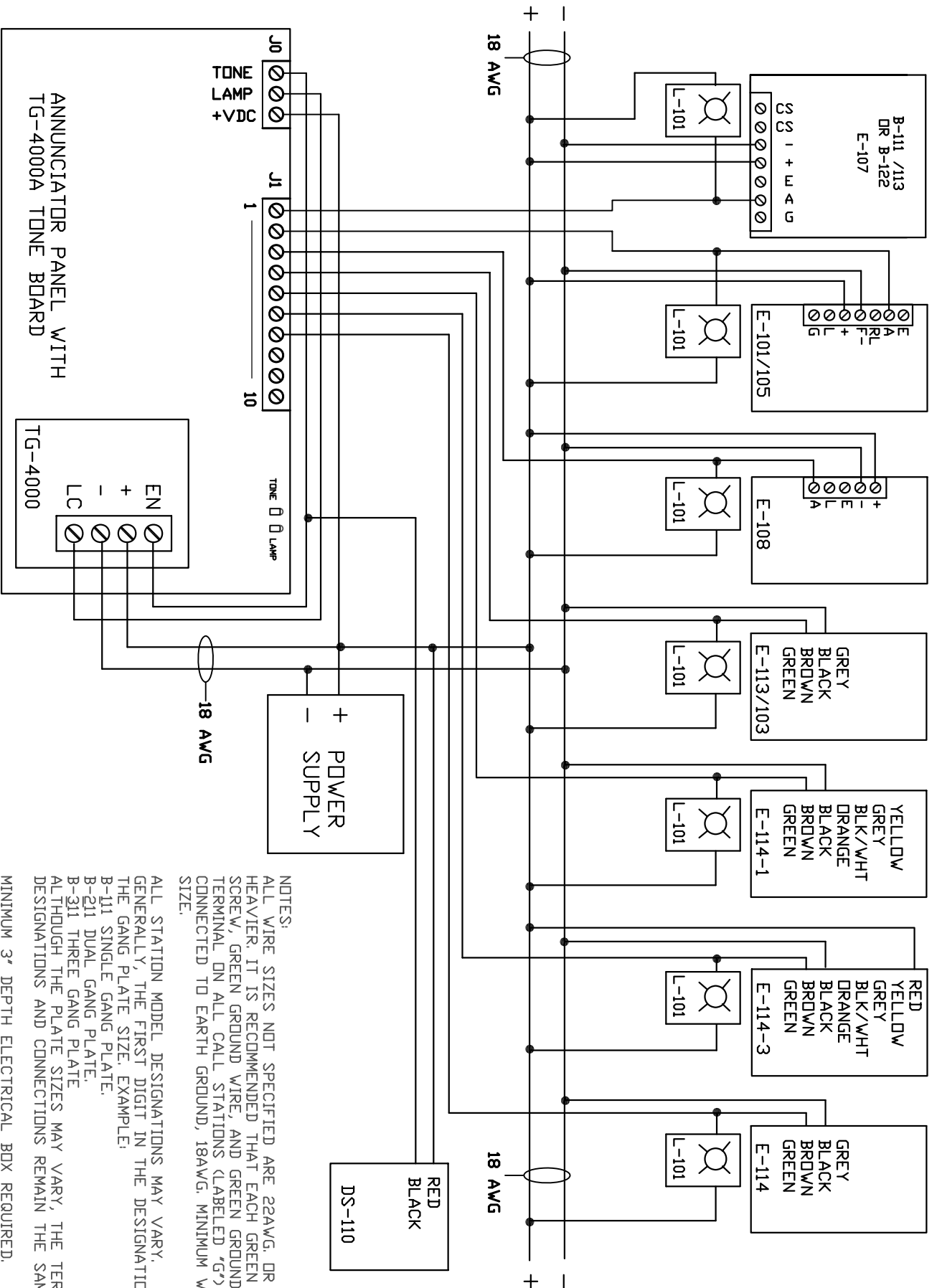
Duty Station

Indicators	Red LED call placed light
Tone	Piezo Electric
Finish	Single gang satin finish stainless steel
Designations	Silk-screened

Power Supplies

	P-512241A	P-512243A	B-5243A
Indicators	Red(on)-Green(on) Normal Operating Condition Red(on)-Green(off) Battery Backup is powering output Red(off)-Green(on) No DC output Red(off)-Green(off) Loss of AC Discharged No DC output	Red(on)-Green(on) Normal Operating Condition Red(on)-Green(off) Loss of AC Red(off)-Green(on) No DC output Red(off)-Green(off) Loss of AC Discharged No DC output	
Size	8 1/2" H x 7 1/2" W x 3 1/2" D	13 1/2" H x 12 3/4" W x 3 1/4" D	12" W x 14 3/4" L x 4 1/2" D
Amps	1 amp continuous at 12 & 24 VDC	4 amps continuous at 12 VDC 3 amps continuous at 24 VDC	3
Voltage	Switchable 12 & 24 VDC	Switchable 12 & 24 VDC	2 gel cell batteries included Switchable 12 & 24 VDC

*** Call factory to verify UL listed components.**



NOTES:
 ALL WIRE SIZES NOT SPECIFIED ARE 22AWG, OR HEAVIER. IT IS RECOMMENDED THAT EACH GREEN GROUND SCREW, GREEN GROUND WIRE, AND GREEN GROUND SCREW TERMINAL ON ALL CALL STATIONS (LABELED 'G') BE CONNECTED TO EARTH GROUND, 18AWG, MINIMUM WIRE SIZE.
 ALL STATION MODEL DESIGNATIONS MAY VARY, GENERALLY, THE FIRST DIGIT IN THE DESIGNATION IS THE GANG PLATE SIZE. EXAMPLE:
 B-111 SINGLE GANG PLATE.
 B-211 DUAL GANG PLATE.
 B-311 THREE GANG PLATE.
 ALTHOUGH THE PLATE SIZES MAY VARY, THE TERMINAL DESIGNATIONS AND CONNECTIONS REMAIN THE SAME.
 MINIMUM 3" DEPTH ELECTRICAL BOX REQUIRED.

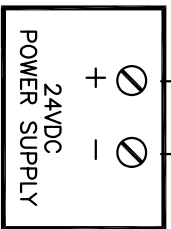
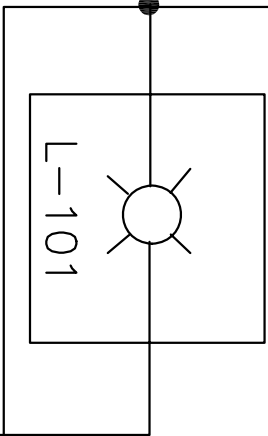
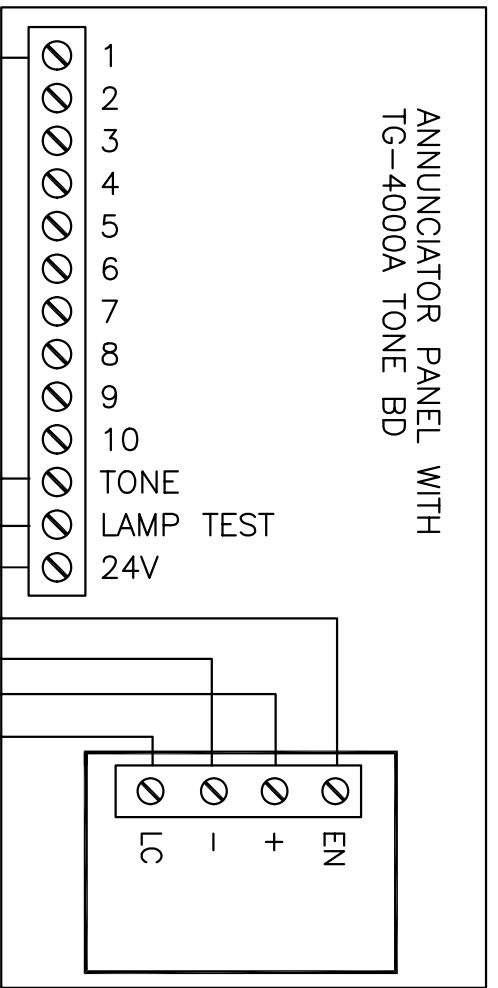
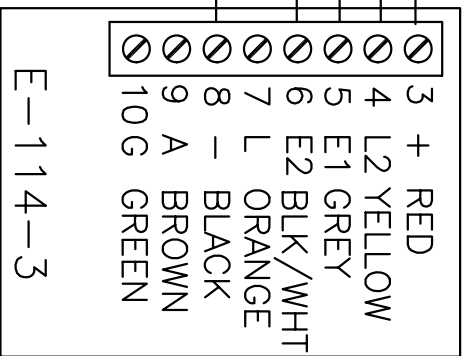
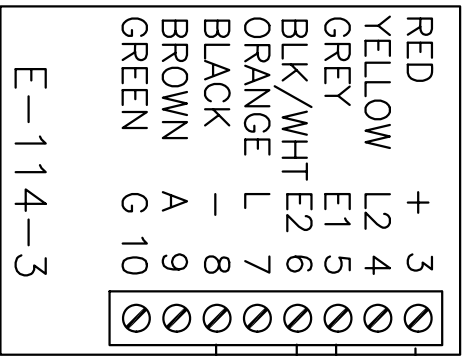
ANNUNCIATOR PANEL WITH
 TG-4000A TONE BOARD

TG-4000



DATE: DECEMBER 15, 2010
 TITLE: SINGLE STATUS SYSTEM

SYSTEM: 4000 NURSE CALL
 DRAWING # 90003-10 D4000W-1A



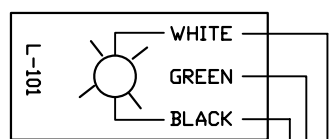
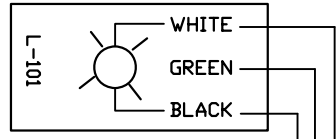
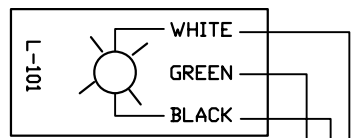
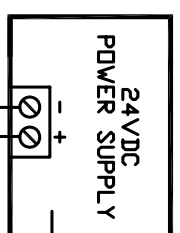
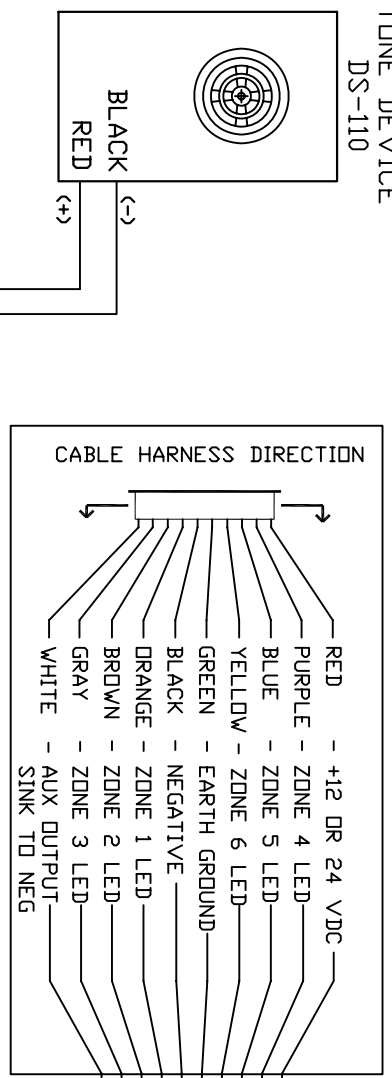
TO NEXT ROOM

NOTE:
ALL WIRE SIZES NOT SPECIFIED ARE 22AWG.
OR HEAVIER. IT IS RECOMMENDED THAT EACH GREEN
GROUND SCREW, GREEN GROUND WIRE, AND GROUND SCREW
TERMINAL ON CALL STATIONS (LABELED "G") BE CONNECTED
TO EARTH GROUND, 18AWG. WIRE MINIMUM.



*A-4003A/A-4006A

(OPTIONAL)
TONE DEVICE
DS-110



THE A-4003A/A-4006A CAN BE USED AS A GENERAL PURPOSE ANNUNCIATOR CONNECTED TO NDN-CORNELL EQUIPMENT.
LED ZONES 1-6 REQUIRE A 12VDC OR 24VDC NEGATIVE (-) CONNECTION FROM N.D. CONTACT.
THE 'AUX' OUTPUT SINKS TO POWER SUPPLY NEGATIVE @ 500 mA MAXIMUM.
THE ANNUNCIATOR OPERATES ON 12 DR 24VDC. EACH ZONE IS TRIGGERED WITH A SINK TO POWER SUPPLY NEGATIVE.

NOTE 1!
ALL WIRE SIZES NOT SPECIFIED ARE 22AWG. OR HEAVIER. IT IS RECOMMENDED THAT EACH GREEN TERMINAL ON CALL STATIONS (LABELED 'G') BE CONNECTED TO EARTH GROUND, 18AWG. WIRE MINIMUM.

NOTE 2!
THE A-4003A DOES NOT HAVE TERMINALS 4, 5 AND 6.



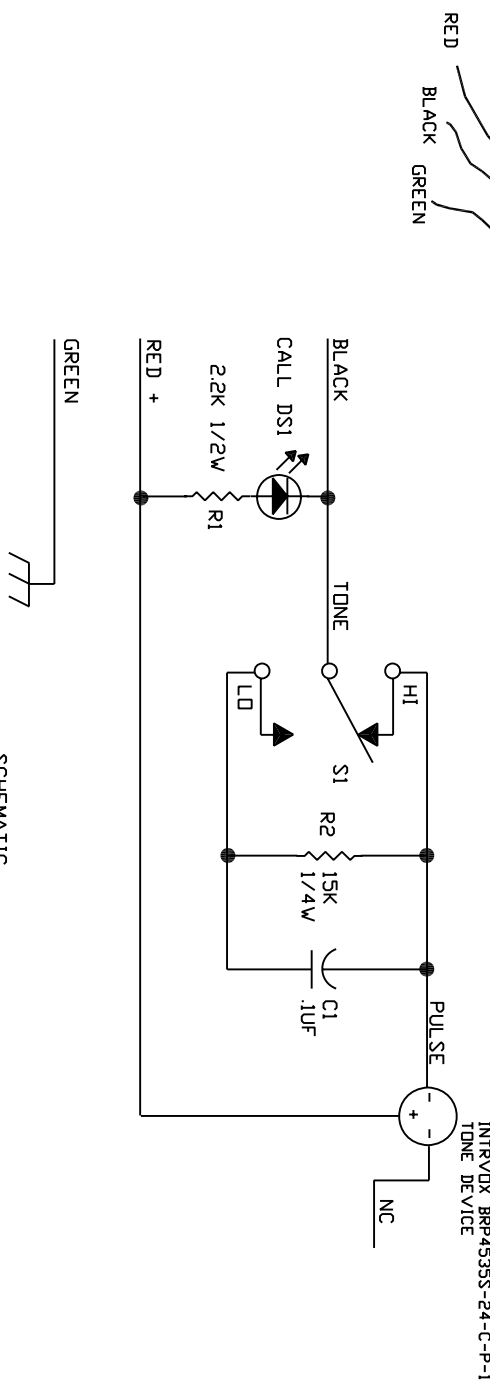
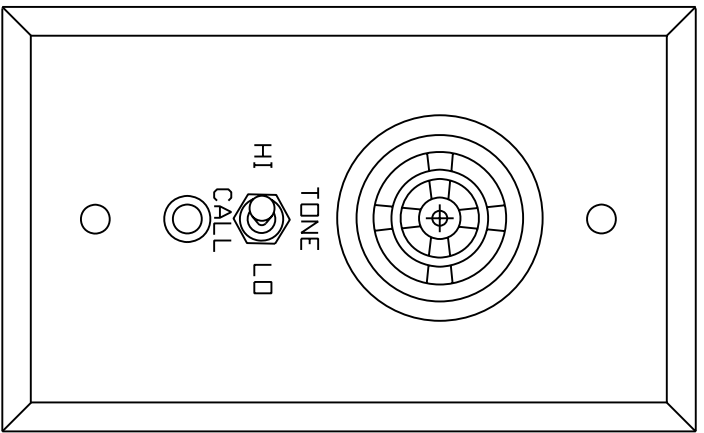
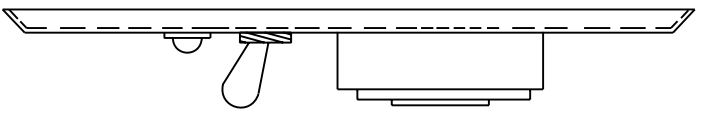
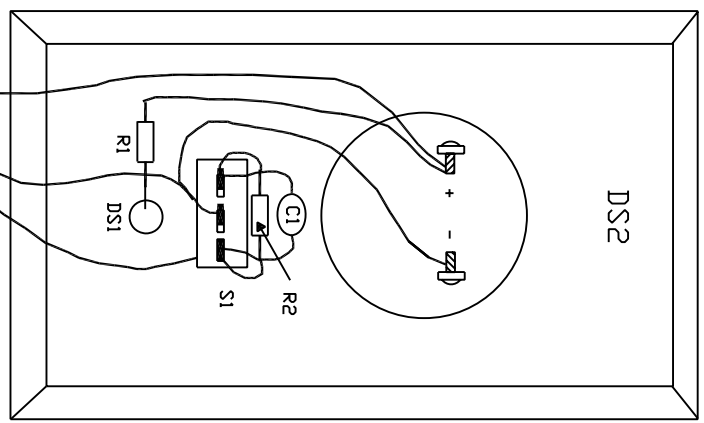
DATE: JUNE 22, 2011

SYSTEM: 4000 NURSE CALL

TITLE: A-4006A ANNUNCIATOR SYSTEM WIRING

DRAWING #90010-11

DA4006W

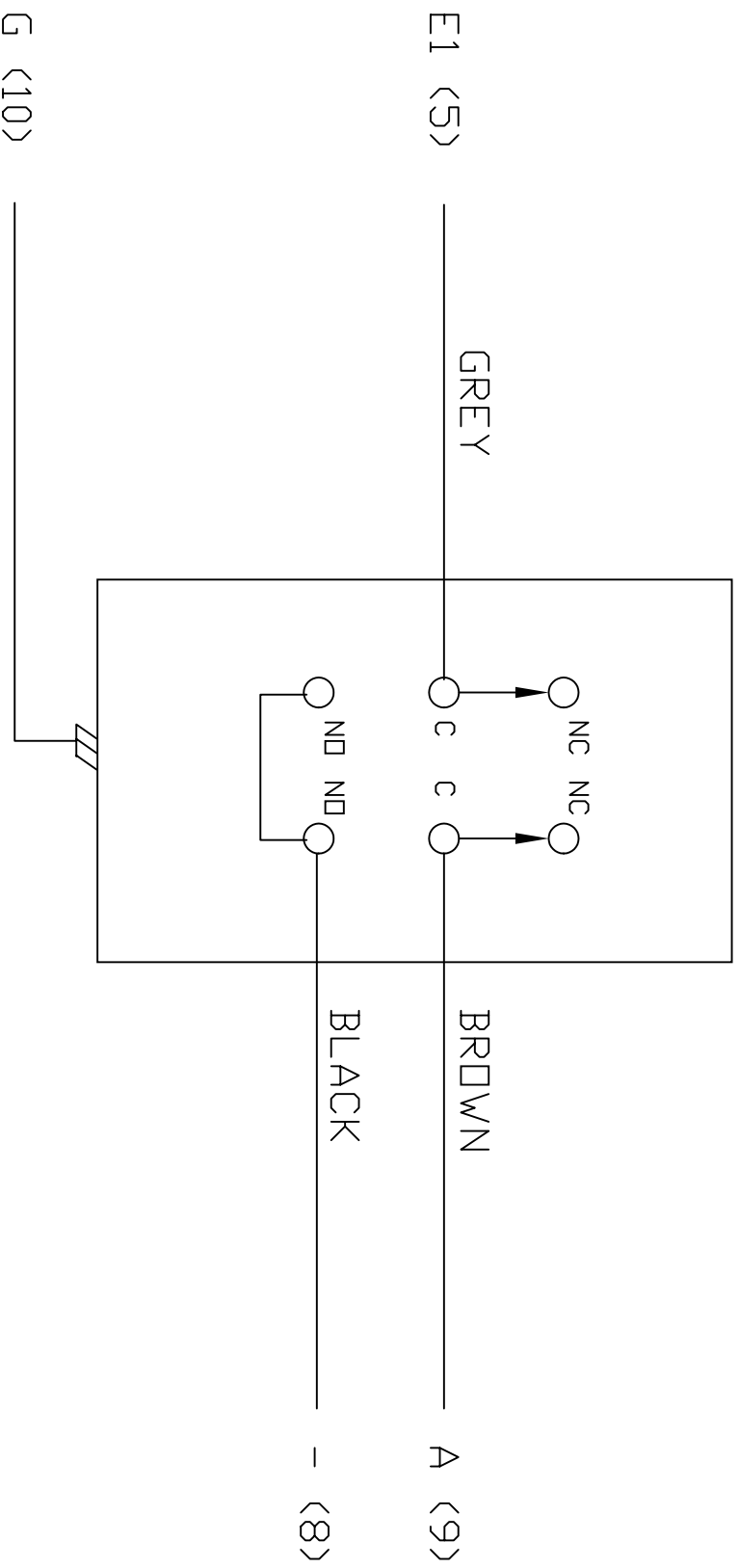


SCHEMATIC



DATE: JUNE 12, 2002
 TITLE: DS-110

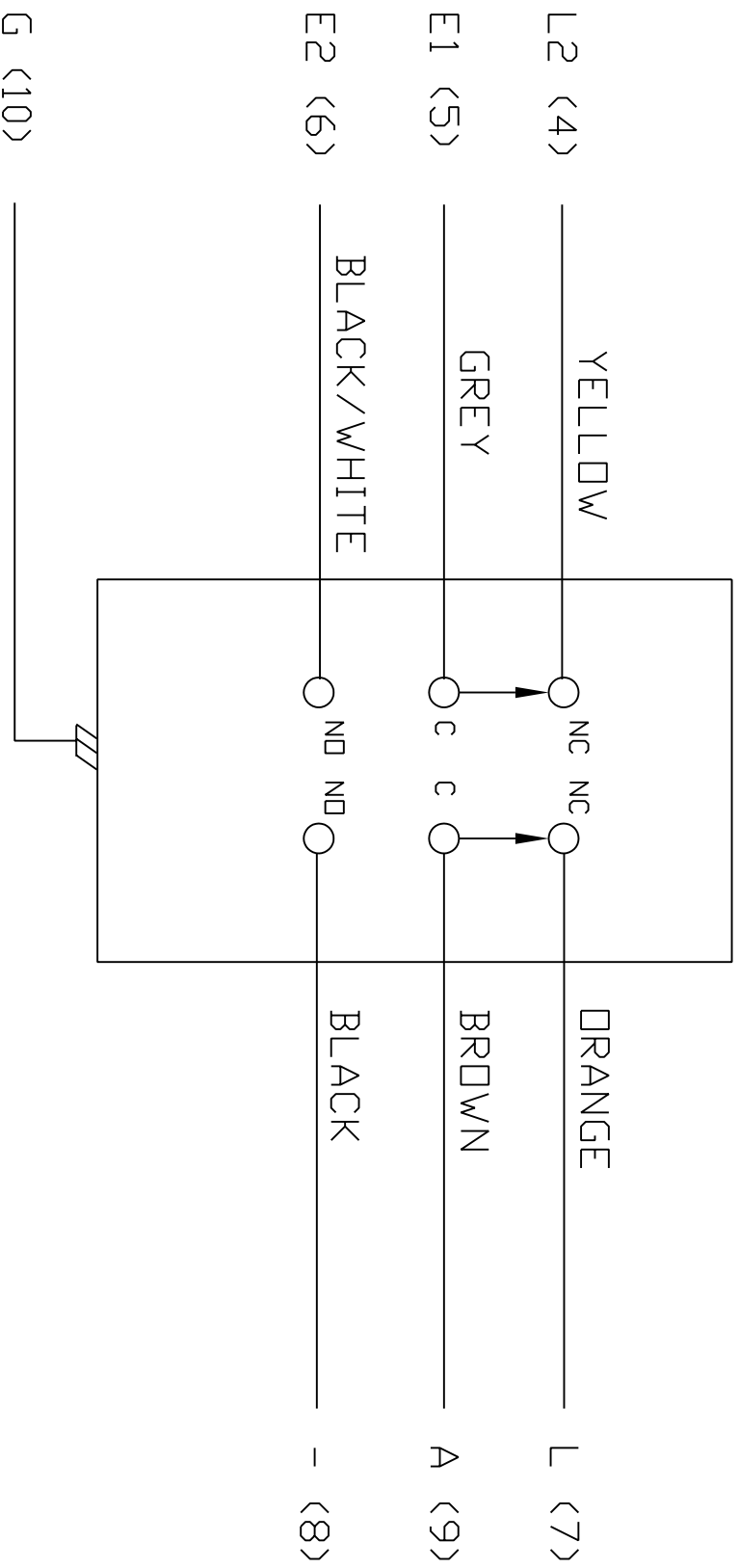
SYSTEM: NURSE CALL
 DRAWING # 8004



- NOTES:
1. GREEN WIRE PROVIDED FOR GROUNDING OF FACEPLATE.
 2. NUMBERS IN PARENTHESSES ARE TERMINAL NUMBERS ON THE OLDER VERSION STATIONS.



DATE: JUNE 12, 2002	SYSTEM: NURSE CALL
TITLE: E-114	DRAWING # 8018

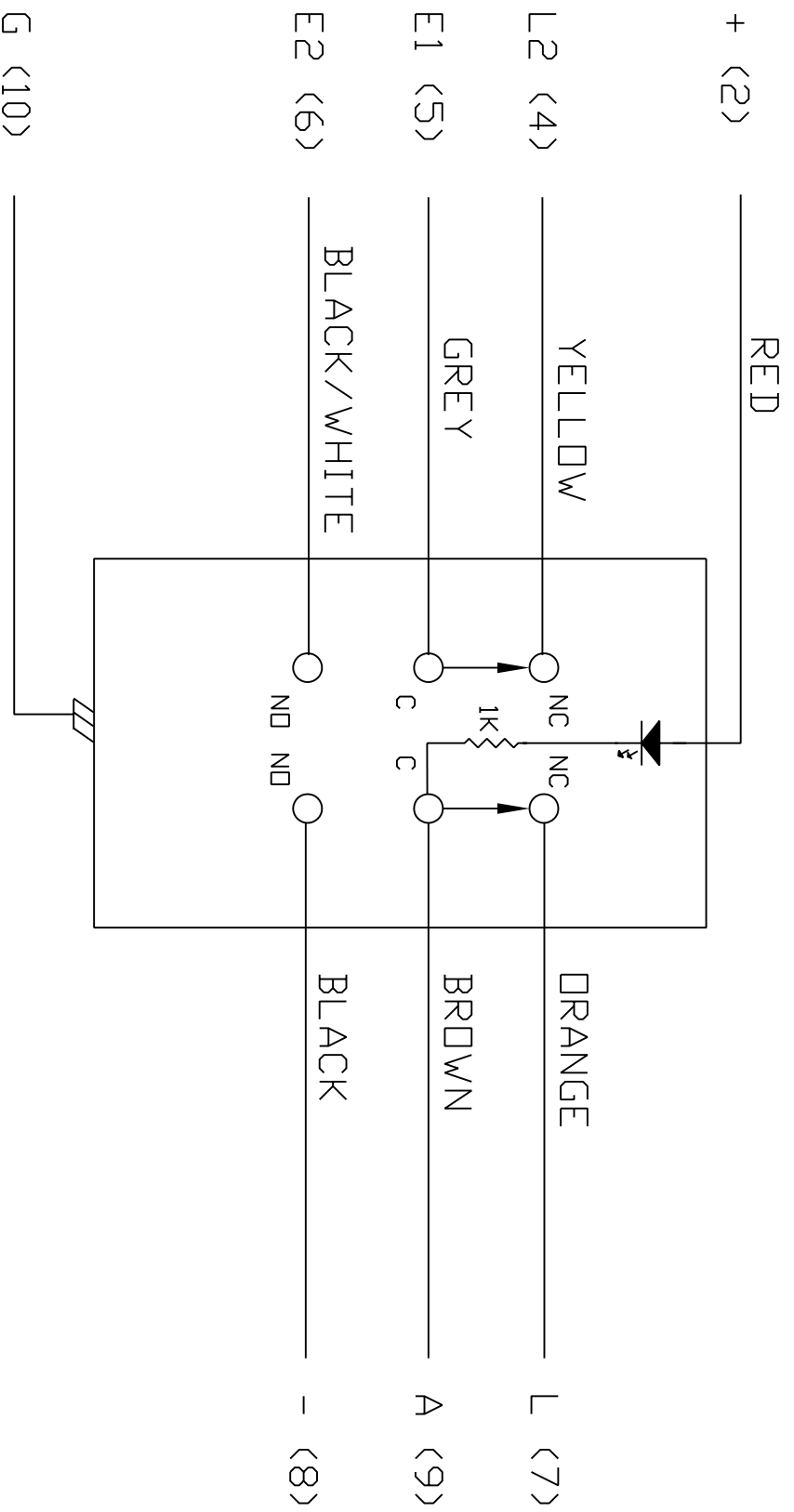


- NOTES:
1. GREEN WIRE PROVIDED FOR GROUNDING OF FACEPLATE.
 2. NUMBERS IN PARENTHESSES ARE TERMINAL NUMBERS ON THE OLDER VERSION STATIONS.



DATE: JUNE 12, 2002
 TITLE: E-114-1

SYSTEM: NURSE CALL
 DRAWING # 8019

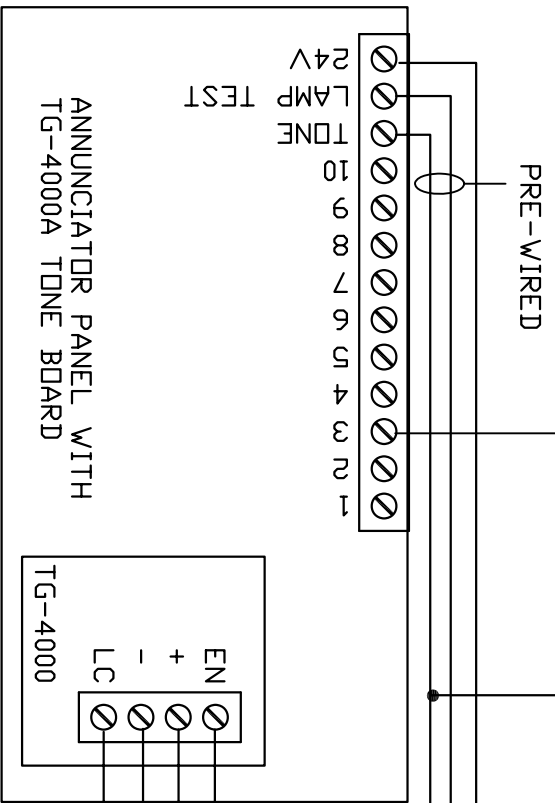
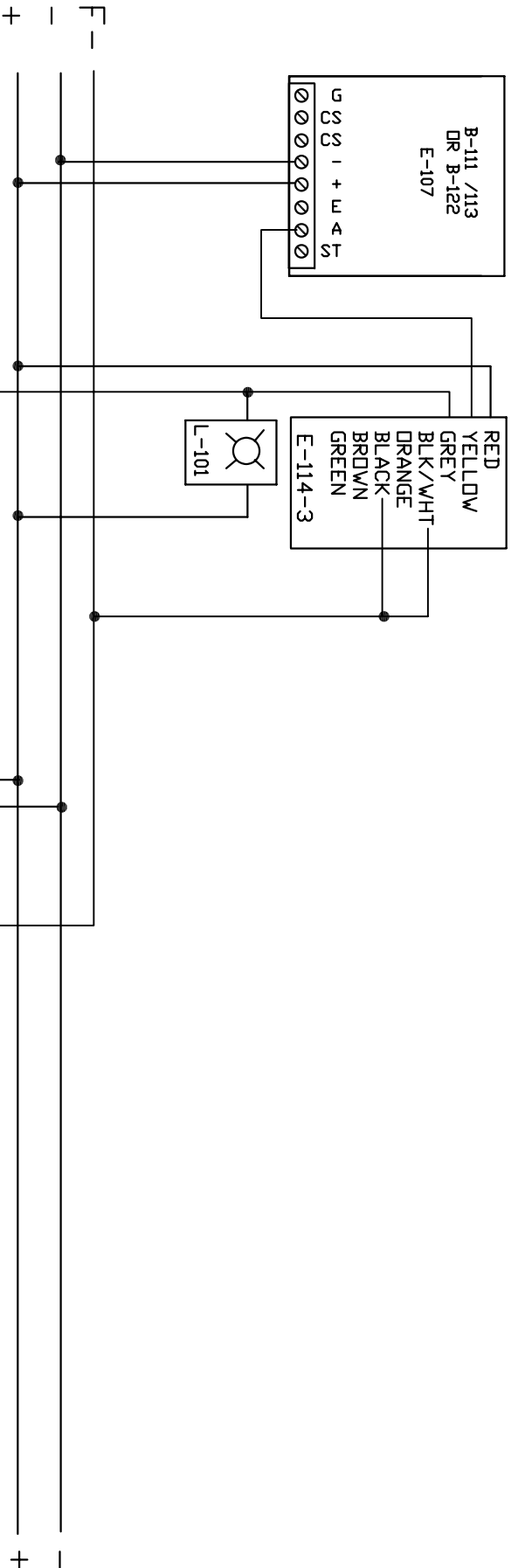


- NOTES:
1. GREEN WIRE PROVIDED FOR GROUNDING OF FACEPLATE.
 2. NUMBERS IN PARENTHESSES ARE TERMINAL NUMBERS ON THE OLDER VERSION STATIONS.
 3. LED AND RESISTOR ARE ONE ASSEMBLY.



DATE: JUNE 12, 2002
 TITLE: E-114-3

SYSTEM: NURSE CALL
 DRAWING # 8020



DATE: AUGUST 29, 2012
 TITLE: TYPICAL 4000 W/P-5000F FLASHER
 SYSTEM: 4000 NURSE CALL
 DRAWING # 90085-12