



RUTHERFORD CONTROLS  
dormakaba Group

**Installations of this RIM strike qualify as “Indoor Use Only” when not continuously exposed to an outdoor environment.**

**Important:** The F0162 or the 0162 Electric Strikes should never be used as a door stop. Please install stops on frame in appropriate locations. Ensure the exit device functions as intended for life safety concerns by verifying electric strike and exit device compatibility. Maximum latch projection is essential to obtain full holding force.

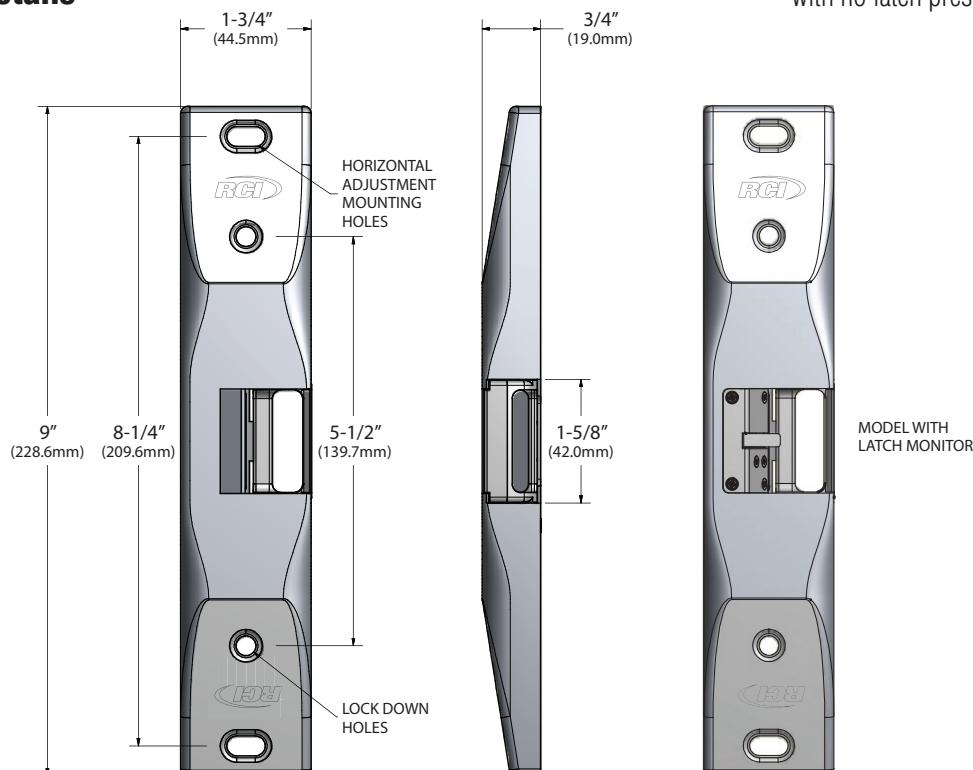
When installed in a fail secure manner, the local Authority Having Jurisdiction shall be consulted with regard to the use of selected panic hardware to ensure emergency exit from the secured area.

### Catalog Specifications

MODE	VOLTAGE	CURRENT	DUTY	AMPS	OHMS
Fail Secure	12V	AC	Intermittent	0.33	22
Fail Secure	12V	DC	Continuous	0.50	22
Fail Secure	24V	AC	Intermittent	0.64	22
Fail Secure	24V	DC	Continuous	0.24	89
Fail Secure	11-16V	AC	Intermittent	0.32-0.50	22

Fail Secure = Fail Locked = FL AC = Alternating Current DC = Direct Current  
Intermittent Duty = Energized less than 1 minute with 1:5 duty ratio Continuous Duty = Energized 1 minute or more

### Dimensional Details



UL 294 Performance Ratings:
Access Control Line Security : Level I
Destructive Attack : Level I
Endurance : Level IV
Standby Power : Level I

### Electrical Latch Monitor Specification:

- 12VDC, 1A, resistive load

**Note:** Contacts identified on the harness sleeve are indicated with the keeper in a closed and locked condition, with no latch present

## Instructions

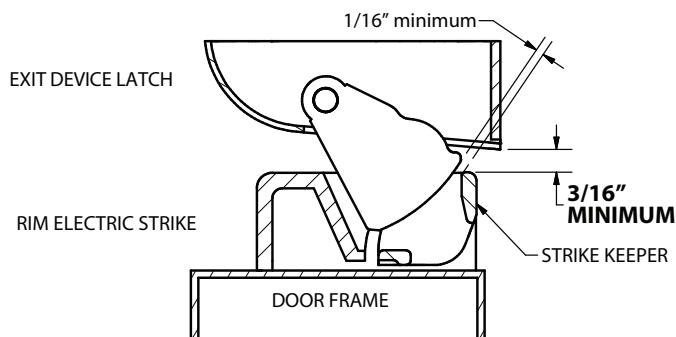
1. Determine the horizontal centerline of the exit device latch and transfer centerline to the frame stop.
2. Position the template onto the frame aligning with centerline and against the closed door. Center-punch the two mounting holes and the wire access hole as shown.
3. Drill and tap the two mounting holes and drill the wire access hole(s).
4. Test fit electric strike to ensure full latch engagement. Add provided spacer if required.
5. Make wire connections from the power source to the appropriate wire harness supplied. Use 12VDC wire harness for 12VDC, 12-24VAC or 11-16VAC input power. Use 24VDC wire harness for 24VDC input power only.

**NOTE:** Overheated or burnt coils caused by incorrect input voltage / wire harness combinations will not be covered under warranty

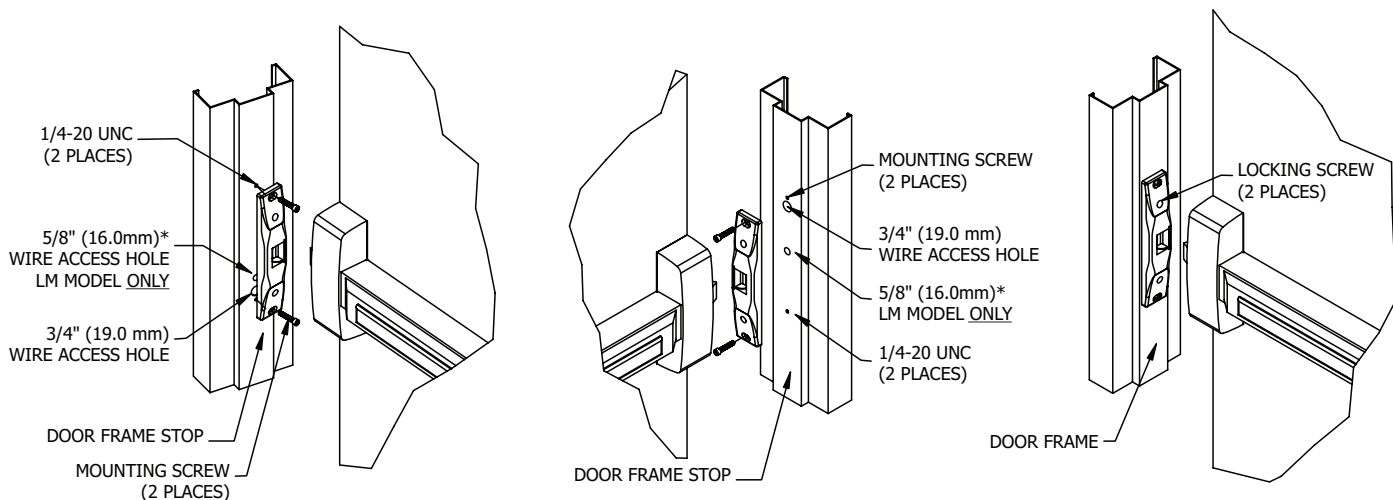
6. Connect monitor wires of LM model.
7. Mount the electric strike with 1/4-20 UNC screws provided in the horizontal mounting holes (the outer slots). Adjust electric strike horizontally until exit device latch fully engages with the door closed.

**NOTE:** Ensure a 1/16" [1.5mm] clearance between exit device latch and the electric strike keeper is maintained. Failing to do so will preload the strike and in turn will not allow the strike to release the door upon energizing.

**WARNING:** For proper operation, a 3/16" gap (minimum) is required.



8. Tighten the two mounting screws and check operation. Adjust the horizontal position of electric strike as required.
9. Use the electric strike as a template to mark the two locking holes. Remove strike. Drill & tap for 1/4-20 UNC locking screws. Using the 1/4-20 UNC screws provided secure the electric strike through the locking holes.



**NOTE:** Wire access hole locations are relative to the exit device orientation. **NOTE:** \*Second wire access hole required for 0162LM only

**NOTE:** Not to scale. Specifications are subject to change without notice.