

Overview

LifeSafety Power/AXIS integrated access power systems combine AXIS A1210-B and AXIS A1610-B Network Door Controllers with LSP's advanced power modules within a single enclosure.

Standard models provide 2A at 12V and 2A at 24V (2-4 Door systems) or 4A at 12V and 4A at 24VDC (6-8 Door systems). Four or eight fused lock outputs are controlled by the AXIS controller(s) and protect the controllers' relays from high current lock switching. Fused auxiliary outputs are available for powering Request To Exit (REX) or other devices.

Networked models add network management to the dual voltage standard features. Network management allows measurement of lock voltage and current, scheduled remote automated battery testing, email alerts on trouble conditions or impending lock failure, and more.

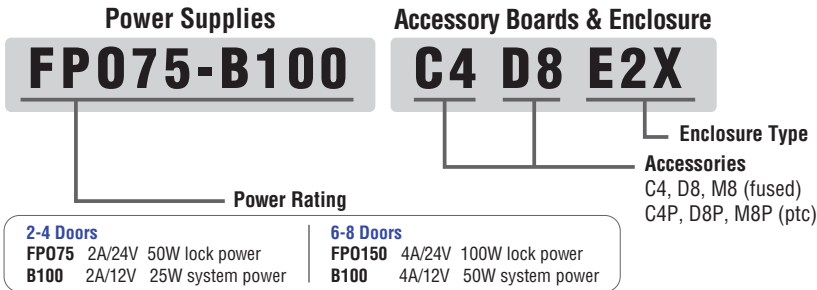
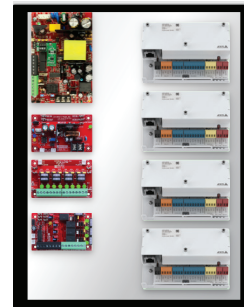
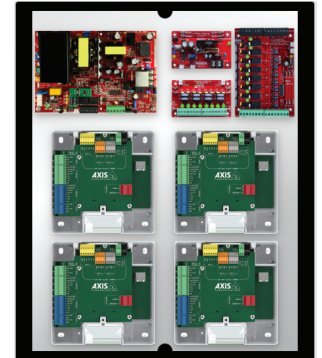
All models include preinstalled DIN rail for mounting of the AXIS controllers.


Standard Features

- ◆ Integrated power & access
- ◆ 120 or 230VAC input
- ◆ SLA or LiFePO4 battery charging
- ◆ Aux & lock power outputs
- ◆ Steel enclosure, lock set, tamper switch

Network Benefits

- ◆ **Monitor:** ac power, system faults, service due
- ◆ **Control:** device power cycle, remote battery test
- ◆ **Predict:** battery life, lock replacement
- ◆ **Report:** 1000 event log, fault analysis


Part Number Nomenclature

E2X 20 x 16

2-4DR
E4X 24 x 20

6-8DR
Ordering

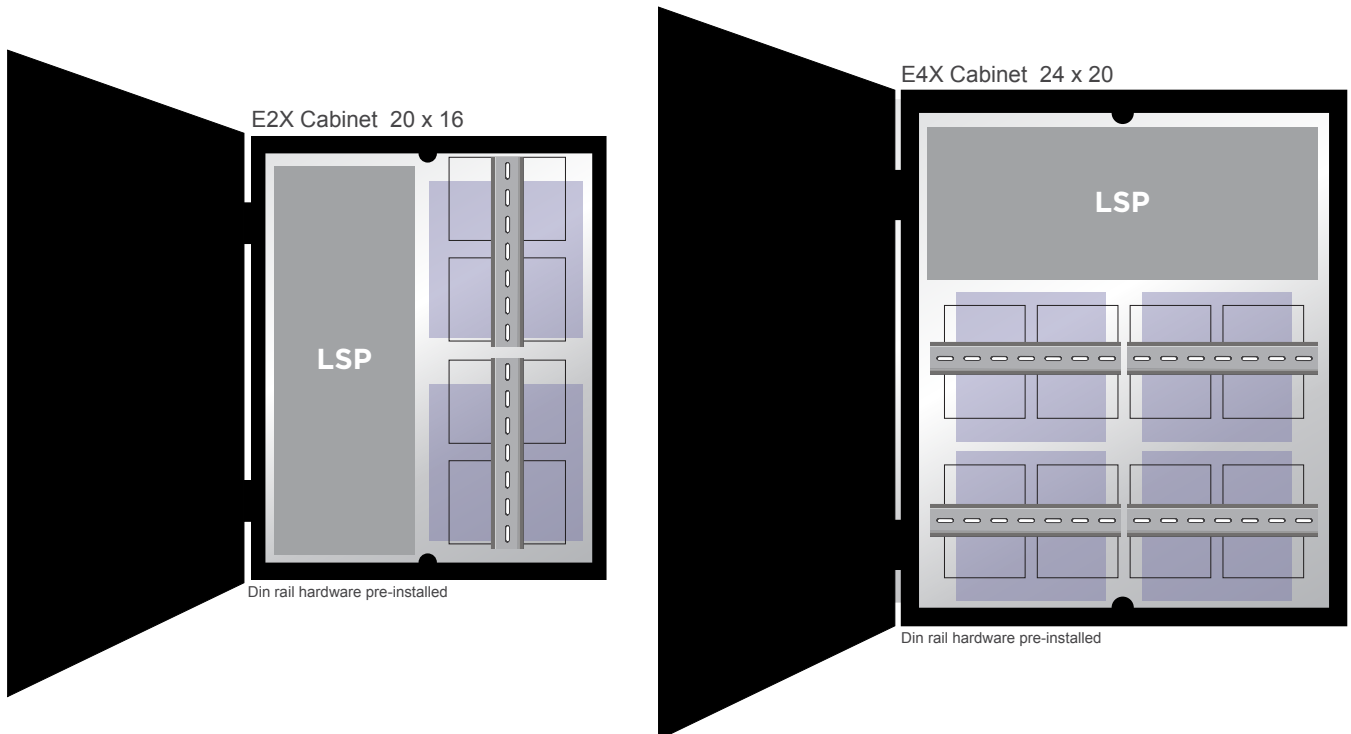
DOORS	TYPE	MODEL NUMBER TO ORDER	POWER	OUTPUTS	CABINET SIZE
2-4DR	STANDARD	FPO75-B100C4D8E2X	2A @ 12V and 2A @ 24V	8 Auxiliary 4 Control	E2X 20H x 16W x 4.5D
	NETWORK	FPO75-B100M8NL4E2X		8 Managed	
6-8DR	STANDARD	FPO150-B100C8D8E4X	4A @ 12V and 4A @ 24V	8 Auxiliary 8 Control	E4X 24H x 20W x 6.5D
	NETWORK	FPO150-B100D8M8NL4E4X		8 Auxiliary 8 Managed	

Models listed are 120VAC. For 230VAC add "/E" to the end of the model number. Ex FPO150-B100C8D8E4X/E

System Specifications

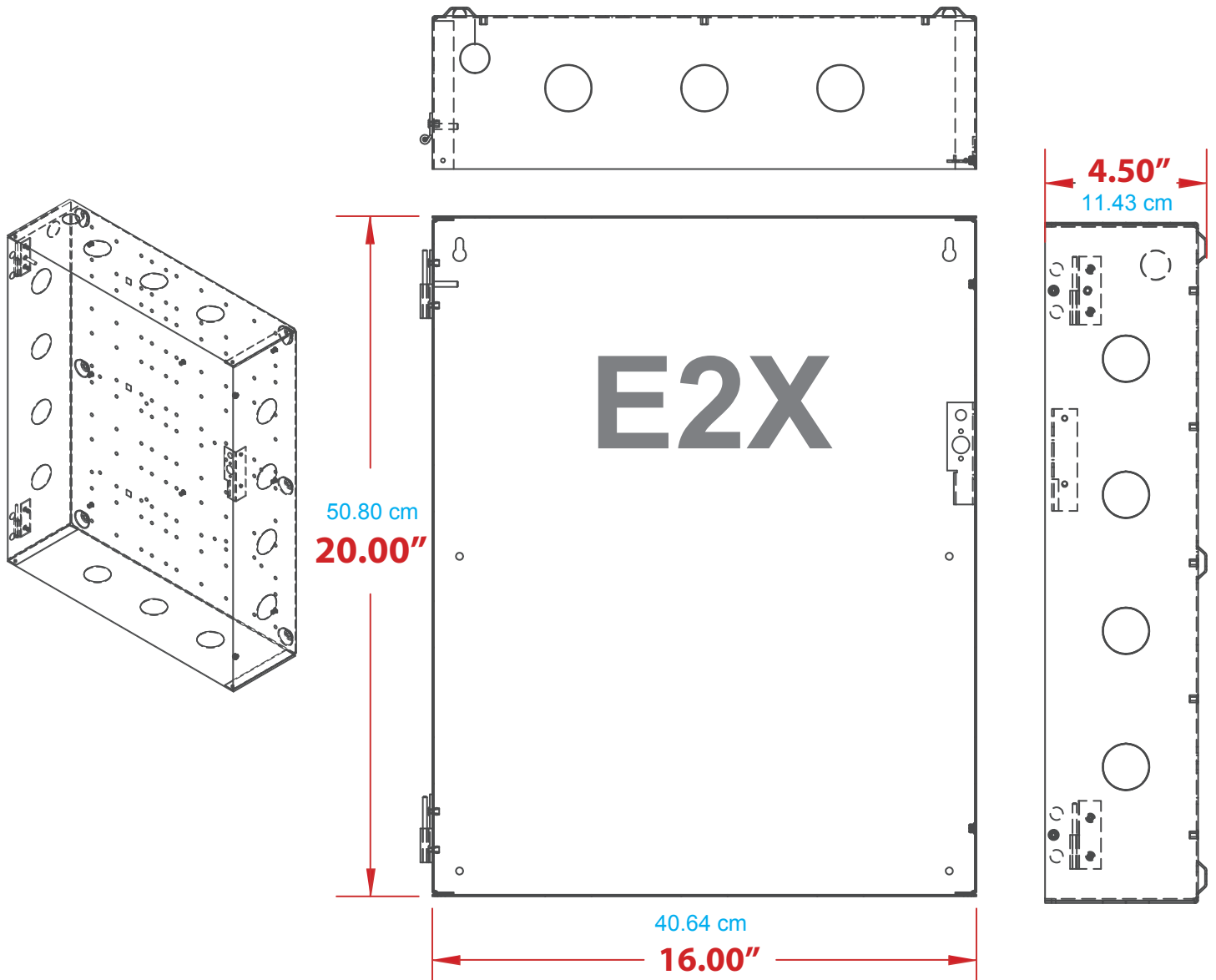
Power Supplies	FP075-B100	2A/24V and 2A/12V (2-4DR Dual Voltage) Input 120/230VAC 50/60Hz 83 Watts (0.69A)
	FP0150-B100	4A/24V and 4A/12V (6-8DR Dual Voltage) Input 120/230VAC 50/60Hz 170 Watts (1.4A)
		Overload and short circuit protection Over temperature protection Polarized AC power supply disconnect
Battery Charging	Independent built-in charger for sealed lead-acid or gel type batteries Microprocessor dual rate charging of 12 or 24V battery sets Automatic switchover to standby battery when AC fails Zero voltage drop when switched over to battery backup	
Supervision	AC Fault (form "C" contacts) System Fault (form "C" contacts) System Fault conditions: Low or no battery short to earth ground power supply failure	
Distribution Modules	D8	8 auxiliary outputs, fused at 3A per output
	C4, C8	4 or 8 relay lock control outputs, fused at 3A per output
	M8	8 relay managed outputs, fused at 3A per output
Network Management	NL4	Four port module. Monitors and reports power supply status. Tests and reports battery health status.
	M8	Monitors eight (8) individual outputs. Remote reset each output. Set window thresholds for voltage & current.
Enclosures	E2X	Size: 20.00H x 16.00W x 4.50D in. (51.00 x 41.00 x 11.50 cm) Weight: 20 lbs.
	E4X	Size: 24.00H x 20.00W x 6.50D in. (61.00 x 50.00 x 16.50 cm) Weight: 28 lbs.
		<i>E2X and E4X enclosures contain preinstalled DIN rail for mounting AXIS controllers.</i>
Regulatory Compliance	USA/Canada	UL294, UL1076 ULC S319 CSA C22.2 #107.1 FCC Part 15 CSFM
	International	CE: IEC 62368-1:2014, EN55032:2015, EN61000-3-2:2014, EN61000-3-3:2013, EN55024:2010 +A1:2015 India BIS IS13252(Part1):2010 Mexico NOM 001:2018

E2X | E4X Backplate Pattern: AXIS A1210-B, A1610-B Network Door Controllers



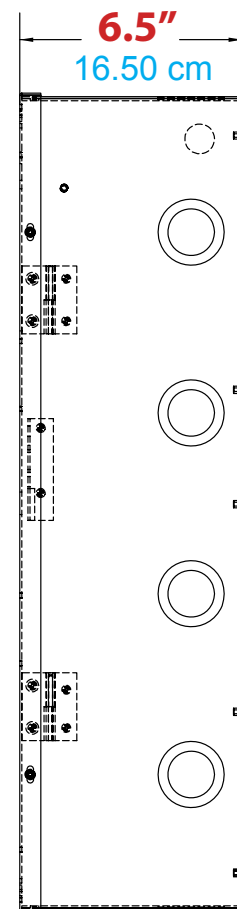
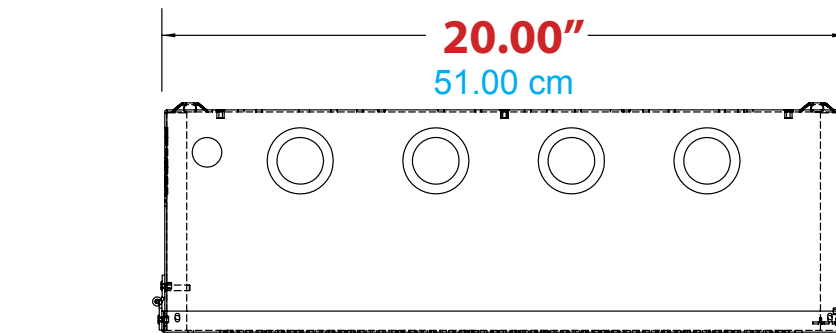
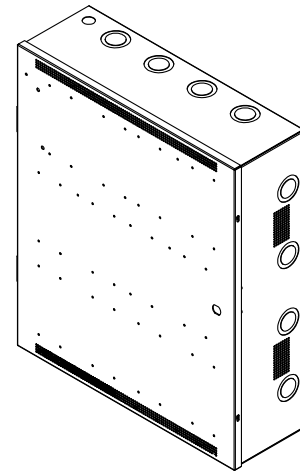
Mechanical Specification

E2X Enclosure Dimensions
20H x 16W x 4.5D"



Mechanical Specification

E4X Enclosure Dimensions
24H x 20W x 6.5D"



LifeSafety Power
10027 S. 51st Street, Suite 102
Phoenix, AZ 85044 USA
PH 888-577-2898
info@lifesafetypower.com

01/24

LifeSafety Power warrants to the original purchaser only that all products will be free from defects in material or workmanship at time of shipment. This warranty is non-transferable. Our obligation under this warranty is limited to repair or replacement, at the sole discretion of LifeSafety Power, of products that are defective in material or workmanship at the time of shipment provided they were used within the specified ratings and installed in accordance with accepted engineering practices. Products in the Unified Wired Systems Classification will be wired to the LifeSafety Power description of operation unless otherwise stated. At the time of installation it is the obligation of the purchaser or final installer to verify that all wired terminations provide the desired operation. In no event shall LifeSafety Power be responsible for any special, incidental or consequential damages even if LifeSafety Power has been advised of the possibility of such damages. Customer hereby agrees to indemnify LifeSafety Power for and hold LifeSafety Power harmless from and against any and all loss, cost or expense (including reasonable attorneys' fees) directly or indirectly related to any claim with respect to Unified Wired™ systems classification products except to the extent any such claim shall result from the gross negligence or willful misconduct of LifeSafety Power.