

# TRIVE™

Access & Power Integration

## Altronix/Software House Kits

### Models Include:

#### T2SK78V

8 Door Kit with Fused Outputs

Fully assembled kit includes:

- Trove2 enclosure with TSH2 Altronix/Software House backplane
- One (1) AL1024XB2V - Power Supply/Charger
- One (1) ACM8 - Fused Access Power Controller
- One (1) VR6 - Voltage Regulator
- One (1) PDS8 - Dual Input Fused Power Distribution Module
- One (1) Rocker Switch Bracket with One (1) Rocker Switch

#### T3SK758V

8 Door Kit with Fused Outputs

Fully assembled kit includes:

- Trove3 enclosure with TSH3 Altronix/Software House backplane
- One (1) AL1024XB2V - Power Supply/Charger
- One (1) AL1012XB220 - Power Supply/Charger
- One (1) ACM8 - Fused Access Power Controller
- One (1) PD8UL - Fused Power Distribution Module
- One (1) Rocker Switch Bracket with Two (2) Rocker Switches

#### T3SK7516V

16 Door Kit with Fused Outputs

Fully assembled kit includes:

- Trove3 enclosure with TSH3 Altronix/Software House backplane
- One (1) AL1024XB2V - Power Supply/Charger
- One (1) AL1012XB220 - Power Supply/Charger
- Two (2) ACM8 - Fused Access Power Controllers
- One (1) PD8UL - Fused Power Distribution Module
- One (1) Rocker Switch Bracket with Two (2) Rocker Switches

#### T2SK78DV

8 Door Kit with PTC Outputs

Fully assembled kit includes:

- Trove2 enclosure with TSH2 Altronix/Software House backplane
- One (1) AL1024XB2V - Power Supply/Charger
- One (1) ACM8CB - PTC Access Power Controller
- One (1) VR6 - Voltage Regulator
- One (1) PDS8CB - Dual Input PTC Power Distribution Module
- One (1) Rocker Switch Bracket with One (1) Rocker Switch

#### T3SK758DV

8 Door Kit with PTC Outputs

Fully assembled kit includes:

- Trove3 enclosure with TSH3 Altronix/Software House backplane
- One (1) AL1024XB2V - Power Supply/Charger
- One (1) AL1012XB220 - Power Supply/Charger
- One (1) ACM8CB - PTC Access Power Controller
- One (1) PD8ULCB - PTC Power Distribution Module
- One (1) Rocker Switch Bracket with Two (2) Rocker Switches

#### T3SK7516DV

16 Door Kit with PTC Outputs

Fully assembled kit includes:

- Trove3 enclosure with TSH3 Altronix/Software House backplane
- One (1) AL1024XB2V - Power Supply/Charger
- One (1) AL1012XB220 - Power Supply/Charger
- Two (2) ACM8CB - PTC Access Power Controllers
- One (1) PD8ULCB - PTC Power Distribution Module
- One (1) Rocker Switch Bracket with Two (2) Rocker Switches

Please refer to the included corresponding Sub-Assembly Installation Guides for further information.

## Installation Guide



All registered trademarks are property of their respective owners.

Rev. TSKLV052323

Installing Company: \_\_\_\_\_ Service Rep. Name: \_\_\_\_\_

Address: \_\_\_\_\_ Phone #: \_\_\_\_\_



More than just power.™

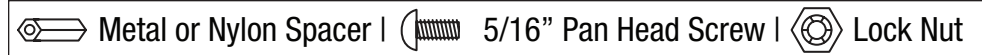
## Overview:

Altronix Trove Software House kits are pre-assembled and consist of Trove enclosure with factory installed Altronix power supply/chargers and sub-assemblies. These kits also accommodate various combinations of Software House boards for up to twenty four (24) doors in a single enclosure.

## Configuration Chart:

Altronix Model Number	220VAC 60Hz Input Current (A)	Power Supply Board Input Fuse Rating	Power Supply Board Battery Fuse Rating	Nominal DC Output Voltage Options		Maximum Supply Current for Main Output on Power Supply board and ACM8(CB) Access Power Controller's outputs (A)	Fail-Safe/ Fail-Secure Outputs	Current Per ACM8(CB) Output (A)	ACM8(CB) Board Input Fuse Rating	ACM8(CB) Board Output Fuse (PTC) Rating	PDS8(CB) Board Input Fuse (PTC) Rating	PDS8(CB) Board Output Fuse (PTC) Rating	PD8UL(CB) Board Output Fuse (PTC) Rating
				Power Supply 1	Power Supply 2								
				24VDC Output Range (V)	12VDC Output Range (V)								
T2SK78V	2.5	5A/250V	15A/32V	20.17-26.4	-	24VDC @ 9.2A	8	2.5	10A/250V	3.5A/250V	10A/32V	3A/32V	-
T2SK78DV								2.0	10A/250V	2.5A	9A	2.5A	
T3SK758V	3.8	5A/250V	15A/32V	20.19-26.4	10.0-13.2	24VDC @ 9.2A	8	2.5	10A/250V	3.5A/250V	-	-	3.5A/250V
T3SK758DV								2.0	10A/250V	2.5A	-	-	2.5A
T3SK7516V	3.8	5A/250V	15A/32V	20.19-26.4	10.0-13.2	24VDC @ 9.2A	16	2.5	10A/250V	3.5A/250V	-	-	3.5A/250V
T3SK7516DV								2.0	10A/250V	2.5A	-	-	2.5A

## Hardware and Accessories:

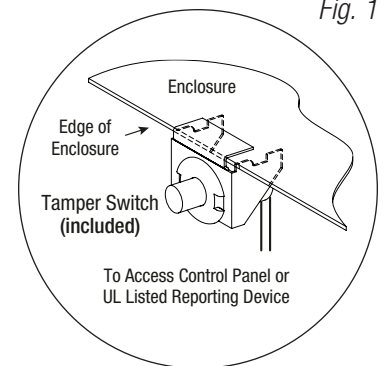


- Tamper switch (Altronix Model TS112 or equivalent) - one (1) for **T2SK78(D)V**, two (2) for **T3SK758(D)V** or **T3SK7516(D)V**.
- Cam lock.
- Battery leads.

## Installation Instructions:

Wiring methods shall be in accordance with the National Electrical Code/NFPA 70/ANSI, and with all local codes and authorities having jurisdiction. Product is intended for indoor use only.

1. Remove backplane from enclosure. Do not discard hardware.
2. Mark and predrill holes in the wall to line up with the top three keyholes in the enclosure. Install three upper fasteners and screws in the wall with the screw heads protruding. Place the enclosure's upper keyholes over the three upper screws, level and secure. Mark the position of the lower three holes. Remove the enclosure. Drill the lower holes and install the three fasteners. Place the enclosure's upper keyholes over the three upper screws. Install the three lower screws and make sure to tighten all screws.
3. Mount included UL Listed tamper switch (Altronix Model TS112 or equivalent) in desired location, opposite hinge. Slide the tamper switch bracket onto the edge of the enclosure approximately 2" from the right side (*Fig. 1, pg. 2*). Connect tamper switch wiring to the Access Control Panel input or the appropriate UL Listed reporting device. To activate alarm signal open the door of the enclosure.
4. Mount Software House boards to backplane, refer to pages 3-5.
5. Refer to the *XBV Power Supply/Charger Installation Guide* for AL1012XB220 and AL1024XB2V and corresponding *Sub-Assembly Installation Guides* for the following models: PD8UL(CB), ACM8(CB), PDS8(CB), VR6 for further installation instructions.



## T2SK78V and T2SK78DV: Configuration of Software House iSTAR Ultra ACM or ACM SE Boards

1. Align the Software House boards on the backplane to match the boards' mounting holes with corresponding pems.
2. Fasten spacers (provided) to pems that match the hole pattern for Software House iSTAR Ultra GCM, iSTAR Ultra ACM, iSTAR Ultra ACM SE and/or I8, R8, I8-CSI boards (Fig. 2, 2a, pg. 3).
3. Mount Software House boards to spacers utilizing provided 5/16" pan head screws (Fig. 2a, pg. 3).

**Note:** Software House iSTAR Ultra ACM and iSTAR Ultra ACM SE boards have one (1) USB port each.

Please orient the board in the appropriate position according to the Fig. 2 below.

4. Fasten backplane to Trove2 enclosure utilizing lock nuts (provided).

Fig. 2

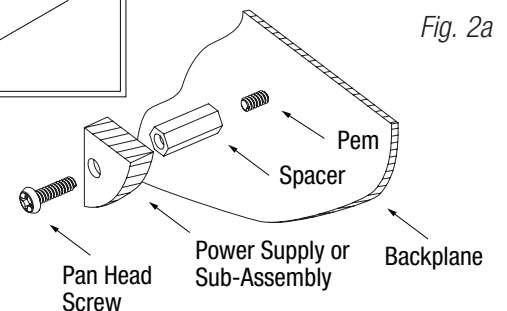
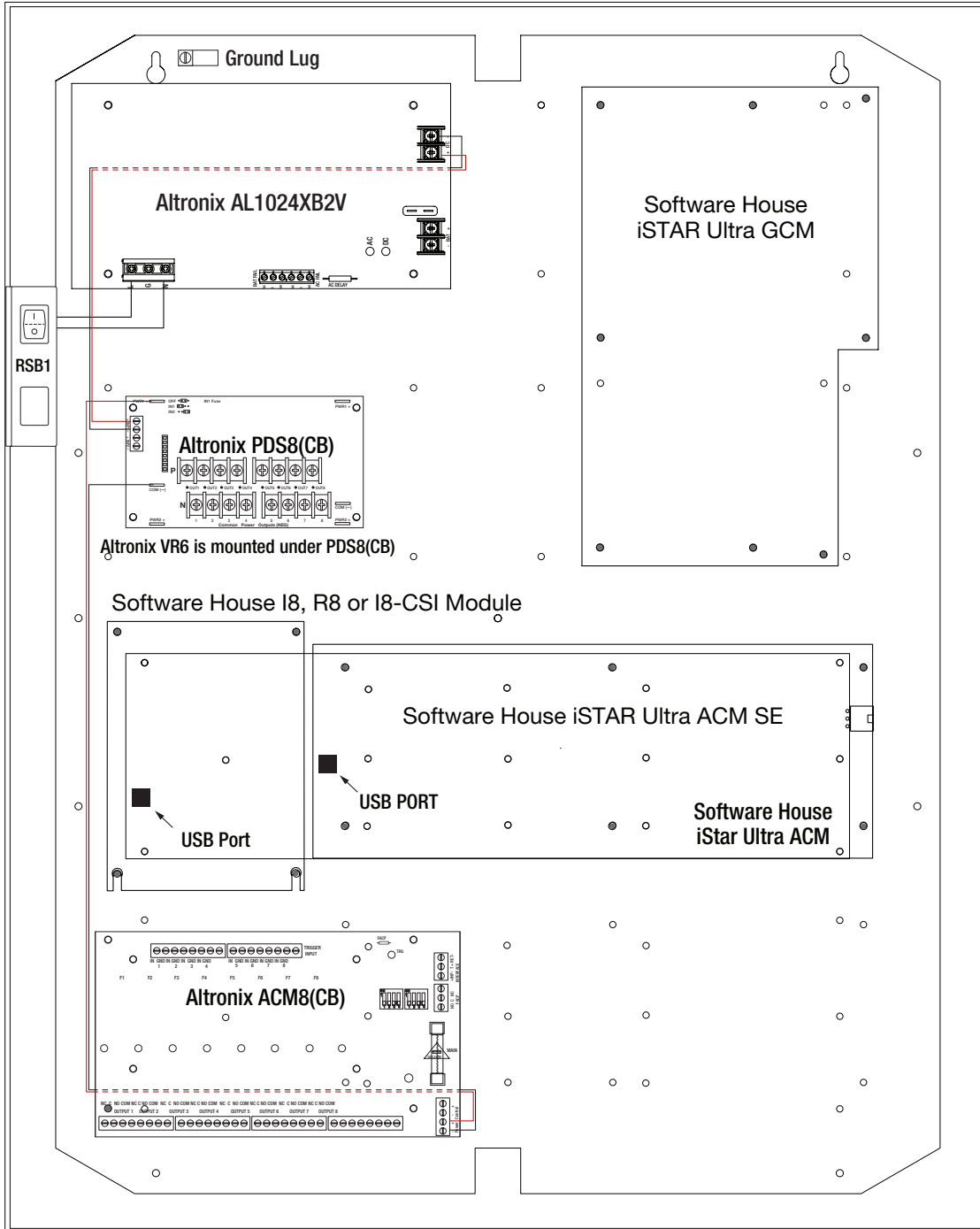


Fig. 2a

## T3SK758V and T3SK758DV: Configuration of Software House iSTAR Ultra ACM Boards

1. Align the Software House boards on the backplane to match the boards' mounting holes with pems provided.
2. Fasten spacers (provided) to pems that match the hole pattern for Software House iSTAR Ultra GCM, iSTAR Ultra ACM, and/or I8, R8, I8-CSI boards (Fig. 3, 3a, pg. 4).
3. Mount Software House boards to spacers utilizing provided 5/16" pan head screws (Fig. 3a, pg. 4).
  - Note:** Software House iSTAR Ultra ACM boards have one (1) USB port each. Please orient the board in the appropriate position according to the Fig. 3 below.
4. Fasten backplane to Trove3 enclosure utilizing lock nuts (provided).

Fig. 3

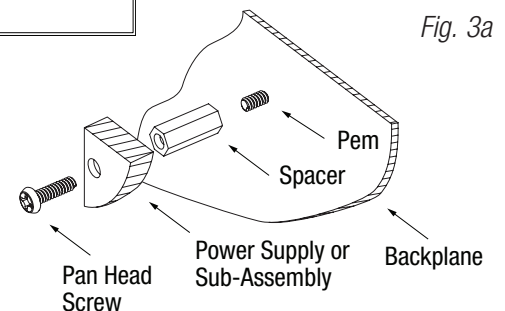
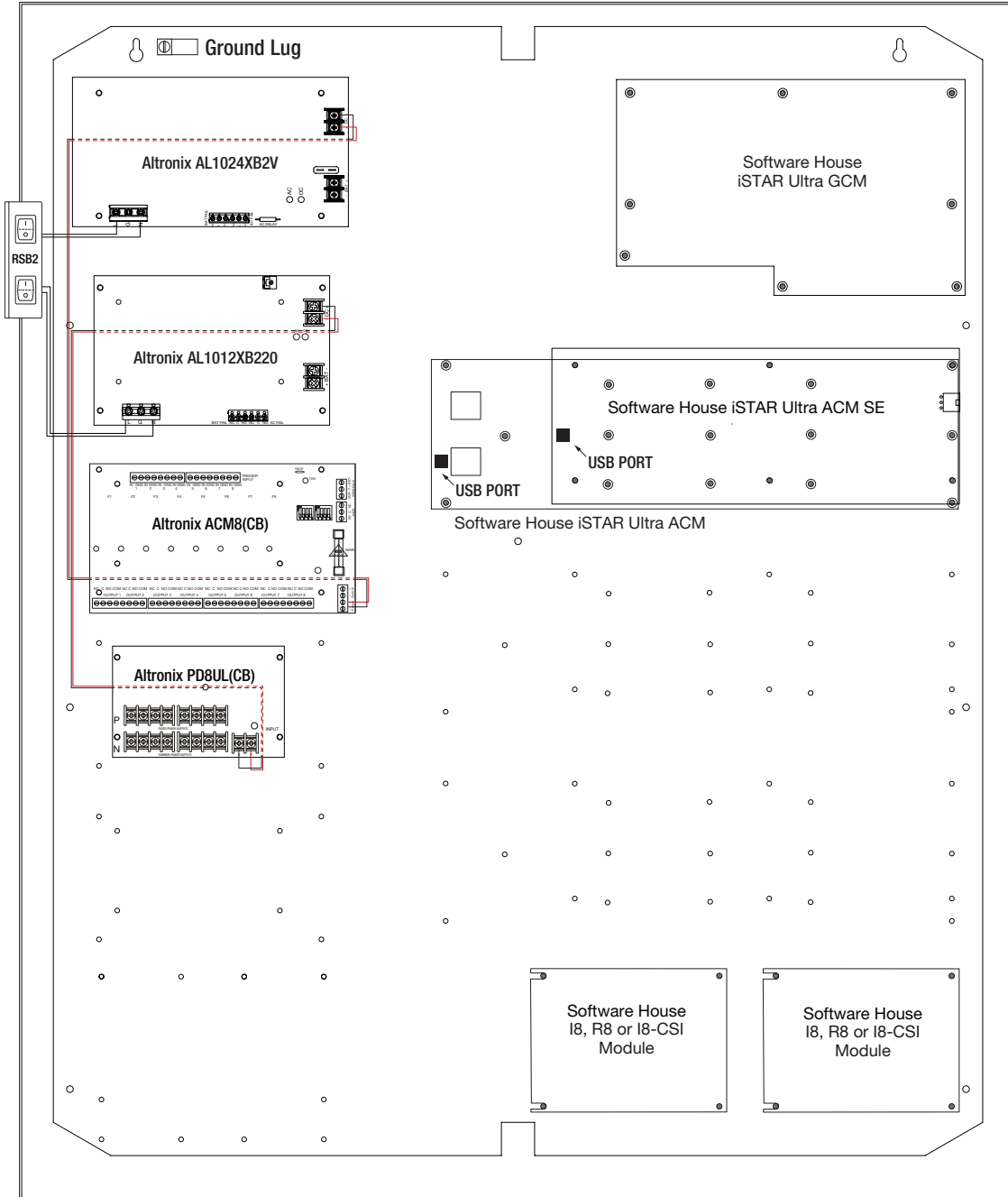


Fig. 3a

## T3SK7516V and T3SK7516DV: Configuration of Software House iSTAR Ultra ACM Boards

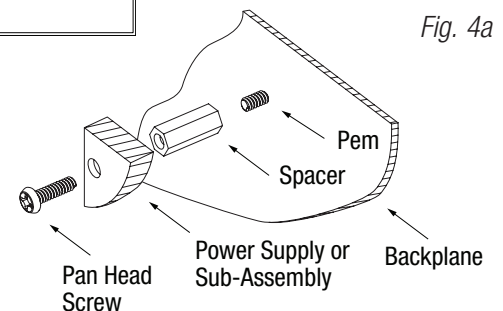
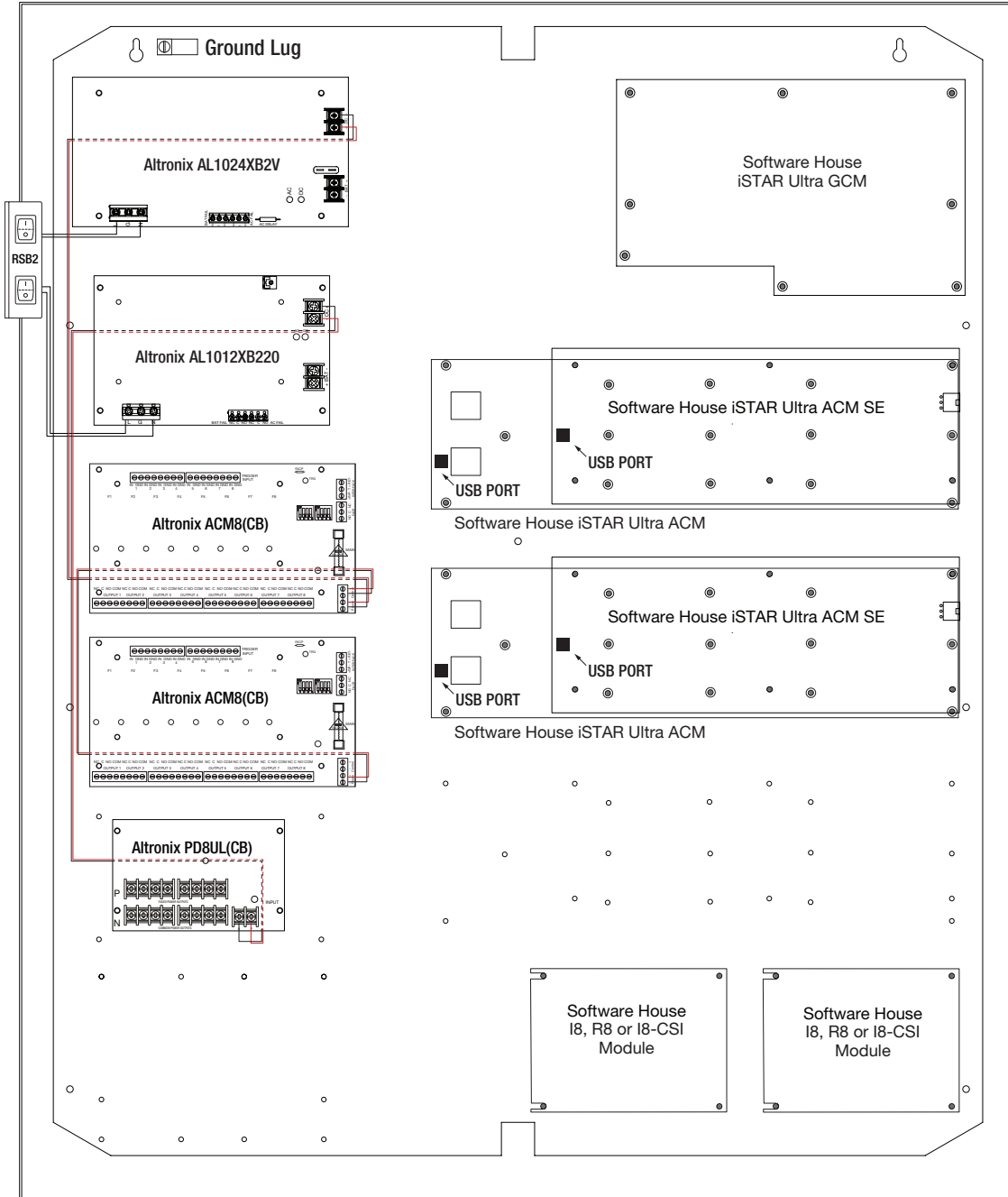
1. Align the Software House boards on the backplane to match the boards' mounting holes with pems provided.
2. Fasten spacers (provided) to pems that match the hole pattern for Software House iSTAR Ultra GCM, iSTAR Ultra ACM, and/or I8, R8, I8-CSI boards (Fig. 4, 4a, pg. 5).
3. Mount Software House boards to spacers utilizing provided 5/16" pan head screws (Fig. 4a, pg. 5).

**Note:** Software House iSTAR Ultra ACM boards have one (1) USB port each.

Please orient the board in the appropriate position according to the Fig. 4 below.

4. Fasten backplane to Trove3 enclosure utilizing lock nuts (provided).

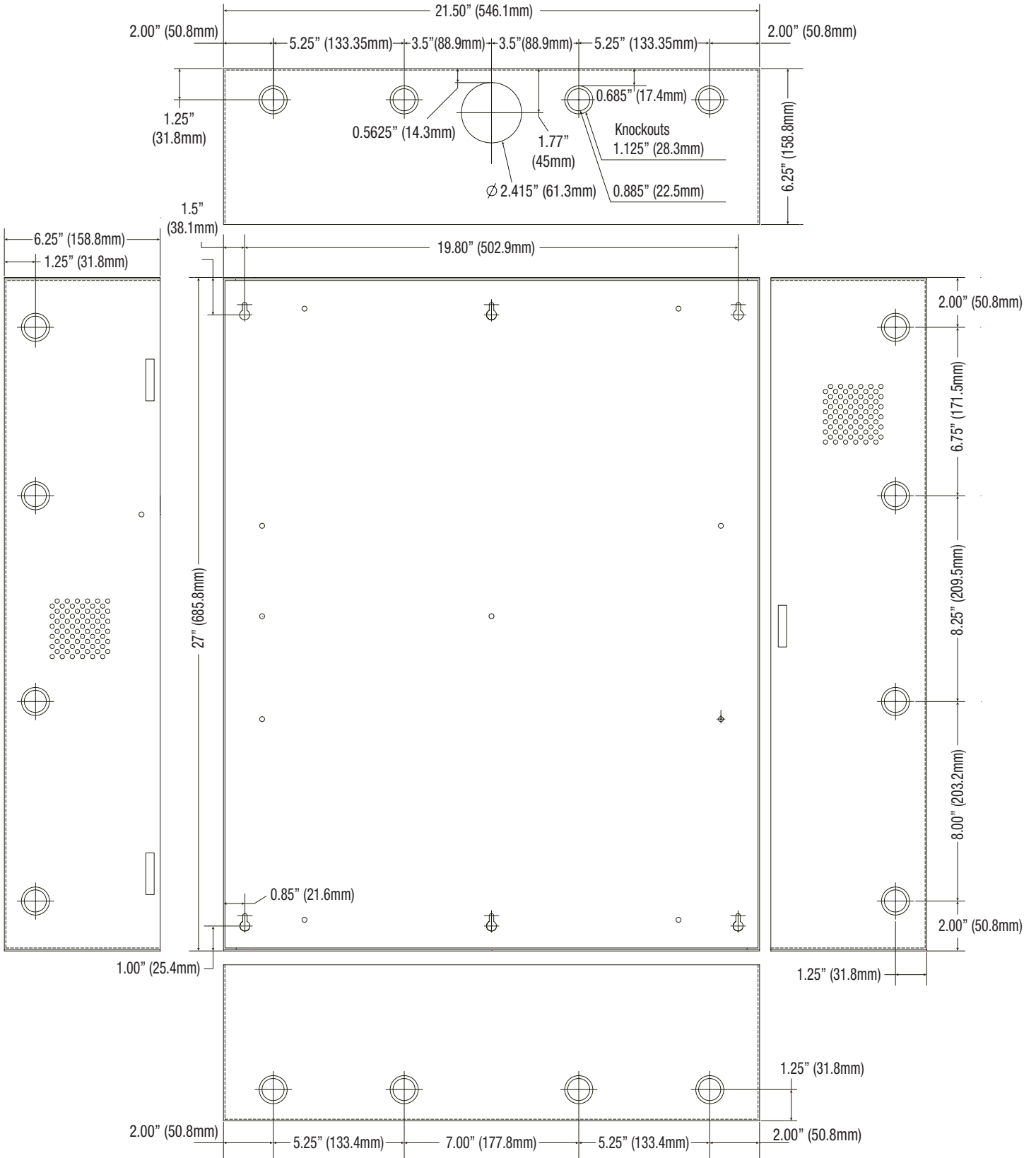
Fig. 4



## Notes:

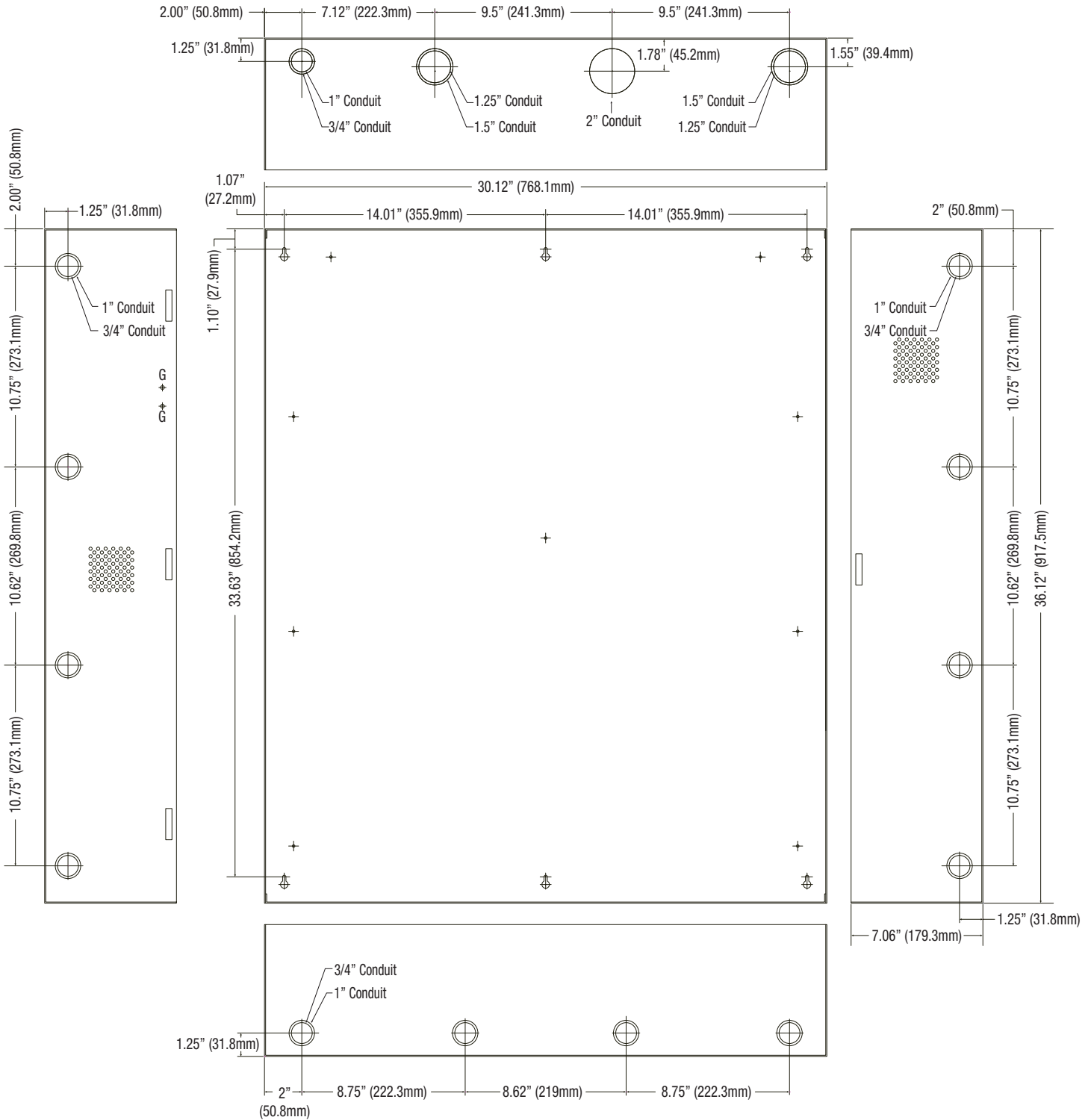
## T2SK78(D)V Enclosure Dimensions (H x W x D approximate):

27.25" x 21.5" x 6.5" (692.2mm x 552.5mm x 165.1mm)



# T3SK758(D)V and T3SK7516(D)V Enclosure Dimensions (H x W x D approximate):

36.12" x 30.125" x 7.06" (917.5mm x 768.1mm x 179.3mm)



Altronix is not responsible for any typographical errors. Product specifications are subject to change without notice.

140 58th Street, Brooklyn, New York 11220 USA | phone: 718-567-8181 | fax: 718-567-9056  
 website: www.altronix.com | e-mail: info@altronix.com | Lifetime Warranty  
 IITroveSH XBV Kit Series

E23W

