

R1224DC16CBV

Rack Mount Power Supply

Installation Guide



Rev. 052308



More than just power.™

Installing Company: _____ Service Rep. Name: _____

Address: _____ Phone #: _____

Overview:

Altronix R1224DC16CBV Rack Mount Power Supply provides 12VDC or 24VDC distributed via sixteen (16) PTC protected outputs.

Rack Mount Configuration Reference Chart:

Altronix Model Number	Output Voltage	Total Output Current (Power)	Number of Outputs	PTC Protected Auto-Resettable Outputs	Output Current (max per output)	220VAC 50/60Hz Input Current	Agency Listing
R1224DC16CBV	12VDC	18A	16	✓	2A	1.8A	CE European Conformity
	24VDC	18A				3.1A	

Specifications:

Input:

- 220VAC (working range 198VAC - 256VAC), 50/60Hz.

Output:

- Sixteen (16) PTC protected outputs.
- 12VDC or 24VDC output.
- 18A total continuous supply current.
- Filtered and electronically regulated outputs.
- Surge suppression.

Visual Indicators:

- Power LED indicators per group of 4 outputs.
- Illuminated power disconnect circuit breaker with manual reset.

Additional Features:

- Removable terminal blocks w/locking screw flange.
- IEC 320 - 3-wire grounded line cord (detachable).
- Ease of installation saves time and eliminates costly labor.

Enclosure Dimensions:

3.26" x 19.125" x 8.5" (83mm x 486mm x 216mm).

CAUTION: This installation should be made by qualified service personnel and should conform to all local codes and the National Electrical Code.

Installation Instructions:

1. Attach mounting brackets to the unit for rack mount installation (*Fig. 1a, pg. 3*). Affix rubber pads to the unit for shelf installation (*Fig. 2, pg. 3*).
2. Secure the unit in a rack or place unit on a shelf as desired (unit should be spaced at least 3" from any video monitors).

When installing the unit in a rack allow for one half of a U spacing above the unit for ventilation.

3. Insert and secure removable terminal blocks to the unit (*Fig. 3c, pg. 4*).
4. Plug the grounded AC line cord (included) into the IEC 320 connector of the R1224DC16CBV unit (*Fig. 3a, pg. 4*). Insert the plug end of the line cord into a grounded AC receptacle.
5. Select 12VDC or 24VDC power for each group of four (4) outputs 1a - 1d through 4a - 4d with the corresponding voltage selector switches (*Fig. 3b, pg. 4*).

Note: Each voltage selector switch sets the voltage for the entire group of four (4) corresponding outputs.

6. Set illuminated master power disconnect circuit breaker to the (ON) position (*Fig. 3d, pg. 4*).
7. Measure output voltage before connecting devices. This helps avoiding potential damage.
8. Set illuminated master power disconnect circuit breaker to the (OFF) position (*Fig. 3d, pg. 4*).
9. Connect the power output of the terminals marked [+ 1A -] to the power inputs of device (*Fig. 3c, pg. 4*). Repeat this step for the other remaining power outputs.
10. Upon completion of wiring, set illuminated master power disconnect circuit breaker to the ON (RESET) position (*Fig. 3d, pg. 4*).

11. All four (4) power LEDs on the faceplate will illuminate when AC power is present (Fig. 3a, pg. 4).

Note: If the power LEDs are not illuminated the cause may be due to the following:

a. AC mains fail.

b. Illuminated master power disconnect circuit breaker is OFF or tripped.

If one (1) or more power output PTCs are tripped due to a short circuit or overload condition follow the steps below to reset PTC:

1. Set illuminated master power disconnect circuit breaker to the (OFF) position (Fig. 3d, pg. 4).

2. Eliminate the trouble condition (short circuit or overload).

3. Allow 1 minute for PTC to cool off (reset).

4. Set illuminated master power disconnect circuit breaker to the (ON) position (Fig. 3d, pg. 4).

5. All power LEDs will illuminate (Fig. 3, pg. 4).

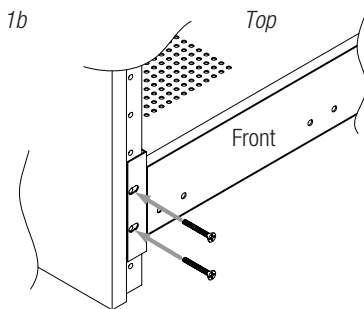
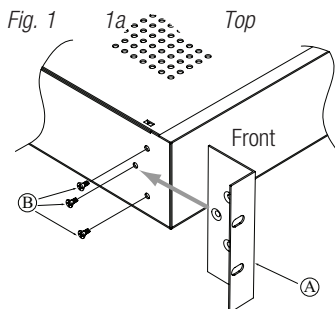
WARNING: To reduce the risk of fire or electric shock, do not expose the unit to rain or moisture.

Mounting Options:

Rack Mount Installation

1- Install mounting brackets (A) on the left and right side of rack chassis using the two (2) flat head screws (B) (included) (Fig. 1a).

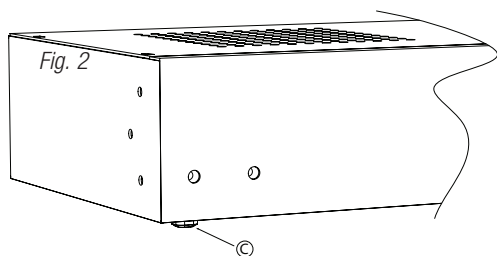
2- Place unit into desired EIA 19" rack position and secure with mounting screws (not included) (Fig. 1b).

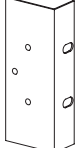




Shelf Installation

1- Position and affix rubber pads (C) (included) at each corner on the bottom of the unit (Fig. 2).

2- Place unit in desired location.



Mounting Hardware	
(Included):	
	(A) Four (4) mounting brackets.
	(B) Eight (8) flat head screws for mounting brackets.
	(C) Four (4) rubber pads.



The lightning flash with arrowhead symbol within an equilateral triangle is intended to alert the user to the presence of an insulated DANGEROUS VOLTAGE within the product's enclosure that may be of sufficient magnitude to constitute an electric shock.



The exclamation point within an equilateral triangle is intended to alert the user to the presence of important operating and maintenance (servicing) instructions in the literature accompanying the appliance.



CAUTION
RISK OF ELECTRIC SHOCK
DO NOT OPEN

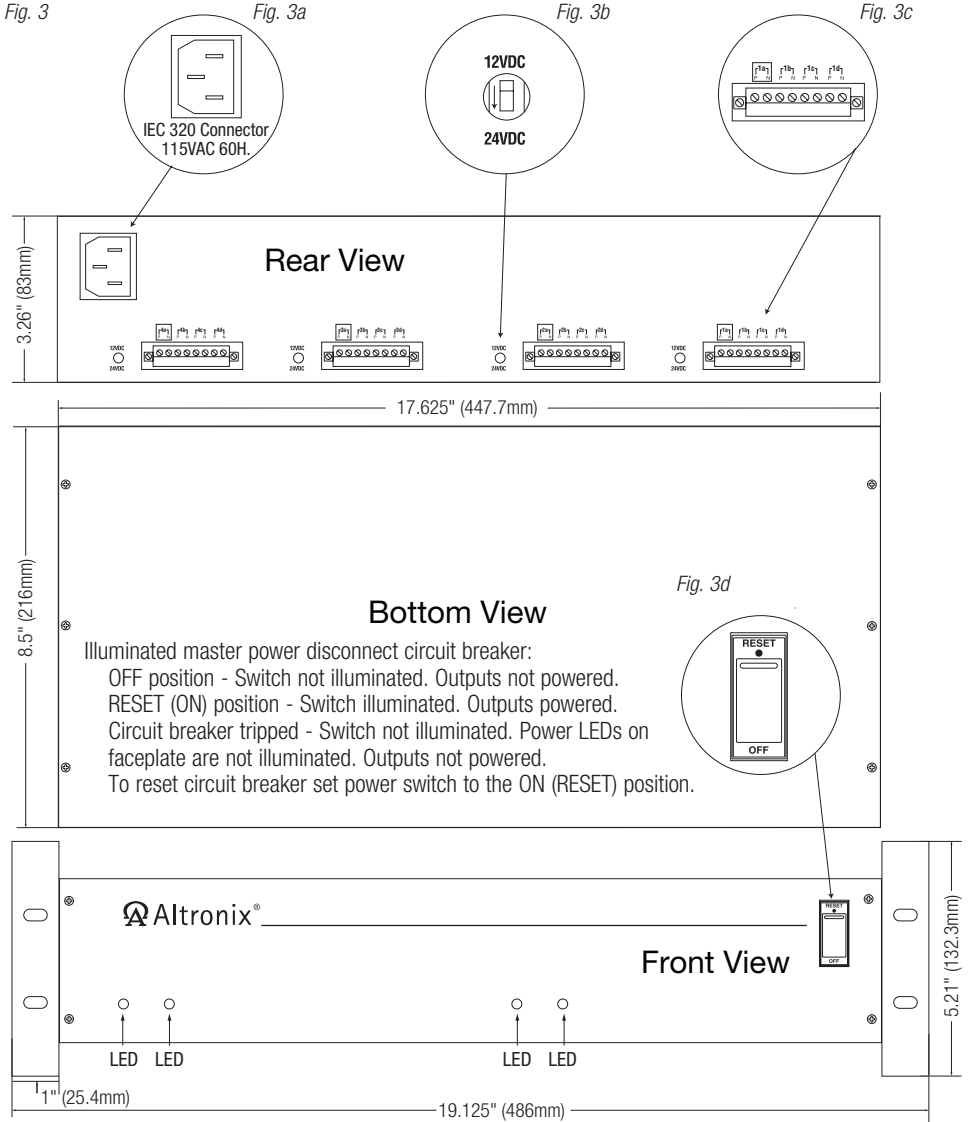


CAUTION: To reduce the risk of electric shock do not open enclosure. There are no user serviceable parts inside. Refer servicing to qualified service personnel.

Rack Mechanical Drawing and Dimensions (H x W x D approximate):

Unit: 3.26" x 19.125" x 8.5" (83mm x 486mm x 216mm).

Unit with Rack Brackets Attached: 5.21" x 19.125" x 8.5" (132.3mm x 486mm x 216mm)



Altronix is not responsible for any typographical errors.

140 58th Street, Brooklyn, New York 11220 USA | phone: 718-567-8181 | fax: 718-567-9056
 website: www.altronix.com | e-mail: info@altronix.com | Lifetime Warranty
 IIR1224DC16CBV K29U

