

**Features**

- Meets NFPA 72 fire and CO low frequency sounder codes for sleeping rooms in a single device
- LED Technology for Energy Efficiency:
- Versatile Settings and Horn Patterns:
  - 2 field-selectable candela settings: 110, 177 cd
  - 3 horn patterns (Continuous, T3, T3/T4) for
- Strobe synchronization with Potter fire alarm control panels and power supplies. Ability to mix xenon and LED strobes in the same field of view.
- 5 year warranty



**Description**

The Potter low frequency sounders and sounder strobes meet NFPA 72 low frequency sounder requirements for sleeping rooms for both fire alarm and carbon monoxide (CO) signaling. In a single device, the low frequency sounders feature both low and high candela settings and alarm signals for dual applications - T3 (fire) and T4 (CO) tones.

**High Efficiency, LED Technology**

The PE series of LED strobes utilize LED technology and optical design to improve efficiency and reduce overall power consumption. All strobe model feature 110 and 177 candela settings.

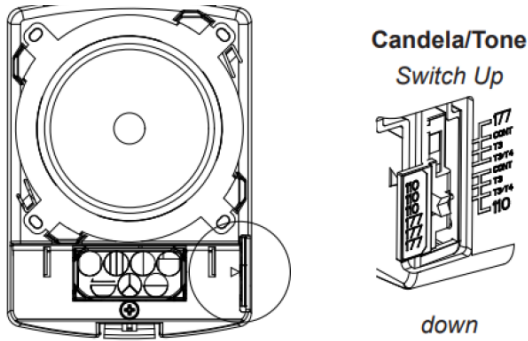
**Product Listing:**

- UL Listed
- FM Approved
- CSFM

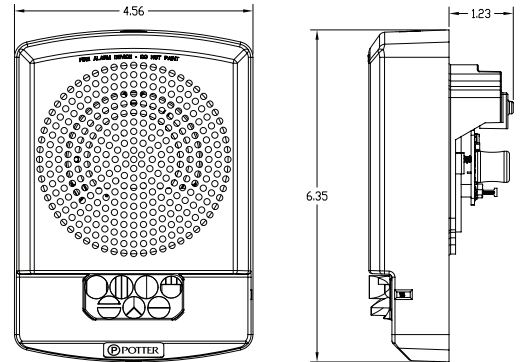
**Technical Specifications**

Mounting Options (Indoor Only)	Mounting plate included with all models. Wall-Mount Applications: <ul style="list-style-type: none"> <li>• PE-SPKBB backboxes</li> <li>• Single-gang backboxes</li> <li>• 4" square backboxes</li> </ul>
Wire Gauge	# 12 through # 18 AWG
Operating Temp	32°F to 122°F (0°C to 50°C) maximum humidity 93%
Dimensions	Wall: 6.26"H x 4.56"W x 1.54"D
Operating Voltage	24 VDC/VFWR: 16 - 33 VDC/VFWR
Strobe Output Rating	UL 1971: Field selectable candela 110, 177 cd
Weight	1.10 lbs. (499 g.)
Synchronization Models	Strobes can be synchronized with Potter fire alarm control panels and power supplies using Wheelock® sync protocol.

**PE-LFHN and PE-LFHS Switch Locations**



**Dimensions**



**Horn Only Current Draw**

Model	Horn Setting	16.0 - 33.0V (Max Current*)
PE-LFHN	Continuous	0.098
	Code 3	0.098
	Code 3/Code 4	0.098

**Settings**

The 520 Hz tone is generated within the appliance itself. When the selector switch is set to continuous the product is listed for coded operations. The T3/T4 pattern or other pattern must be generated by the FACP according to the alarm condition sensed by the panel (fire or CO alarm). When the device is set for T3/T4, the appliance can switch from T3 to T4 based upon the condition sensed by the FACP.

**Notes:**

- When the application requires T4; field devices must be set to T3/T4 Horn setting and in the Potter Programming Software the corresponding circuit be set to Wheelock T4

**Horn Strobe Current Draw**

Model	Regulated Voltage Range VDC	110 cd (Max Current)*	177 cd (Max Current)*
PE-LFHS	16.0 - 33.0	0.164	0.256
	16.0 - 33.0	0.164	0.256

\*RMS current ratings are per UL maximum RMS method. UL max current rating is the maximum RMS current within the listed voltage range (16-33V). For strobes the UL max current is usually at the minimum listed voltage. For audibles the max current is usually at the maximum listed voltage. For unfiltered FWR ratings, see installations instructions.

**PE-LFHN/PE-LFHS 24V Reverberant dBA Per UL 464**

Description	16.0 V	24.0 V	33.0 V
Continuous	80	80	80
Code 3	80	80	80
Code 3/Code 4	80	80	80

## Specification & Ordering Information

Model Number	Part Number	Mounting	Strobe Candela	Red	White	Lettering
<b>Sounders</b>						
PE-LFHNR-N	4871010	Wall		X		No Lettering
PE-LFHNW-N	4871011	Wall			X	No Lettering
PE-LFHNR	4871012	Wall		X		FIRE
PE-LFHW	4871013	Wall			X	FIRE
<b>Sounder Strobes</b>						
PE-LFHSW	4871014	Wall	110, 177		X	FIRE
PE-LFHSR	4871015	Wall	110, 177	X		FIRE

<b>Accessories</b>					
Model Number	Part Number	Description	Mounting	Red	White
PE-SPKBB-R	4871024	PE Series Backbox	Wall	X	
PE-SPKBB-W	4871025	PE Series Backbox	Wall		X

## Architect & Engineering Specifications

The low frequency sounders and sounder strobe appliances shall be the Potter PE-LFHN and PE-LFHS series or approved equals. The sounders shall be UL Listed under UL 464 for Fire Protective Service. Sounders equipped with strobes shall be listed under UL1971 for Emergency Devices for the Hearing Impaired and UL 1638. The series shall be Restriction of Hazardous Substances (RoHS) compliant and contain no mercury or other hazardous substances. In addition, the sounder strobes shall meet the requirements for FCC Part 15 and ICES-003. All inputs shall be compatible with standard reverse polarity supervision of circuit wiring by a Fire Alarm Control Panel (FACP) with the ability to operate from 16 to 33 VDC.

The PE-LFHS sounder strobe shall produce a flash rate of one (1) flash per second over the Regulated Voltage Range and shall incorporate the Light Emitting Diode (LED) as the light source with a rugged Lexan® lens. The strobe shall be of a low current design. The LED strobe flash duration shall be 20 ms or less. The strobe intensity of PE-LFHS model shall have field selectable of 110 and 177 candela. The audible shall have a minimum of 3 modes of operation: T3 (fire), Continuous, and T3/T4 Sync Control.

The PE-LFHN and PE-LFHS shall be designed with a low profile design for indoor surface or flush mounting. Mounting options shall include PE-SPKBB backboxes, single-gang backboxes, and 4" square backboxes for wall models. The sounder and sounder strobe shall incorporate a mounting plate with a snap-on grill cover and shall mount to standard electrical hardware requiring no additional trimplate or adapter. Removal of an appliance shall result in a supervision fault condition by the Fire Alarm Control Panel (FACP). All notification appliances shall be backwards compatible.

The PE-LFHN and PE-LFHS wall models shall have a low profile measuring 6.35"H x 4.56"W x 1.54"D. Finish shall be red or white. Text for FIRE and No Lettering shall be available.

When synchronization is required, the appliance shall be compatible with Potter fire alarm control panels and power supplies, with built-in Wheelock® sync protocol. The strobes shall not drift out of synchronization at any time during operation. If the sync protocol fails to operate, the strobe shall revert to a non-synchronized flash rate and still maintain one (1) flash per second over its Regulated Voltage Range.