

# NDA-SMB-MICSMB Surface Mount Box

www.boschsecurity.com



**BOSCH**

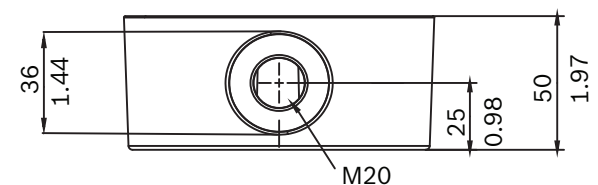
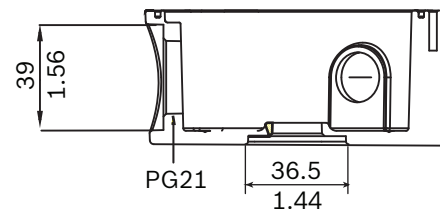
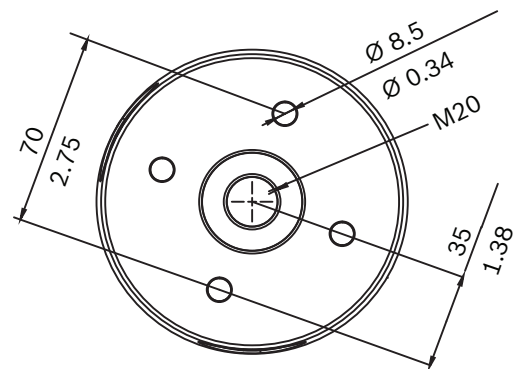
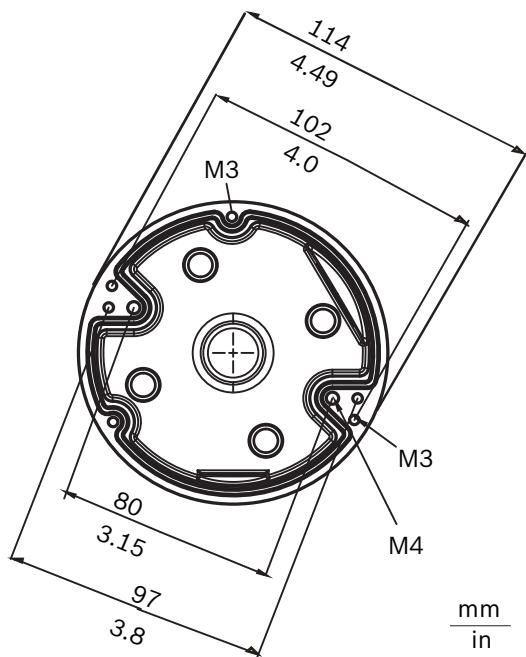
Invented for life



- ▶ Sturdy construction
- ▶ Attractive appearance
- ▶ Easy installation

This easy-to-install and sturdy mount box is specifically designed for mounting a FLEXIDOME micro camera to a flat surface.

## Installation/configuration notes



### Technical specifications

Construction material	Aluminum alloy
Finish	RAL 9003
Weight	500 g (1.1 lb)

### Ordering information

**NDA-SMB-MICSMB Surface Mount Box**  
Surface mount box (Ø114 mm / Ø4.49 in)  
Order number **NDA-SMB-MICSMB**

**Represented by:**

**Americas:**

Bosch Security Systems, Inc.  
130 Perinton Parkway  
Fairport, New York, 14450, USA  
Phone: +1 800 289 0096  
Fax: +1 585 223 9180  
security.sales@us.bosch.com  
www.boschsecurity.us

**Europe, Middle East, Africa:**

Bosch Security Systems B.V.  
P.O. Box 80002  
5617 BA Eindhoven, The Netherlands  
Phone: + 31 40 2577 284  
Fax: +31 40 2577 330  
emea.securitysystems@bosch.com  
www.boschsecurity.com

**Asia-Pacific:**

Robert Bosch (SEA) Pte Ltd, Security  
Systems  
11 Bishan Street 21  
Singapore 573943  
Phone: +65 6571 2808  
Fax: +65 6571 2699  
apr.securitysystems@bosch.com  
www.boschsecurity.asia

**China:**

Bosch (Shanghai) Security Systems Ltd.  
201 Building, No. 333 Fuquan Road  
North IBP  
Changning District, Shanghai  
200335 China  
Phone +86 21 22181111  
Fax: +86 21 22182398  
www.boschsecurity.com.cn

**America Latina:**

Robert Bosch Ltda Security Systems Division  
Via Anhanguera, Km 98  
CEP 13065-900  
Campinas, Sao Paulo, Brazil  
Phone: +55 19 2103 2860  
Fax: +55 19 2103 2862  
latam.boschsecurity@bosch.com  
www.boschsecurity.com