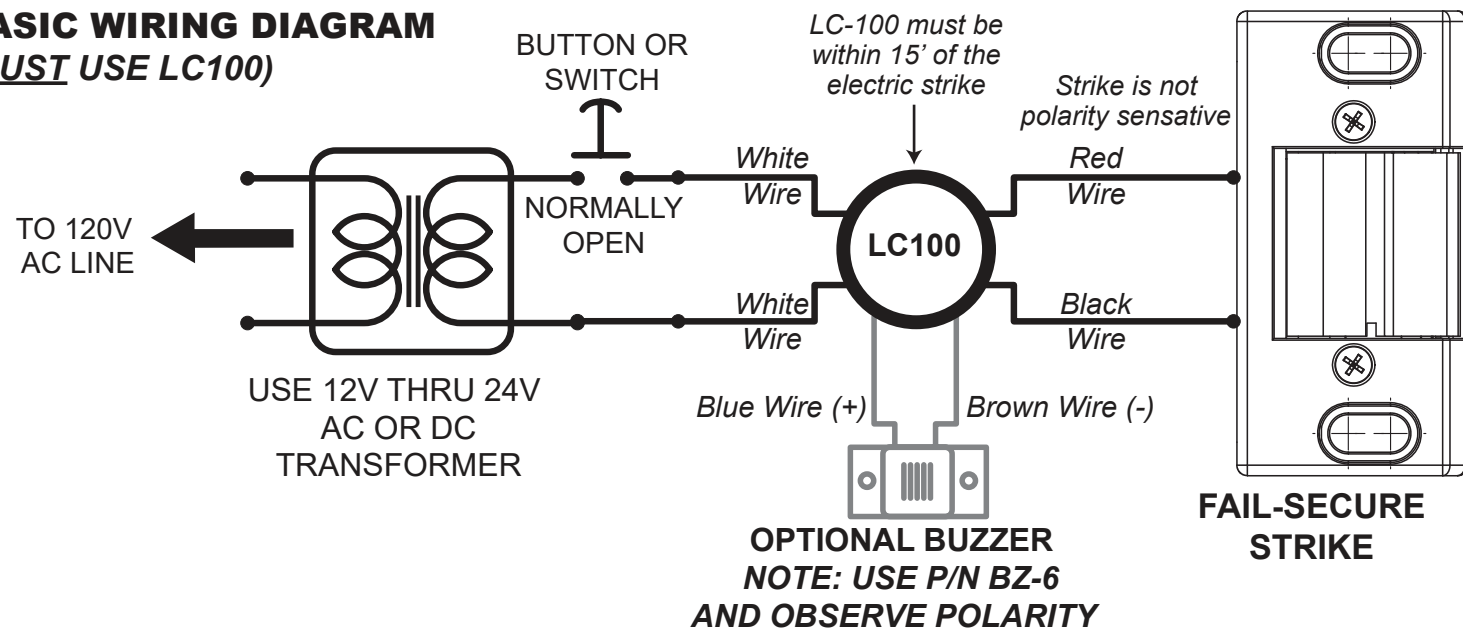


BASIC WIRING DIAGRAM
(MUST USE LC100)



SILENT OPERATION:

The 3275VRP operates silently; unlike some types of AC electric strikes that "buzz" when activated. For some applications, like entrances to apartment buildings, an audible sound is desirable. For other applications, such as offices, silent operation is preferred. Verify which they require. If louder signal, when the electric release activates, is needed, then use a 6DC Piezzo buzzer. Trine offers a BZ-6 for this purpose. The LC100 must always be used with the 30LC & 30RS units.

TROUBLESHOOTING THE COMPLETED INSTALLATION:

SYMPTOM: What is this Line Conditioner or LC100 for?

1. In the 3250SOM kit, the LC100 is not optional, it must be installed between the power supply and strike mechanism, as seen on page 3. The LC100 'conditions' the power supply to allow the mechanism to run continuously (and so in Fail Safe configuration)

SYMPTOM: Electric release is not actuating:

1. Verify proper voltage is present AT STRIKE. If voltage IS present: the strike may have been damaged during the installation, or dirt or debris may be preventing proper operation. Inspect electric release and clean. **DO NOT LUBRICATE SOLENOID.**

2. Verify for proper electric release coil resistance (REFER TO COIL RESISTANCE CHART), for either a short circuit or open circuit. Coil is NOT a serviceable part.

3. If voltage IS NOT present:

- Verify Circuit breaker is on
- Verify voltage at the transformer/power supply output.
- Verify output from rectifier (if used)
- Verify that there are no additional, unknown external switches or devices which may be interrupting your circuit.

- Check for damaged wiring or bad wire splices.

SYMPTOM: Door will not open but strike is working:

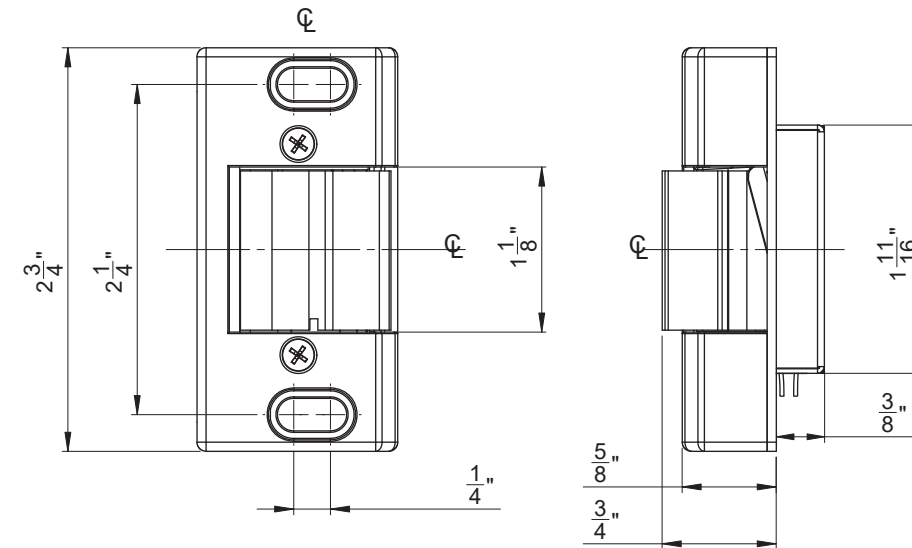
- Check for other locks on door
- Check for proper lock-latch engagement (SEE SECTION: "CONFIRMING PROPER LOCK-LATCH ENGAGEMENT & CLEARANCES").
- Lock latch engagement may not be set correctly. (If proper clearance cannot be achieved by installing a shim; a shorter lock latch may be required for your installation.)
- Check for excessive back pressure on door release latch by following these steps:
 - While observing the electric release and latch; apply enough pressure on the door so that the lock latch does not press on the electric release latch. If applying pressure from the latch, then there may be too much pressure on the electric release latch. If electric release works properly while you are applying this pressure, then steps must taken to relieve this pressure.

Possible remedies include:

- Re-adjust (or install) a door closer
- Remove door silencers
- Correct excessive door warpage
- Re-center electric release in jamb
- Remove or trim weather stripping around the door

3275VRP ELECTRIC STRIKE

3275 VERTICAL RIM PANIC INSTALLATION INSTRUCTIONS



Tested to Grade 1 Specification for Electric Strikes

WHAT IS INCLUDED IN THE 3250SOM:

- (1) 3275 Mechanism
- (1) 2-3/4" Powder Coat Surface Mount Faceplate
- (1) LC100 - Line conditioner voltage regulator
- (4) Crimp Wire Connectors
- (2) Horizontal Adjustment Inserts
- (2) #5-32 Faceplate mounting screws
- (8) #8-32 x 3/4" Mounting screws
- (2) #6-32 x 1/4" Tab screws
- (1) 1/16" Metal Shim
- (1) Metal installation tool

ELECTRIC STRIKE STANDARDS:

- Mortise Type - 3/8" backset
- BHMA Grade 1 (Durability - 500,000 Life Cycles, Holding Force - 1,200 Pounds (Static Force) - 70 ft-lb (Dynamic Force))
- All stainless steel locking parts
- Solid Cast Latch - Stainless Steel
- Cavity: Width 5/8", Height 1-1/8", Depth 1/2"



TRINE 3250SOM STRIKE-O-MATIC™ ELECTRIC STRIKE FOR THE DOR-O-MATIC™

Congratulations on the purchase of this quality TRINE security product. This product has been designed to install easily, perform reliably, and provide years of trouble free security.

BEFORE PROCEEDING with your installation, please review the following list of features. If you have any questions after reading this document please call TRINE's **TECHNICAL SUPPORT:**

(203) 730-1756 ext. 447,

email: technicalservice@trineonline.com,

or visit us: www.trineonline.com

ELECTRIC STRIKE ELECTRICAL CHARACTERISTICS:

Voltage	Pull-in/Hold Amps (A)	Ohms (Ω)	Duty	Duty
12DC	0.743/0.298 A	13.0	Intm/Cont	Silent
12AC	0.715/0.277 A	13.0	Intm/Cont	Silent
24DC	0.397/0.170 A	13.0	Intm/Cont	Silent
24AC	0.378/0.173 A	13.0	Intm/Cont	Silent

The LC100 accepts 12-24AC & DC power, plus surge and kickback protection. Must be within 15' of the electric strike.

WARNING - PLEASE READ PRIOR TO INSTALL

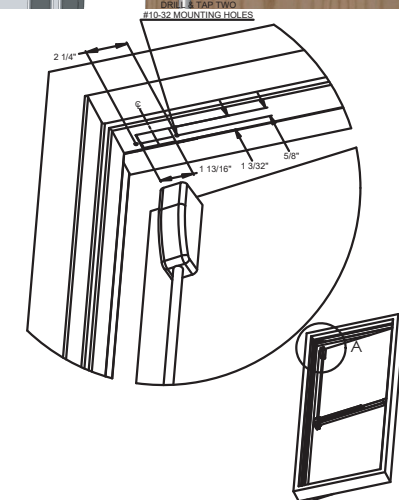
- LC-100 (line conditioner) Must be used for ALL installations (LC100 outputs 9DC to fire the solenoid and drops to 5.5DC to hold the strike unlocked with power)
- Ensure pigtailed for buzzer leads on LC100 are not touching. (If a buzzer is not being used)
- DO NOT Lubricate.
- DO NOT Apply an over voltage of more than 10% of the strikes operating voltage.
- NOT recommended for outdoor use
- Operating temperature range: -20°C through +40°C
- LC100 must be used within 15' of electric strike

Take the roller or mechanical strike off the frame.

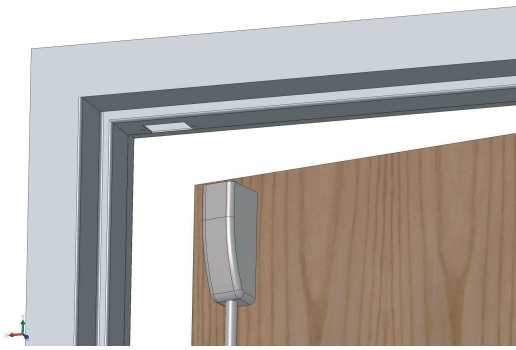
Use the included template/mounting plate as a guide to mark bounds of the hole for the electric strike mechanism and mounting screw holes.

Cut the door frame header for the electric strike mechanism, drill and tap the frame for the mounting screws. Use #10-32 tap for the threads.

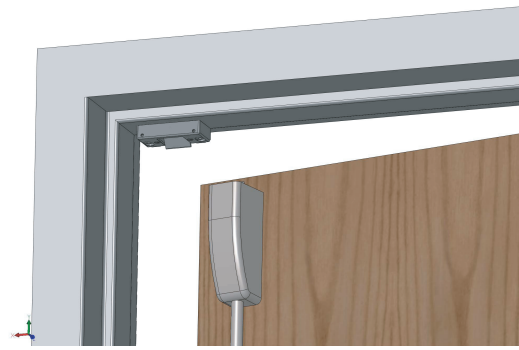
Connect the electric strike to the controller and finish mounting the 3275VRP to the frame header.



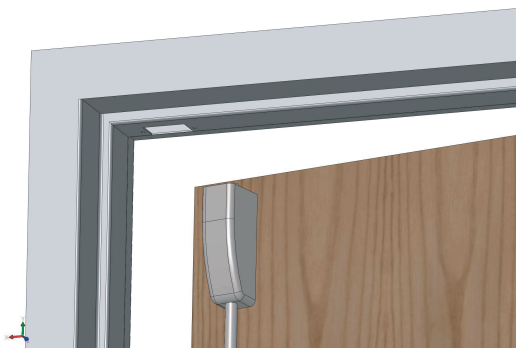
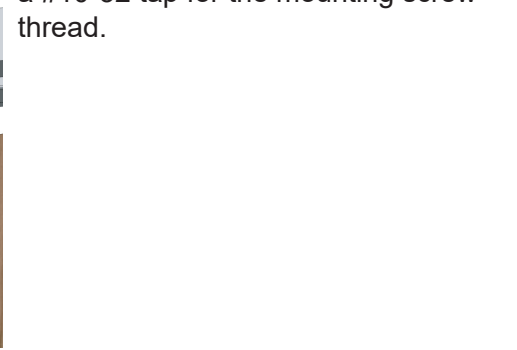
Option just to use the dimensions below to mark the mechanism hole and the mounting screw positions. Use a #10-32 tap for the mounting screw thread.



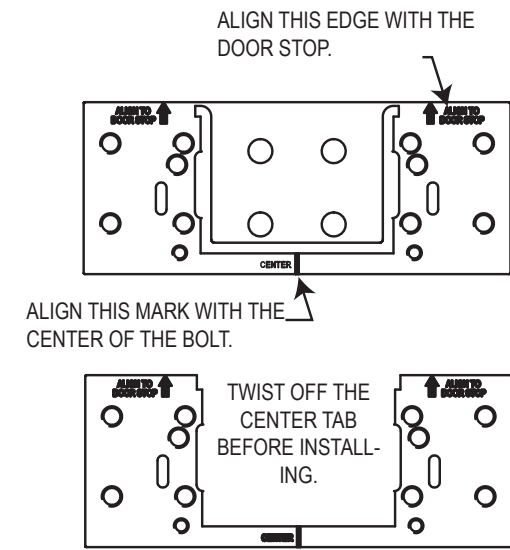
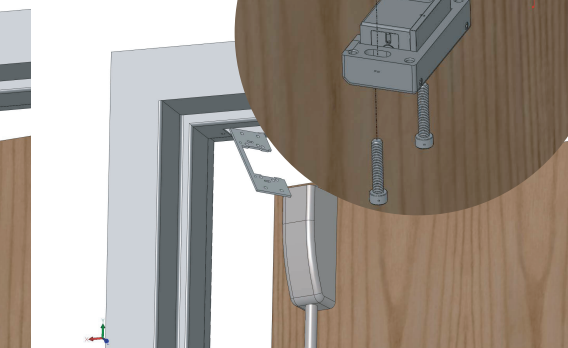
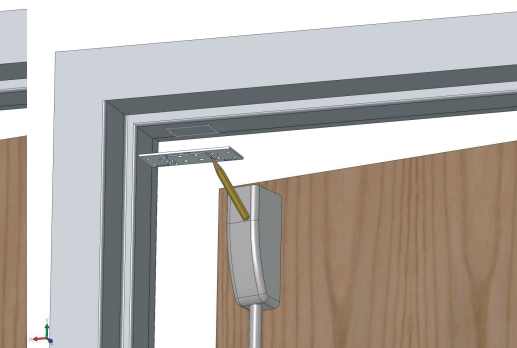
Cut the door frame header for the electric strike mechanism and drill the frame for the mounting screws



Twist off the center tab of the mounting tab, pass the plate through the mechanism hole, secure the plate using the #6-32 screws (included).



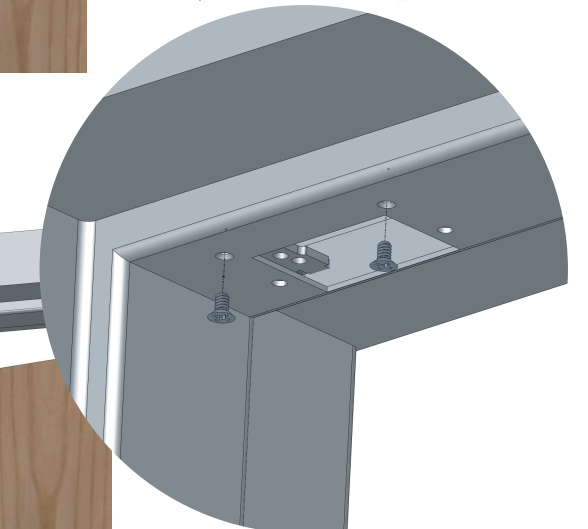
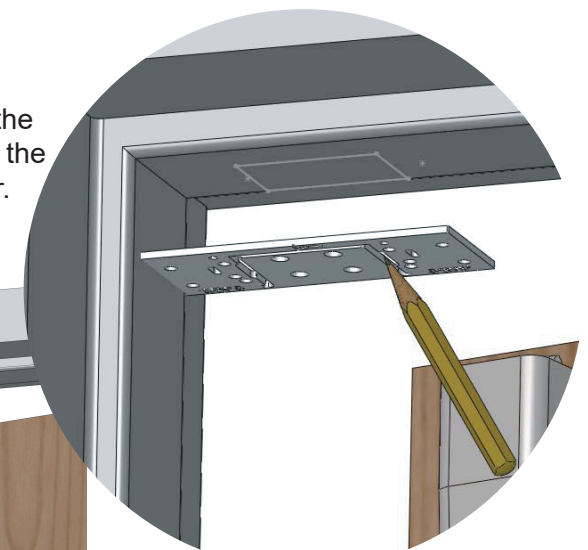
Connect the electric strike to the controller and finish mounting the 3275VRP to the frame header.



How to use the template/mounting tab:

As a template, you can use this plate as a guide for marking the holes necessary for mortising the body of the electric strike. You can also punch the location of the screw mounting holes of the strike.

As a mounting tab, you can install this plate inside the door frame header. This plate is threaded to accept the mounting screws.



ANCHOR THE MOUNTING TAB USING THE #6-32 SCREWS INCLUDED IN THE KIT.