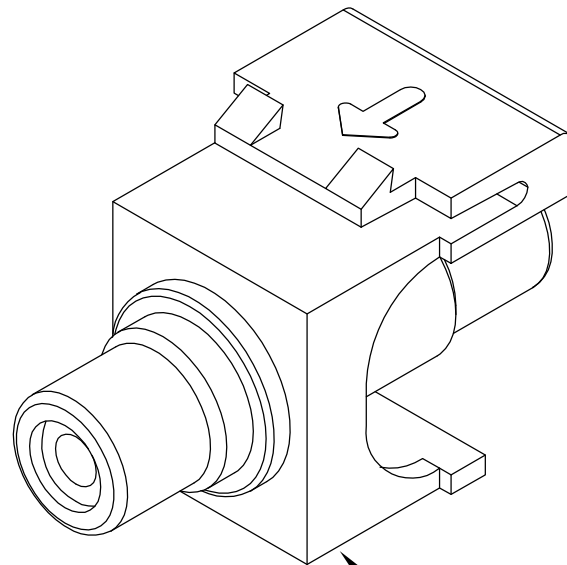


# RCA Female-to-Female Module

## PRODUCT SPECIFICATION

### Package includes:

A. RCA Female-to-Female Module, 1 pc



RCA Female-to-Female Module

### Features and Benefits:

- Gold plating for improved performance with superior signal quality with minimal noise
- Used for audio and video applications
- Colored insulators providing for quick and easy identification of the type of signal carried on the circuit, making it easy to separate audio and video signals
- Available with black, blue, green, red, white, and yellow insulators
- Provides a clean and neat appearance installation
- Compatible with all IC107 faceplates, inserts, surface mount boxes, and blank patch panels
- Compatible with all IC108 furniture faceplates, bezels, and surface mount boxes
- Housing color available in almond, black, ivory, and white

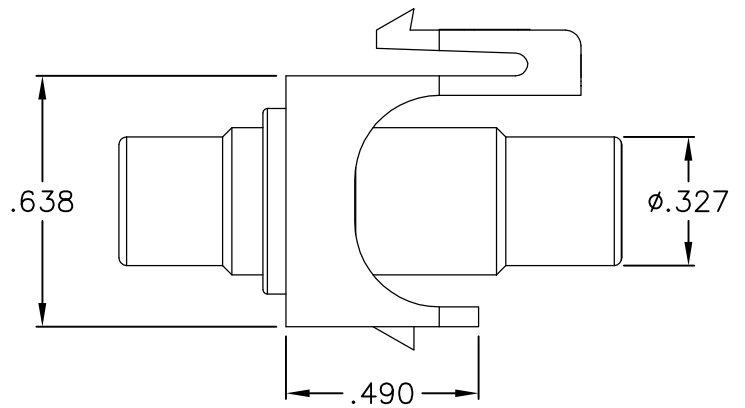
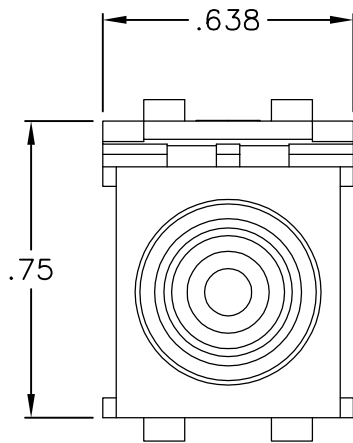
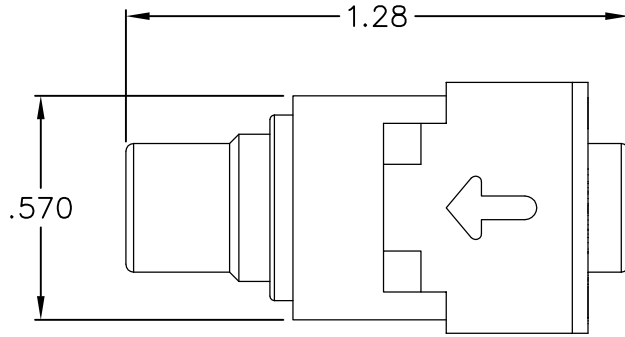
### MODULE, RCA FEMALE

ITEM NO.	IC107Z6GXX
DWG NO.	PS10706G00

REV.	C
PAGE NO.	1



CUSTOMER CARE / TECHNICAL SUPPORT \* CSR@ICC.COM / 888-ASK-4-ICC (275-4422) \* 2100 E. Valencia Dr, Suite D, Fullerton, CA 92831\* www.icc.com



**NOTE: UNLESS OTHERWISE SPECIFIED**

1. HOUSING:

- A. MATERIAL: ABS+PC, UL 94V-0
- B. COLOR: XX: AL-ALMOND, BK-BLACK, IV-IVORY, & WH-WHITE

2. RCA FEMALE-TO-FEMALE CONNECTOR:

- A. MATERIAL: BRASS WITH FLASH GOLD PLATING
- B. INSULATOR COLOR: Z: B-WHITE, G-GREEN, K-BLACK, L-BLUE, R-RED, & Y-YELLOW

3. ELECTRICAL:

- A. CONTACT RESISTANCE: 30m OHM MAX
- B. INSULATION RESISTANCE: 100M OHM MIN @ DC 500V
- C. DIELECTRIC STRENGTH: AC 500V FOR ONE MINUTE

**MODULE, RCA FEMALE**

ITEM NO. IC107Z6GXX  
 DWG NO. PS10706G00

REV. C  
 PAGE NO. 2



CUSTOMER CARE / TECHNICAL SUPPORT \* CSR@ICC.COM / 888-ASK-4-ICC (275-4422) \* 2100 E. Valencia Dr, Suite D, Fullerton, CA 92831\* www.icc.com