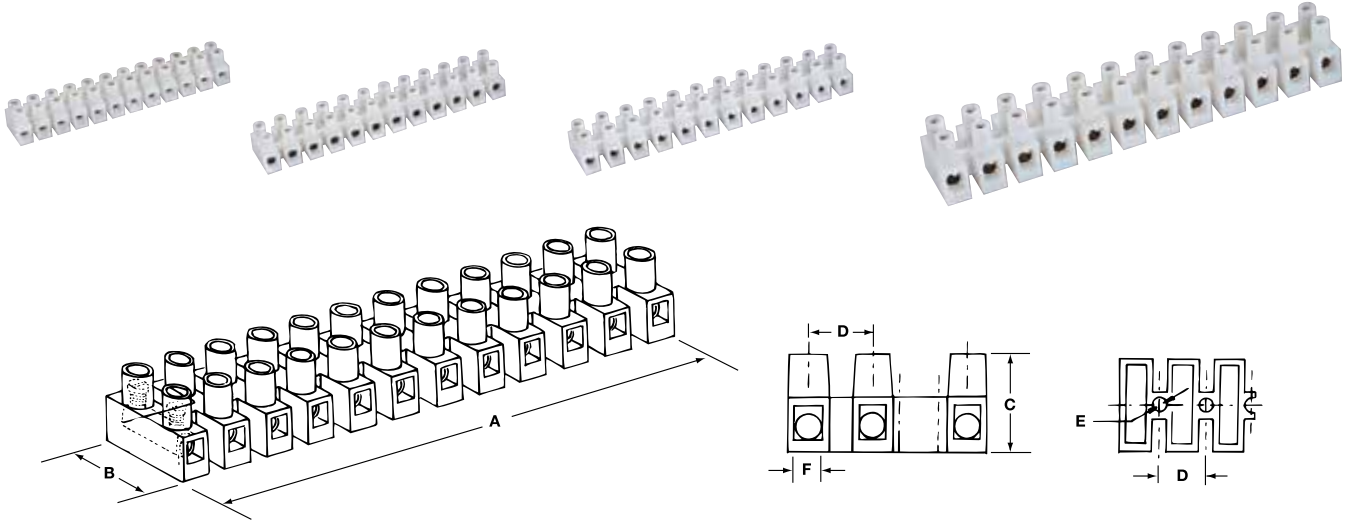


# Barrier Strip Dimensions



Electrical Ratings	Wire Range (AWG)	No. of Circuits	Torque in.-lb.	Model No.	Dimensions (Inches)						Dimensions (mm)						Cat. No.
					A	B	C	D	E	F*	A	B	C	D	E	F**	
20A/600V UL	22-12	12	3.5	PA8DC	3.787	0.669	0.570	0.315	0.114	0.110	96.2	17.0	14.5	8.0	2.9	2.8	<b>89-608</b>
10A/400V CSA	20-18																
30A/600V UL	22-10	12	4.4	PA10DS	4.626	0.795	0.670	0.394	0.142	0.134	117.0	20.2	17.0	10.0	3.6	3.4	<b>89-610</b>
20A/400V CSA	18-14																
35A/600V UL/CUL	22-10	12	7.0	PA12DS	5.540	0.937	0.748	0.472	0.154	0.154	140.7	23.8	19.0	12.0	3.9	3.9	<b>89-612</b>
50A/600V UL/CUL	20-8	12	12.0	PA14DS	6.220	1.008	0.992	0.531	0.173	0.189	158.0	25.6	25.2	13.5	4.4	4.8	<b>89-614</b>

\*Plus or minus .004 in.    \*\*Plus or minus 0.1mm

