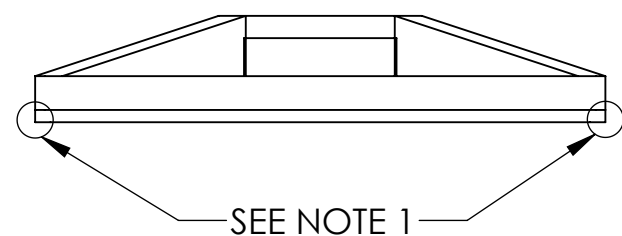
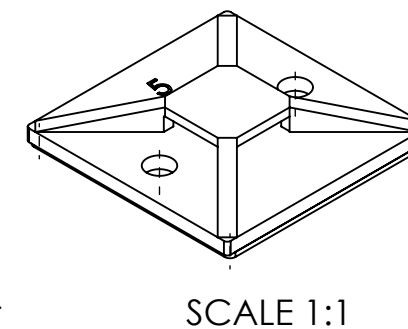
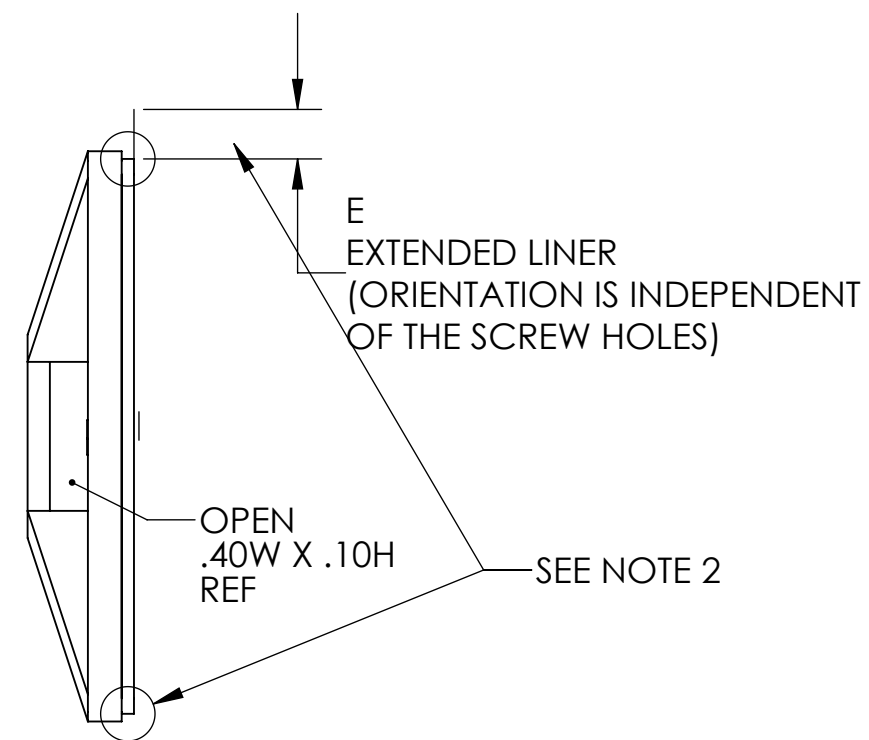
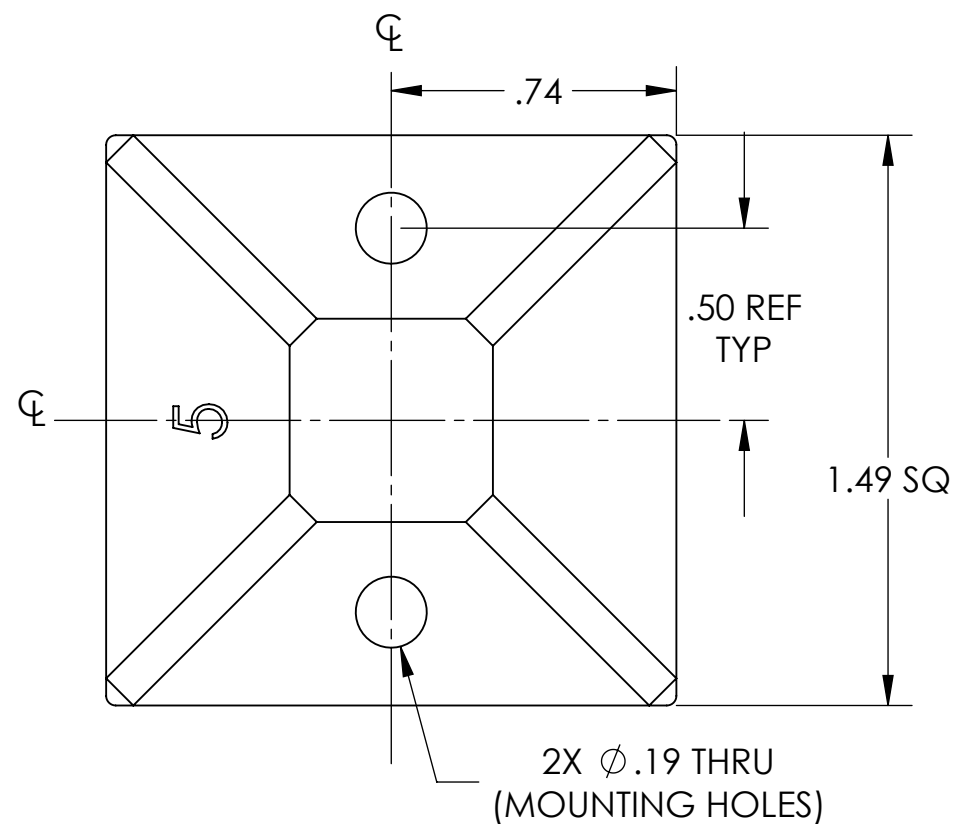


Revision level			Revision Record	Changed	Date	Approved	Date
Drawing	State	Part					
00.0	Design Release		SEE ECN# 013433	KEP	4/13/2016	JPG	4/13/2016



MB5A4	.045	.13	URAD5PX5011E ACRYLIC FOAM TAPE	PA66HIRHSUV	T18 THRU T150
MB5_	-	-	#8 SCREW (NOT INCLUDED)	PA66	
<b>TYPE NAME</b>	<b>T</b>	<b>E</b>	<b>MOUNTING METHOD</b>	<b>MOUNT MATERIAL</b>	<b>CABLE TIE SERIES</b>

Notes  
 1. TAPE MAY BE FLUSH OR EXTEND BEYOND THE EDGE OF THE MOUNT  
 2. TAPE MAY BE FLUSH OR INSIDE THE MOUNT EDGE

Material  
 SEE TABLE

Units: inches  
 Dimension without tolerances details to:  
 .xxxx = ±.0005  
 .xxx = ±.005  
 .xx = ±.01  
 .x = ±.03  
 None = ±.06  
 ∠ = ±0.5°  
 Dimension Formatted in/[mm]

The copyright of this drawing is reserved by HellermannTyton. It is issued on condition that it is not reproduced, copied, or disclosed to a third party, either wholly or in part, without the consent of HellermannTyton.

Drawn: KEP, 4/13/2016  
 Approved: JPG, 4/13/2016  
**HellermannTyton**  
 North America  
 Email: corp@htamericas.com  
 Web: www.hellermann.tyton.com

Article/Type-No: SEE CHART  
 Title: MOUNTING BASE, 4 WAY, MB5, SELF-ADHESIVE  
 Drawing-No: 16-0340-001-CSU  
 PRODUCTION : Phase

Scale: 2:1  
 Project Number: PRP16-0340  
 Format: B  
 Sheet: 1/1