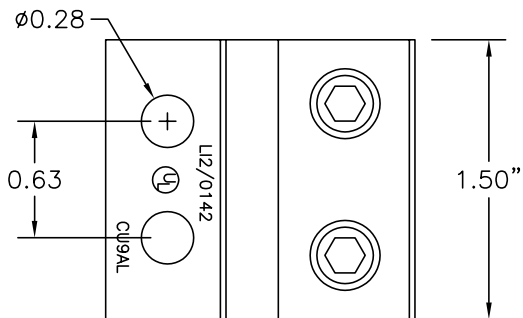
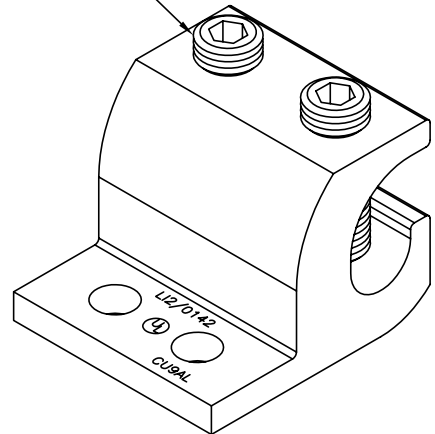


3/8-24 SET SCREW
HEX SOCKET
OVAL POINT



MATERIAL:
BODY, 6061-T6 ALUMINUM
ELECTRO TIN PLATED
ASTMB-545-97 .0001-.0002 THICK.
SCREW, STEEL ZINC PLATED

*** NOTICE ***

THIS DOCUMENT CONTAINS CONFIDENTIAL AND/OR PROPRIETARY INFORMATION INTENDED FOR USE ONLY BY THE INDIVIDUAL(S) SPECIFIED HEREIN AND ONLY FOR THE PURPOSE(S) PROVIDED. NEITHER THIS DOCUMENT, NOR ANY INFORMATION CONTAINED HEREIN, MAY BE COPIED, DISTRIBUTED, DISCLOSED TO ANY THIRD PARTY OR USED IN ANY MANNER OTHER THAN FOR WHICH IT HAS BEEN PROVIDED, WITHOUT THE PRIOR WRITTEN CONSENT OF ORTRONICS, INC.



NEW LONDON, CT 06320
(860) 445-3800

DWN.BY:	S. LEVESQUE	DATE	02/06/09
CHK.BY:	JIM LUCY	DATE	02/27/09
APP.BY:	MURANO	DATE	02/27/09

TITLE

2 HOLE GROUND LUG

SIZE	CAD FILE	PART NUMBER	REV
A	GL2014C	OR-GL2014	00
SCALE	REL DATE	SHEET	
NONE	02/06/09	1 OF 1	