

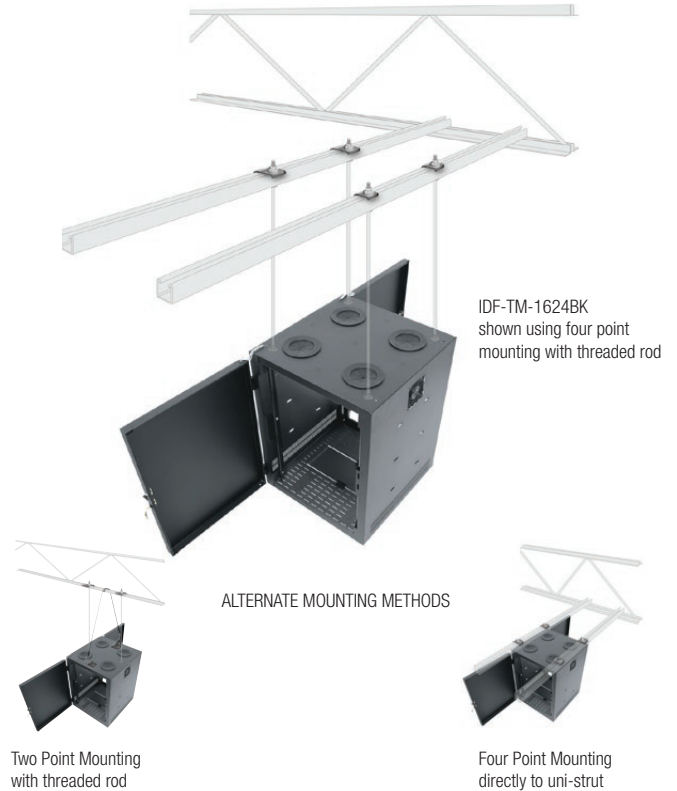
IDF Series

Intermediate Distribution Rack

secure Intermediate Distribution Rack mounts hubs, routers and other equipment overhead in warehouses or other large, open areas

features:

- Mounts overhead directly to uni-strut beams or from trusses using threaded rods (not included)
- Dual exhaust fans extend equipment life
- Removable aluminum plate in the bottom of the enclosure can be machined in the field to mount wireless antennae, dome cameras and more
- Multiple UHF/VHF antenna knockouts on the bottom of the enclosure
- Grounding/bonding stud in top of enclosure facilitates proper grounding and bonding of electronic equipment, as per NEBS and NEC standards
- Ships with included rackmount power distribution unit, model # PD-915R
- Durable textured black powder coat finish
- UL Listed in the US and Canada



specifications:

EIA/TIA compliant 19" intermediate distribution rack shall be Middle Atlantic Products model #IDF-TM-xx24BK (xx = number of rackspace, 12 or 16). Overall dimensions of enclosure shall be 23.52" W x 28.73" D x (24.125", 31.125") H. Enclosure shall be constructed of the following materials: top shall be 16-gauge steel, sides, bottom and door shall be 18-gauge steel. All structural elements shall be finished in a durable textured black powder coat. Enclosure shall come equipped with two pairs of 11-gauge steel rackrail with tapped 10-32 mounting holes in universal EIA/TIA spacing with black e-coat finish and marked rackspace. Rack shall include factory-installed front and rear doors with safety chains for additional security. Welded sides shall include vertical slotted vent pattern at bottom and two 95 CFM fans with fan guards installed at top. Enclosure shall include rackmount power distribution with nine 15 Amp outlets. Enclosure shall include grounding/bonding stud and integral 1900 electrical box at the top of the enclosure. Knockouts in the bottom panel shall accommodate UHF/VHF antennae. A removable aluminum 17-1/2" x 8" plate shall be mounted to the bottom of the enclosure and can be machined in the field to mount wireless antennae, dome cameras, etc. IDF shall be UL Listed in the US and Canada. Enclosure shall be GREENGUARD Gold Certified. Enclosure shall be manufactured by an ISO 9001 and ISO 14001 registered company. Enclosure shall be warranted to be free from defects in material or workmanship under normal use and conditions for the lifetime of the product.

options:

- Rail bracket extender for mounting additional rackrail shall be Middle Atlantic Products model # IDF-ARB-24

Customizable specification clips available at middleatlantic.com

EIA/TIA COMPLIANT



PRODUCT CERTIFIED FOR
LOW CHEMICAL EMISSIONS
UL.COM/GG
UL 2818



what **great systems** are built on.™

A brand of **legrand**

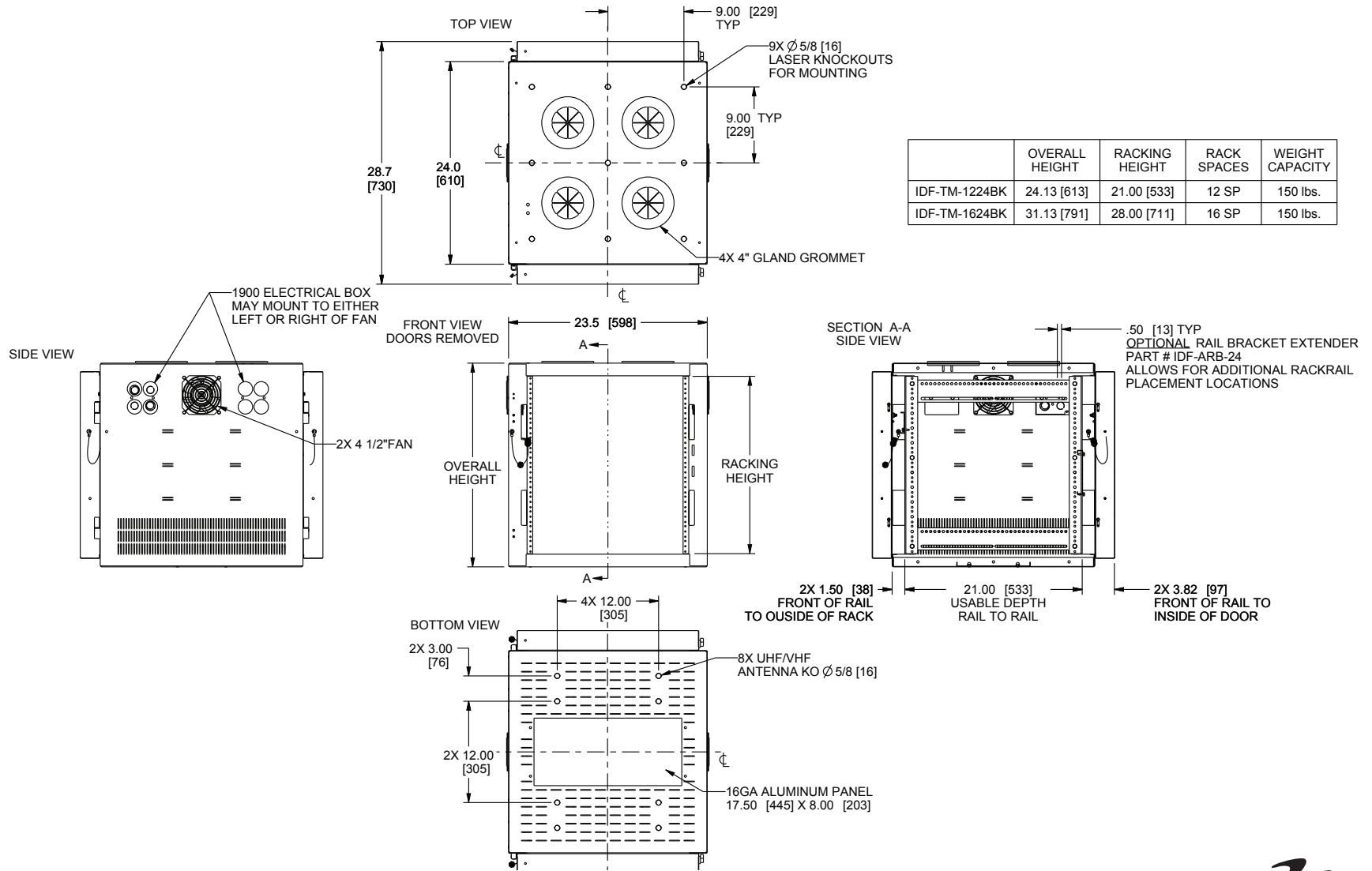
Middle Atlantic Products

middleatlantic.com | middleatlantic.ca

96-01075 / rev d / 5-21-20

IDF Series

basic dimensions



	OVERALL HEIGHT	RACKING HEIGHT	RACK SPACES	WEIGHT CAPACITY
IDF-TM-1224BK	24.13 [613]	21.00 [533]	12 SP	150 lbs.
IDF-TM-1624BK	31.13 [791]	28.00 [711]	16 SP	150 lbs.

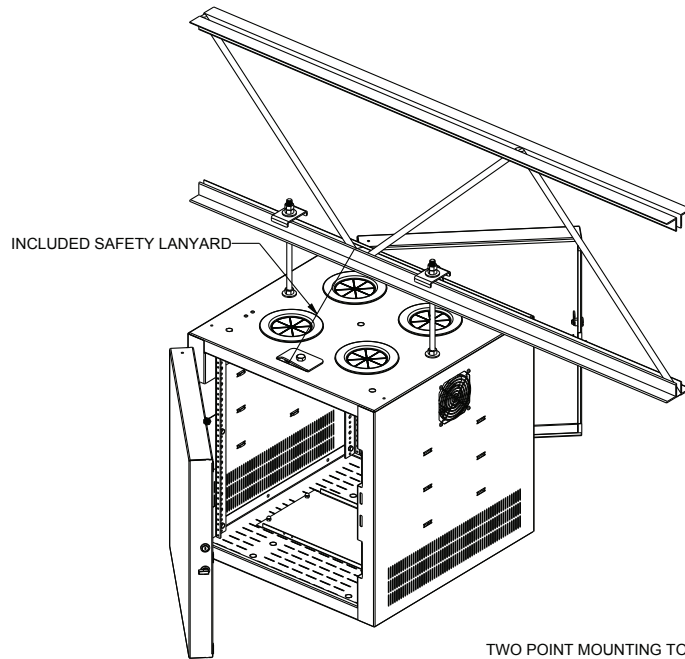
what **great systems** are built on.™

A brand of **legrand**

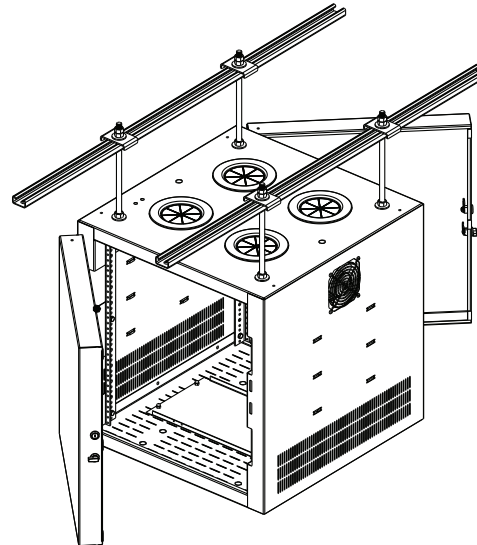
Middle Atlantic Products
middleatlantic.com | middleatlantic.ca

IDF Series

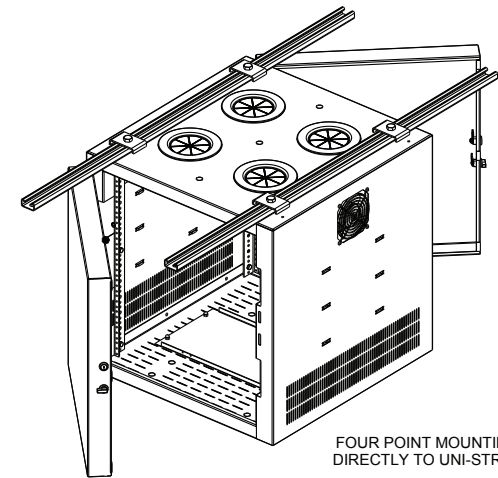
basic dimensions



TWO POINT MOUNTING TO TRUSS,
WITH 1/2" THREADED ROD



FOUR POINT MOUNTING
WITH 1/2" THREADED ROD



FOUR POINT MOUNTING
DIRECTLY TO UNI-STRUT