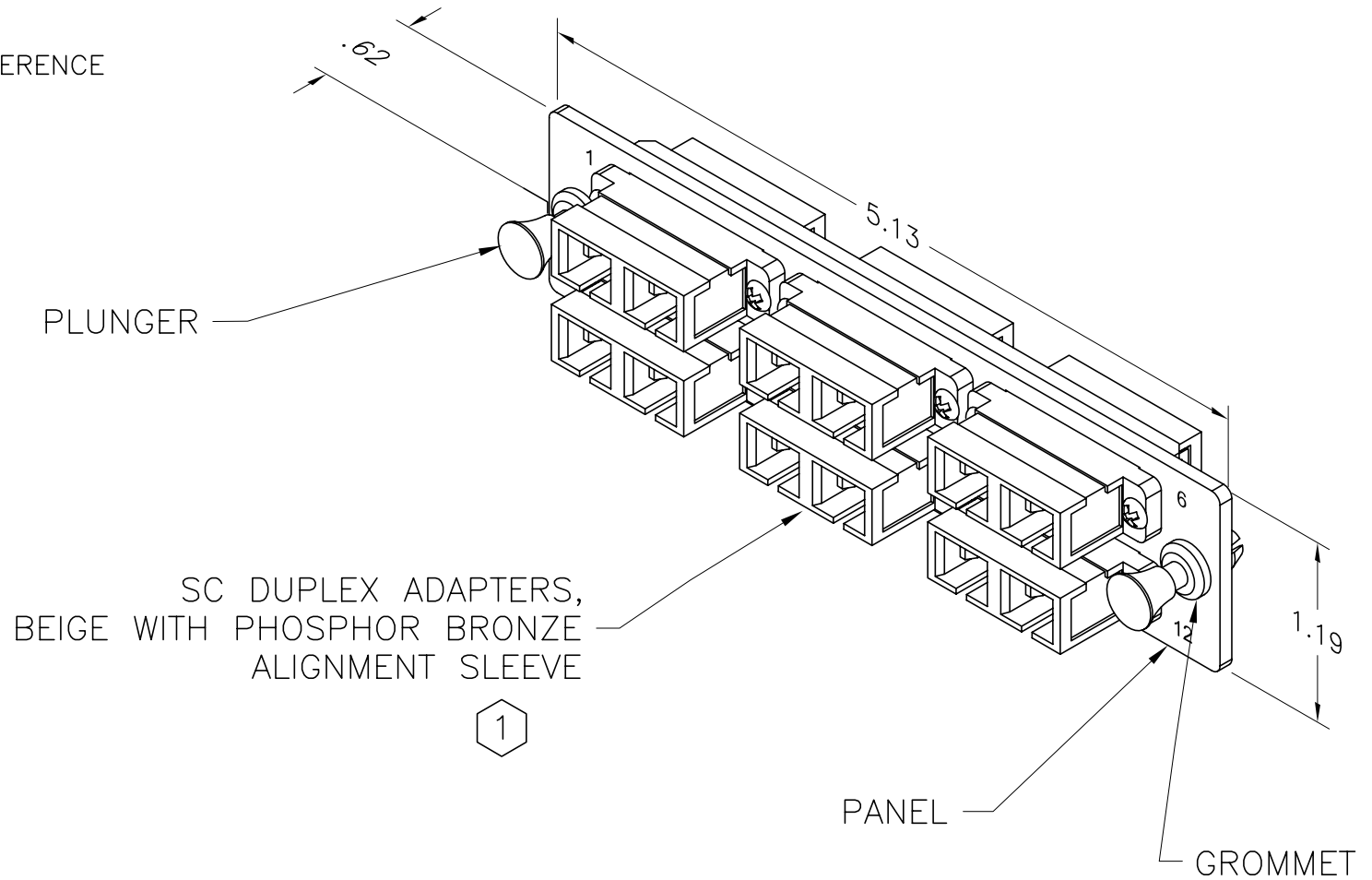



NOTES:

1. DUST CAPS PROVIDED INSTALLED
2. ALL DIMENSIONS ARE INCHES.

 INDICATES NOTE REFERENCE



<p>*** NOTICE ***</p> <p>THIS DOCUMENT CONTAINS CONFIDENTIAL AND/OR PROPRIETARY INFORMATION INTENDED FOR USE ONLY BY THE INDIVIDUAL(S) SPECIFIED HEREIN AND ONLY FOR THE PURPOSE(S) PROVIDED. NEITHER THIS DOCUMENT, NOR ANY INFORMATION CONTAINED HEREIN, MAY BE COPIED, DISTRIBUTED, DISCLOSED TO ANY THIRD PARTY OR USED IN ANY MANNER OTHER THAN FOR WHICH IT HAS BEEN PROVIDED, WITHOUT THE PRIOR WRITTEN CONSENT OF ORTRONICS, INC.</p>				 <p><b>ORTRONICS®</b> NEW LONDON, CT 06320 (860) 445-3800</p>		<p>TITLE</p> <p style="text-align: center;">PANEL ASSY, ADAPTER 6/SC, DX, MM, PHOSPHOR BRONZE</p>			
DWN.BY:	RYNASKI	DATE	5/18/05	SIZE	CAD FILE	PART NUMBER	REV		
CHK.BY:	A.M.	DATE	6/2/05	A	OFFPSCD12MBC	OR-OFP-SCD12MB	03		
APP.BY:	M.E.M.	DATE	6/3/05	SCALE	NONE	DATE	3/10/08		
						SHEET	1 OF 1		