

**Floor Boxes**  
**SystemOne Round Recessed 4 Gang Floor Box**  
**For use in Raised Access or Wood Floors**

# HUBBELL

**Features**

- 8 in. diameter fits in air-diffuser holes
- Stamped steel construction
- Relocatable low voltage partitions
- Equal size device plates for installation flexibility
- Round covers

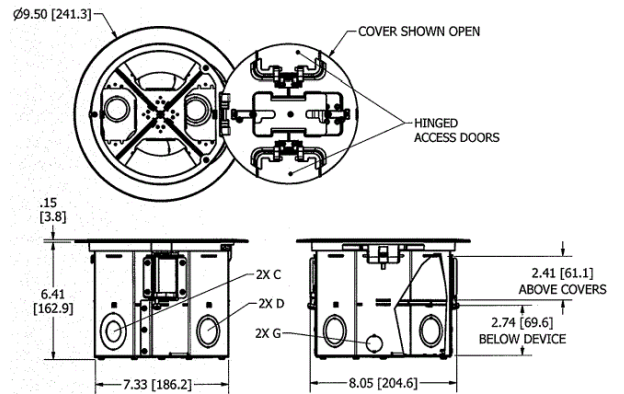
**Ordering Information**

- Temporary cover for use prior to trim-out
- One grounding screw per gang

<b>Catalog Number</b> RAFB4BRS	<b>UPC Number</b> 783585445212	<b>Cover Series</b> CFBS1R8xx - Included	<b>Box Type</b> Raised Access
<b>Device Volume</b> 28 1/2 cu in.	<b>Depth Behind Mounting Plate</b> 2 3/4 in..	<b>Max. Tile Thickness</b> 2 in.	<b>Min. Tile Thickness</b> 3/4 in.

**Specifications**

Box Material	16 gauge galvanized steel
Access Cover Material (ordered separately)	Die cast aluminum



**Online Resources**

[eCatalog](#)