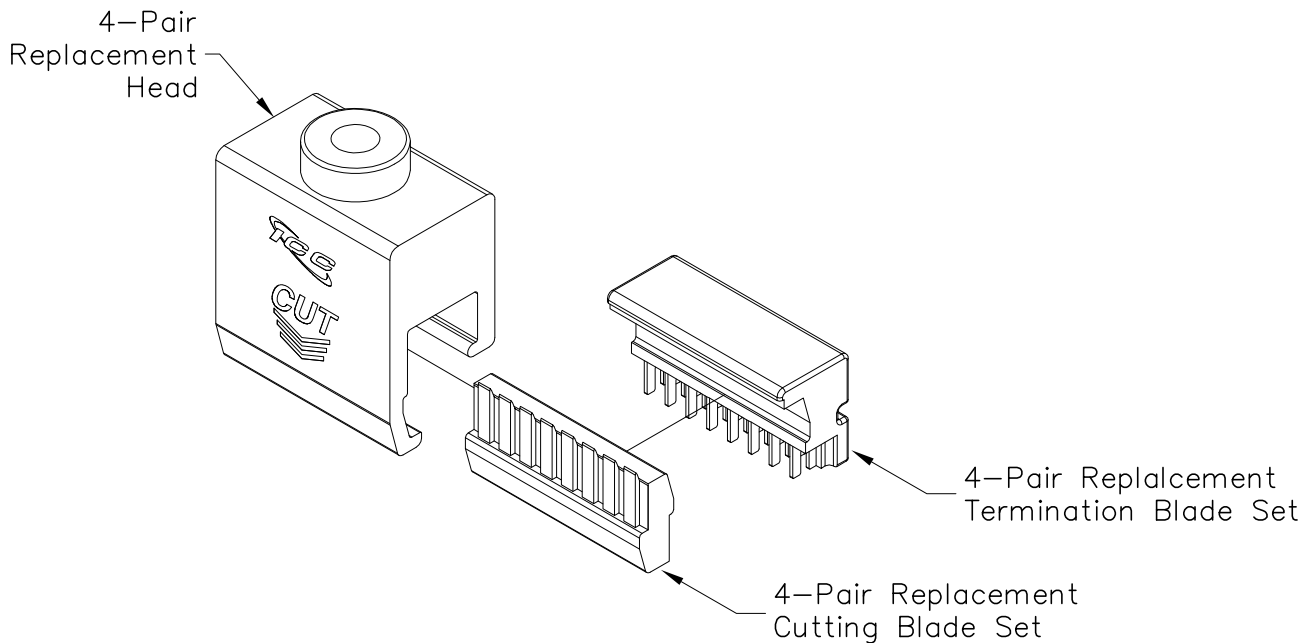


# 4-Pair 1 1 0 Replacement Head

## PRODUCT SPECIFICATION

### Package includes:

- A. 4-Pair Replacement Head, 1 pc
- B. 4-Pair Replacement Terminator Blade Set, 1 pc
- C. 4-Pair Replacement Cutting Blade Set, 1 pc



### Features and Benefits:

- Manufactured from high quality aluminum for strength and durability.
- Designed as a replacement blade head for ICACSPDT4P 4-Pair Punch Down Tool
- Cuts excess wire and terminates 4-pairs with one impact.
- Compatible with ICC's Voice, CAT 5e, CAT 6 Patch Panels and CAT 5e 110 wiring blocks

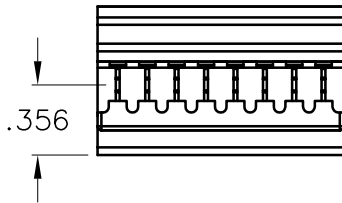
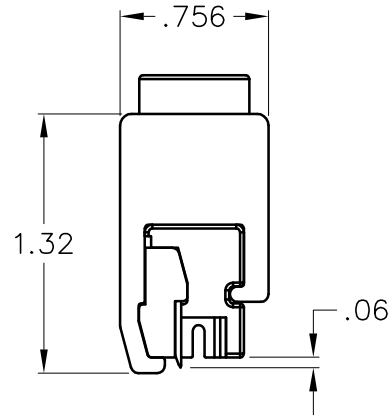
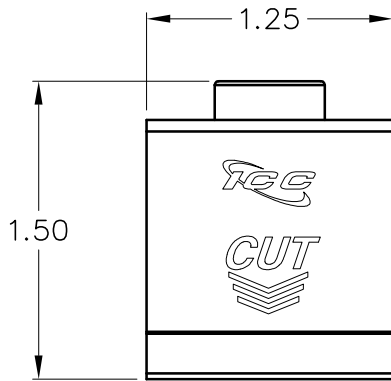
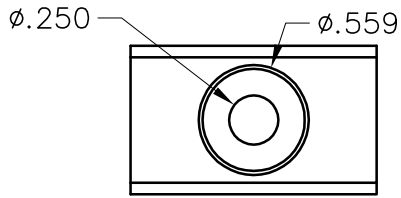
### 1 1 0 REPLACEMENT HEAD, 4-PAIR

ITEM NO.	ICACS04PH5
DWG NO.	PSACS04PH5

REV.	B
PAGE NO.	1



CUSTOMER CARE / TECHNICAL SUPPORT \* CSR@ICC.COM / 888-ASK-4-ICC (275-4422) \* 14700 Alondra Blvd., La Mirada, CA 90638 \* www.icc.com



**NOTE: UNLESS OTHERWISE SPECIFIED**

1. MATERIAL:
  - A. HEAD: AL 6061
  - B. TERMINATOR: NYLON-FIBER
  - C. CUTTER: SK-5
2. FINISH: MATTED TEXTURE
3. HARDNESS: BLADE: HRC 50-60°

**1 10 REPLACEMENT HEAD, 4-PAIR, CAT 5e/CAT 6**

ITEM NO.	ICACS04PH5
DWG NO.	PSACS04PH5

REV.	B
PAGE NO.	2



CUSTOMER CARE / TECHNICAL SUPPORT \* CSR@ICC.COM / 888-ASK-4-ICC (275-4422) \* 14700 Alondra Blvd., La Mirada, CA 90638 \* www.icc.com