

## Angled Stainless-Steel QuickPort® Wallplates with ID Windows

### APPLICATION

Angled stainless-steel wallplates accept QuickPort snap-in modules to support multimedia applications in single- or dual-gang flush-mount housings. Angled ports facilitate optimal cable management, ensuring proper bend radius compliance in front and back of connectors. Stainless-steel material stands up to the more demanding institutional, education, and healthcare environments.



43081-1L2



43081-2L4



43081-1L4



43081-2L8

### SPECIFICATION

The wallplate shall be a flush-mount design that fits standard NEMA openings. It shall provide 2 and 4 ports in a single-gang and 4 and 8 ports in a dual-gang design and feature a 45-degree angled design to facilitate optimal cable management. Wallplate mounting screw holes shall be slotted to permit leveling (+/- 4 degrees for single gang and +/- 2 degrees for double gang) in out of level wall boxes, and shall be hidden behind labeling identification windows at the top and bottom of each wallplate opening. Wallplate shall accept all QuickPort UTP, Fiber, or AV modules. Wallplate face shall be made of type 304 stainless steel with a plastic carrier that shall be fire-retardant plastic rated UL 94V-0. Wallplate shall be cULus Listed and compliant with ANSI/TIA-568-C.0 specifications.

### FEATURES

- 45-degree angled ports ensure proper bend radius compliance in front and back of connector
- Recessed ports protect jack and patch cord plugs
- Stainless steel for enhanced durability
- Includes ID designation windows
- Fits standard NEMA electrical boxes and accommodates low-voltage box eliminators for a flush mount
- Slotted mounting holes allow installers to level the plate if the backbox is crooked
- Compatible with all individual UTP, Fiber, and A/V QuickPort modules (except HDMI or QuickPort connector, 40834-00x)
- Ideal for Cat 6A applications at the workstation

### DESIGN CONSIDERATIONS

- Fits standard NEMA single-gang electrical boxes
- For future expansion, install blanks (41084-0Bx) in unused ports
- Wallplate accepts 2 and 4 QuickPort connectors in single-gang or 4 and 8 connectors in dual-gang designs

### STANDARDS COMPLIANCE

- cULus Listed (UL 1863 & CAN/CSA-C22.2 No. 182.4)
- ANSI/TIA-568-C.0

### PHYSICAL SPECIFICATIONS

Dimensions: See page two  
Materials: Face - Stainless Steel (type 304)  
Carrier - ABS Plastic

### COUNTRY OF ORIGIN

Taiwan

### WARRANTY INFORMATION

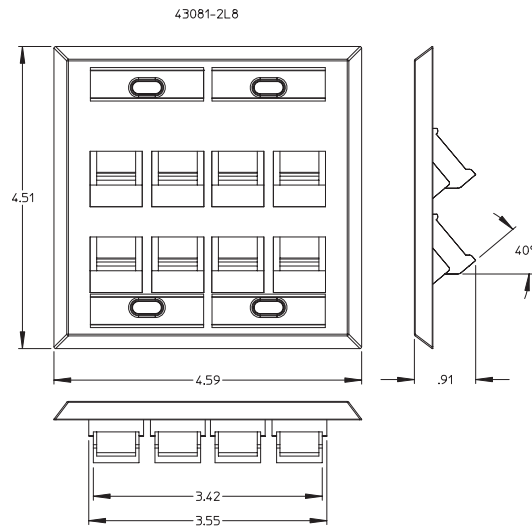
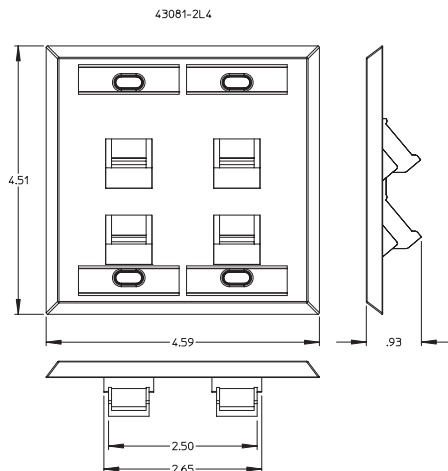
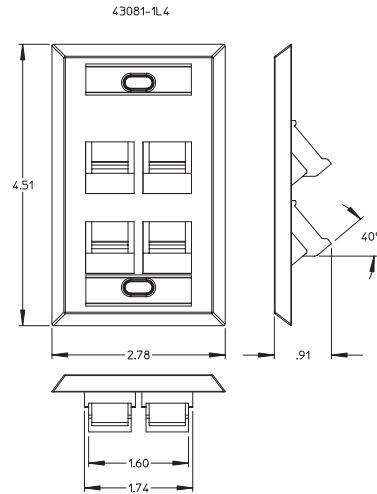
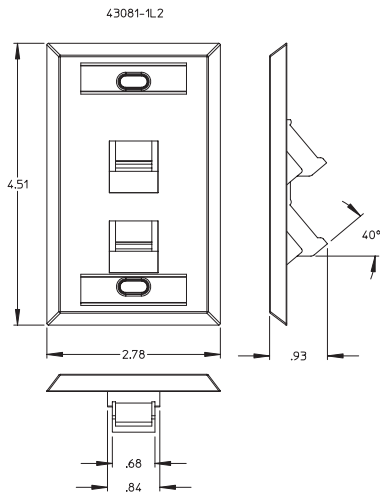
For a copy of Leviton product warranties, visit [www.leviton.com/warranty](http://www.leviton.com/warranty).

<b>Leviton Network Solutions</b> 2222 - 222nd St. SE Bothell, WA 98021-4416  tel 1-800-824-3005 tel +1-425-486-2222 appeng@leviton.com www.leviton.com	<b>Asia / Pacific</b> T +1.631.812.6228 E infoasean@leviton.com	<b>Canada</b> T +1.514.954.1840 E pcSERVICE@leviton.com	<b>Caribbean</b> T +1.954.593.1896 E infocaribbean@leviton.com	<b>China</b> T +852.2774.9876 E infochina@leviton.com	<b>Colombia</b> T +57.1.743.6045 E infocolombia@leviton.com
	<b>Europe</b> T +44.0.1592.772124 E customerservice@brand-rex.com	<b>India / SAARC</b> T +971.4.886.4722 E infoindia@leviton.com	<b>Mexico</b> T +52.55.5082.1040 E lsamarketing@leviton.com	<b>Middle East &amp; Africa</b> T +971.4.886.4722 E lmeinfo@leviton.com	<b>South Korea</b> T +82.2.3273.9963 E infokorea@leviton.com

**ELECTRONIC FILES**

For CAD files, typical specs, or technical drawings (.DXF, .DWG), visit [www.leviton.com](http://www.leviton.com).

43081-xLx



**PART NUMBERS**

Description	Part No.
Angled Stainless-Steel QuickPort® Wallplate with ID Windows, 2 ports, single gang	43081-1L2
Angled Stainless-Steel QuickPort Wallplate with ID Windows, 4 ports, single gang	43081-1L4
Angled Stainless-Steel QuickPort Wallplate with ID Windows, 4 ports, dual gang	43081-2L4
Angled Stainless-Steel QuickPort Wallplate with ID Windows, 8 ports, dual gang	43081-2L8