

C5 Series

AV credenza rack

unique design with integrated thermal management simplifies system design and minimize delays

features:

- Frame to Furniture™ design complements an integrator's installation workflow
- Fully assembled frames ship separately from furniture-grade panels
- Integrated, thermostatically controlled cooling quietly protects active electronics
- Available in 1, 2 and 3 bay models and three depths
- Unique design allows panels to be replaced quickly and easily
- Available in Moderno, Sota and Klasik Styles
- Standard finishes available: Veneer, High Pressure Laminate and Thermolaminate materials



specifications:

EIA Compliant 19" A/V Credenza Rack shall be Middle Atlantic Products model # C5FF_ _ (refer to chart). Credenza Rack shall be available in 1, 2 or 3 bay configurations. Overall dimensions shall be 31-1/4" H x _ W" x _ D (refer to chart). Usable height shall be 14 rackspace per bay. Rack frames shall ship fully assembled and be constructed of steel. Total weight capacity with Middle Atlantic finishing kit shall be _ lbs. Total weight capacity of the frame only (must take into account the weight of the customer supplied finishing kit) shall be _ lbs. Each rack bay shall come equipped with 2 pairs of 11-gauge steel rackrail tapped with 10-32 mounting holes in universal EIA spacing, black e-coat finish and numbered rackspace. Credenza rack shall have one 50 CFM thermostatically controlled proportional speed blower per bay. Exhaust air shall exit the front of the credenza for unrestricted air flow. Thermostatically controlled fans shall be powered on at 87°F and turn off at 85°F. Credenza rack shall require vent panel, model # C5-VENT_ _ (refer to chart) and have venting on the top and bottom of the face of the rack. Credenza rack shall include two adjustable side mounted horizontal lacing bars for enhanced cable management. Credenza rack shall have a steel rear access panel. Credenza rack shall be finished in a durable black powder coat. Top, sides, and front doors shall ship separately from rack frame and be model # C5_K_ _ DX. Top shall be constructed of 1-1/8" OR 1" thick triple refined MDF or Particle Board, sides shall be constructed of 3/4" OR 1" thick triple refined MDF or particle board, front doors shall be constructed of 3/4" thick triple refined MDF. Top, sides and front doors shall be available in a Moderno, Sota or Klasik styles (refer to chart). Front doors shall be solid or plexi (refer to chart). Top, sides and front doors shall be available in Veneer, High Pressure Laminate and Thermolaminate materials, visit middleatlantic.com for list of available finishes. Credenza rack shall include 4 fine floor casters. Credenza rack shall be GREENGUARD Gold Certified with the exception of Veneer finishes, which shall be GREENGUARD Certified. Credenza rack shall be manufactured by an ISO 9001 and ISO 14001 registered company. Credenza Rack frame shall be warrantied to be free from defects in material or workmanship under normal use and conditions for the lifetime of the rack, fans shall be warrantied for a period of three years and wood panels shall be warrantied for a period of 7 years.

Customizable specification clips available at middleatlantic.com

EIA/TIA COMPLIANT



PRODUCT CERTIFIED FOR
LOW CHEMICAL EMISSIONS
UL.COM/GG
UL 2818

options:

- Shelf System insert shall be model # C5-SH-SYS_ _ (refer to chart)
- Flip up side shelf shall be model # C5- _FS_ _ (refer to chart)
- Slide out rotating rack bay shall have 12 rackspace and be model C5D-SRSR12
- Adjustable Rail Bracket shall be model # C5-ARB_ _
- 1 bay rear door extender kit shall be model # C5-EXT-3
- Cable grommet shall be model # C5-CG- _
- Monitor mounts shall be part # C5MM- _ - _
- Millwork kit shall be C5-MK_ _ (frame depth - 27, 31)- _ (number of bays - 1,2,3)



WHAT GREAT SYSTEMS ARE BUILT ON™ | LEGRANDAV.COM

USA P 800.266.7225 E av.middleatlantic.support@legrand.com
CANADA P 888.766.9770 E av.middleatlantic.support@legrand.com

©2019 Middle Atlantic Products, Inc. All rights reserved. All other brand names or marks are used for identification purposes and are trademarks of their respective owners. All patents are protected under existing designations. Other patents pending.

legrand® | AV

COMMERCIAL BRANDS

C2G | Chief | Da-Lite | Luxul | Middle Atlantic | Vaddio | Wiremold

96-01195 / rev q / 5-29-20

C5 Series

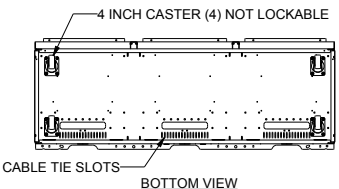
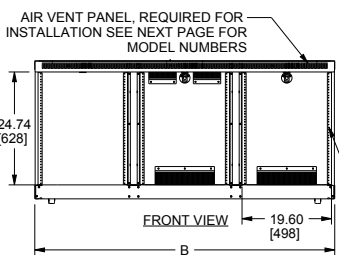
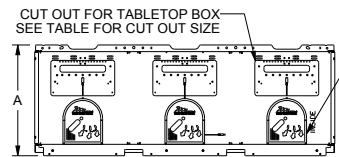
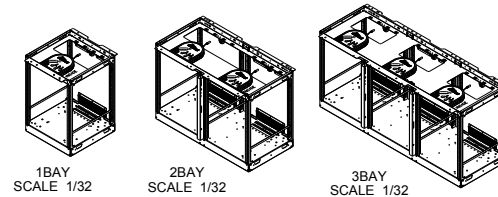
basic dimensions

NOTES:

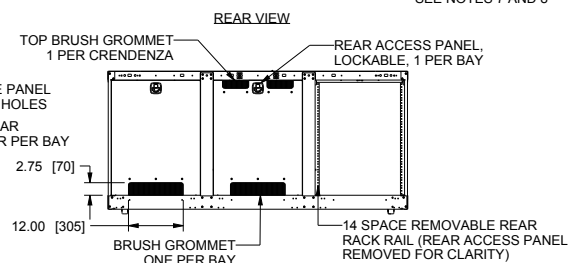
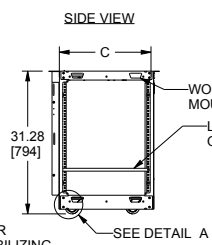
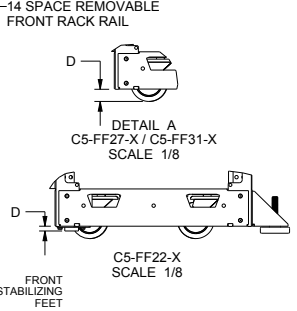
- 1) ALL DIMENSIONS SHOWN IN FORMAT: INCHES (MILLIMETERS)
- 2) AMPERAGE IS BASED ON ACTUAL AMPERAGE RATINGS, NOT ON NAMEPLATE RATINGS, WHICH HAVE BEEN PROVEN TO VARY SIGNIFICANTLY
- 3) IDEAL MAX. TEMP. CHANGE 15° F BASED ON AN AMBIENT ROOM TEMP. OF 70° F
- 4) THIS DATA IS MADE ASSUMING THAT THE CREDENZA IS PLACED AGAINST A WALL IN A ROOM
- 5) 1 POWER SUPPLY PER FRAME WITH 68 (1727) LONG CORD
- 6) FRONT AND REAR STABILIZING FEET INCLUDED ONLY ON 22" DEEP MODELS (SEE DETAIL A)
- 7) RATED WEIGHT CAPACITY IS WITH MAP WOODKIT
- 8) 22" DEEP MODELS RATED FOR MAX. 250LBS ON TOP, 250LBS INSIDE
- 9) 27" AND 31" MODELS RATED FOR MAX. 350LBS ON TOP, 250LBS INSIDE
- 10) TOTAL WEIGHT CAPACITY INCLUDES USER-PROVIDED WOODKIT

COOLING CAPABILITIES			
THERMAL LOAD	TEMP CHANGE (° F)	TEMP CHANGE (° F)	TEMP CHANGE (° F)
	C5-FF22-1 / C5-FF27-1 / C5-FF31-1	C5-FF22-2 / C5-FF27-2 / C5-FF31-2	C5-FF22-3 / C5-FF27-3 / C5-FF31-3
0.8A-100W	3.3	1.8	1.3
1.7A-200W	7.4	4.6	3.7
2.5A-300W	9.9	6.5	4.7
3.3A-400W	14.5	7.2	5.3
4.2A-500W	17.8	10.0	7.8
5.0A-600W	21.2	11.3	9.0
5.8A-700W	25.8	14.5	10.1
6.7A-800W	26.6	15.0	12.2
7.5A-900W	31.5	17.7	13.3
8.A-1000W	33.3	19.5	15.6

REV	DESCRIPTION	REV BY	REV DATE	APPD BY	DATE APP.
-	PRODUCTION RELEASE	///	///	JJP	07/29/14
A	EC-7044 CHANGED THICKNESS OF TOP ON KLASIK STYLE TO 1"	RHP	09/17/14	JJP	09/17/14
B	EC-6941 REDUCED NUMBER OF BLOWER CONTROLLERS TO 1 PER FRAME	RHP	10/16/14	BKW	10/16/14
C	EC-7583 INCREASE THE WIDTH ON MODERNO TOPS & ADJUST DOOR SWING	DCR	04/01/15	RHP	04/01/15
D	EC-8588 UPDATED WITH NEW C5 FINISHING KIT NUMBERS	RHP	04/04/16	JJP	04/04/16
E	EC-10510 - NEW PRODUCT RELEASE, C5 22" DEEP MODELS	TDP	07/30/18	RHP	07/30/18
F	EC-11350 - ADD MISSING DIM. FRONT OF RACKRAIL TO INSIDE DOOR	SB	10/16/19	RHP	10/17/19



FRAME PART NUMBER	"A" DEPTH	"B" WIDTH	"C" USEABLE DEPTH	"D" CLEARANCE	CUT OUT SIZE	CUT OUT QTY	DBA	FAN FREE AIR RATED CFM	ACTUAL INSTALLED CFM	RATED WEIGHT CAPACITY	TOTAL WEIGHT CAPACITY
C5-FF22-1	19.67 [500]	21.05 [535]	15.48 [393]	.15 [4]	3.13 [80] X 17.05 [433]	1	33	50	46	500LBS/227KG	550LBS/250KG
C5-FF22-2	19.67 [500]	43.39 [1102]	15.48 [393]	.15 [4]	3.13 [80] X 39.39 [1001]	1	34	100	91	500LBS/227KG	550LBS/250KG
C5-FF22-3	19.67 [500]	65.75 [1670]	15.48 [393]	.15 [4]	3.13 [80] X 14.00 [356]	3	36	150	138	500LBS/227KG	550LBS/250KG
C5-FF27-1	24.27 [616]	21.05 [535]	20.08 [510]	1.00 [25]	7.75 [197] X 17.05 [433]	1	33	50	46	600LBS/273KG	800LBS/363KG
C5-FF27-2	24.27 [616]	43.39 [1102]	20.08 [510]	1.00 [25]	7.75 [197] X 39.39 [1001]	1	34	100	91	600LBS/273KG	800LBS/363KG
C5-FF27-3	24.27 [616]	65.75 [1670]	20.08 [510]	1.00 [25]	7.75 [197] X 14.00 [356]	3	36	150	138	600LBS/273KG	800LBS/363KG
C5-FF31-1	28.13 [714]	21.05 [535]	23.94 [608]	1.00 [25]	10.00 [254] X 17.05 [433]	1	33	50	46	600LBS/273KG	800LBS/363KG
C5-FF31-2	28.13 [714]	43.39 [1102]	23.94 [608]	1.00 [25]	10.00 [254] X 39.39 [1001]	1	34	100	91	600LBS/273KG	800LBS/363KG
C5-FF31-3	28.13 [714]	65.75 [1670]	23.94 [608]	1.00 [25]	10.00 [254] X 14.00 [356]	3	36	150	138	600LBS/273KG	800LBS/363KG



WHAT GREAT SYSTEMS ARE BUILT ON™ | LEGRANDAV.COM

USA P 800.266.7225 E av.middleatlantic.support@legrand.com
 CANADA P 888.766.9770 E av.middleatlantic.support@legrand.com

©2019 Middle Atlantic Products, Inc. All rights reserved. All other brand names or marks are used for identification purposes and are trademarks of their respective owners. All patents are protected under existing designations. Other patents pending.



COMMERCIAL BRANDS

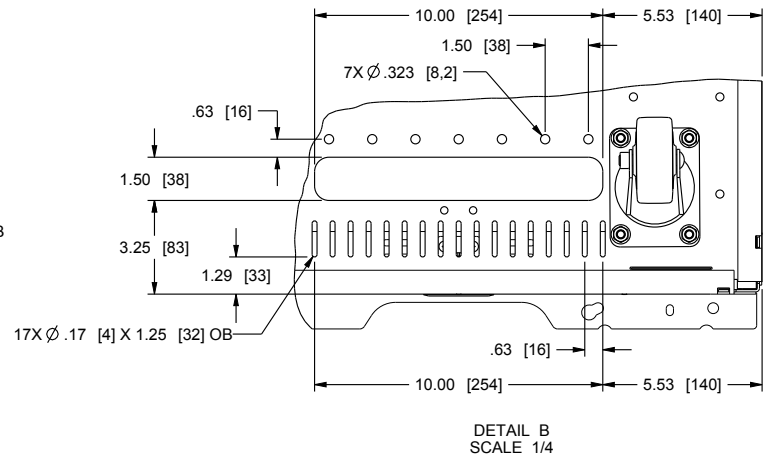
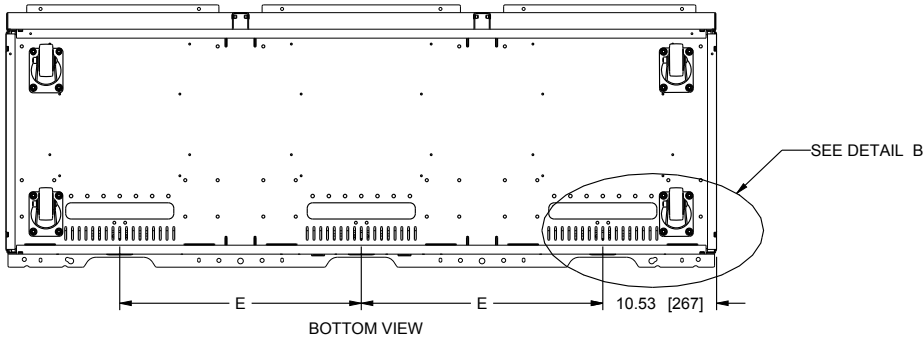
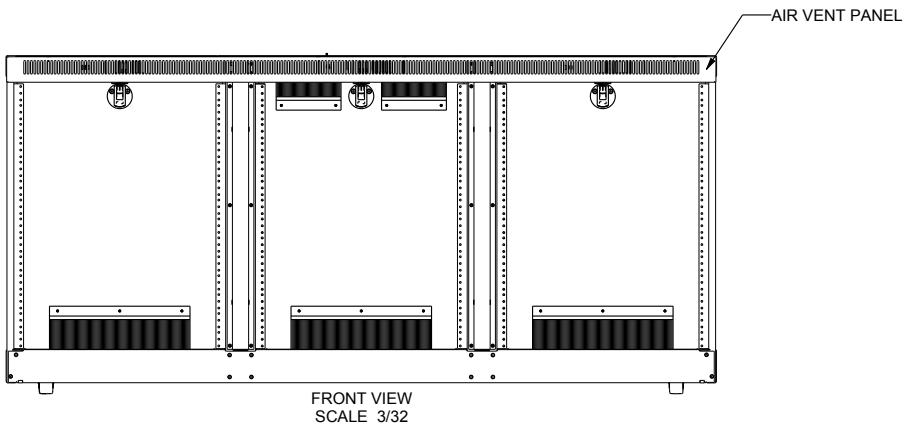
C2G | Chief | Da-Lite | Luxul | Middle Atlantic | Vaddio | Wiremold

C5 Series

basic dimensions

NOTES:

- 1) ALL DIMENSIONS SHOWN IN FORMAT:
INCHES [MILLIMETERS]
- 2) AIR VENT PANEL IS REMOVABLE AND OFFERED IN DIFFERENT COLORS, REQUIRED FOR INSTALLATION



COLOR CODE	
WH	WHITE
OW	OFF WHITE
SM	SILVER METALLIC
BK	FLAT BLACK

FRAME PART NUMBER	"E" CENTER DISTANCE	AIR VENT PART NUMBER
C5-FF22-1	NA	C5-VENT1-WH C5-VENT1-OW C5-VENT1-SM C5-VENT1-BK
C5-FF27-1		
C5-FF31-1		
C5-FF22-2	22.35 [568]	C5-VENT2-WH C5-VENT2-OW C5-VENT2-SM C5-VENT2-BK
C5-FF27-2		
C5-FF31-2		
C5-FF22-3	22.35 [568]	C5-VENT3-WH C5-VENT3-OW C5-VENT3-SM C5-VENT3-BK
C5-FF27-3		
C5-FF31-3		



WHAT GREAT SYSTEMS ARE BUILT ON™ | LEGRANDAV.COM

USA P 800.266.7225 E av.middleatlantic.support@legrand.com
CANADA P 888.766.9770 E av.middleatlantic.support@legrand.com

©2019 Middle Atlantic Products, Inc. All rights reserved. All other brand names or marks are used for identification purposes and are trademarks of their respective owners. All patents are protected under existing designations. Other patents pending.

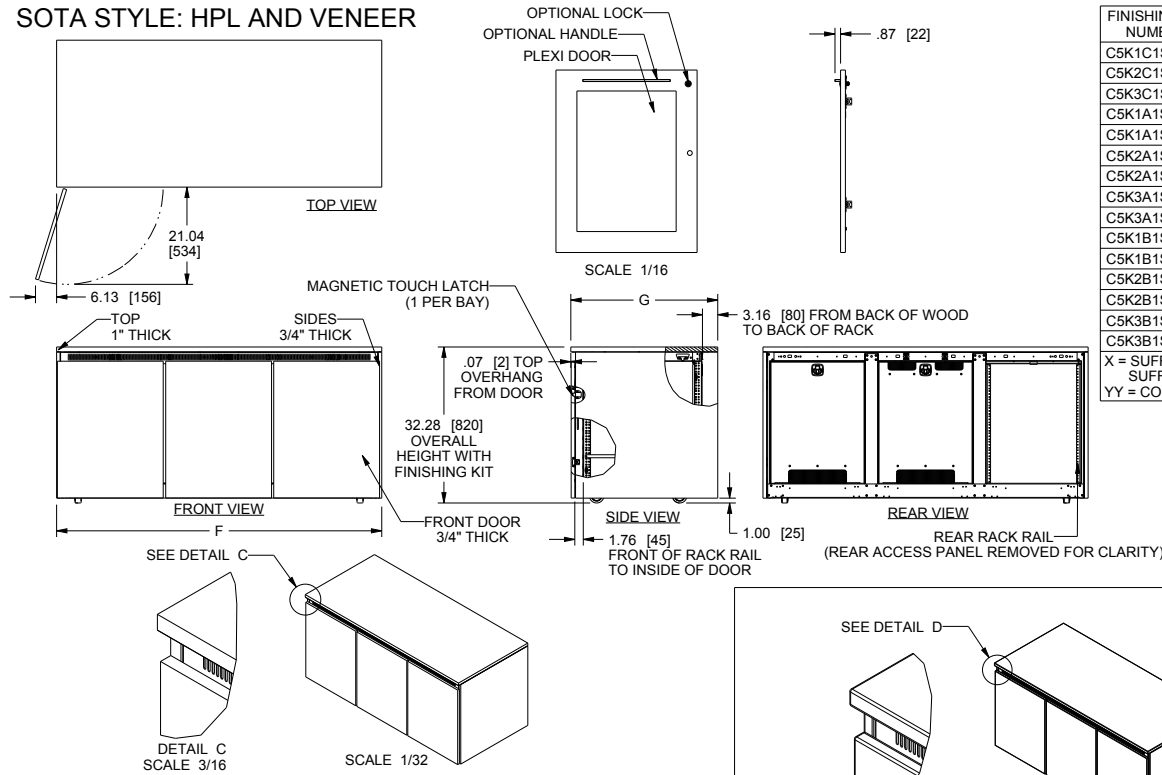


COMMERCIAL BRANDS

C2G | Chief | Da-Lite | Luxul | Middle Atlantic | Vaddio | Wiremold

C5 Series Sota Style: basic dimensions

SOTA STYLE: HPL AND VENEER

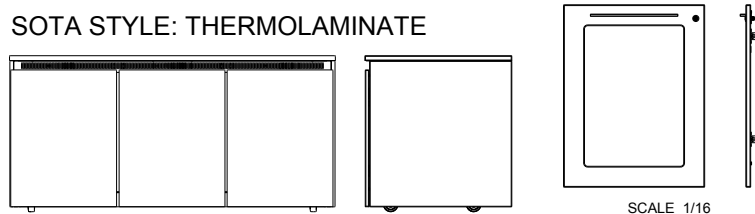


FINISHING KIT NUMBER	DOOR TYPE	"F" WIDTH	"G" DEPTH	COMPATIBLE WITH
C5K1C1SSXYY	SOLID	22.8 [580]	21.9 [557]	C5-FF22-1
C5K2C1SSXYY	SOLID	45.1 [1146]	21.9 [557]	C5-FF22-2
C5K3C1SSXYY	SOLID	67.5 [1715]	21.9 [557]	C5-FF22-3
C5K1A1SPXYY	PLEXI	22.8 [580]	26.6 [676]	C5-FF27-1
C5K1A1SSXYY	SOLID	22.8 [580]	26.6 [676]	C5-FF27-1
C5K2A1SPXYY	PLEXI	45.1 [1146]	26.6 [676]	C5-FF27-2
C5K2A1SSXYY	SOLID	45.1 [1146]	26.6 [676]	C5-FF27-2
C5K3A1SPXYY	PLEXI	67.5 [1715]	26.6 [676]	C5-FF27-3
C5K3A1SSXYY	SOLID	67.5 [1715]	26.6 [676]	C5-FF27-3
C5K1B1SPXYY	PLEXI	22.8 [580]	30.4 [773]	C5-FF31-1
C5K1B1SSXYY	SOLID	22.8 [580]	30.4 [773]	C5-FF31-1
C5K2B1SPXYY	PLEXI	45.1 [1146]	30.4 [773]	C5-FF31-2
C5K2B1SSXYY	SOLID	45.1 [1146]	30.4 [773]	C5-FF31-2
C5K3B1SPXYY	PLEXI	67.5 [1715]	30.4 [773]	C5-FF31-3
C5K3B1SSXYY	SOLID	67.5 [1715]	30.4 [773]	C5-FF31-3

X = SUFFIX WITH V FOR VENEER FINISH, SUFFIX WITH H FOR HPL FINISH
 SUFFIX WITH T FOR THERMOLAMINATE FINISH
 YY = COLOR SELECTION; REFER TO MIDDLEATLANTIC.COM FOR OPTIONS.

ACCESSORY PART NUMBER	ACCESSORY TYPE	COLOR CODE
ACC-LOCK1-BK	LOCK	BLACK
ACC-LOCK1-MA	LOCK	MODERN ALUMINUM (MATTE FINISH)
ACC-LOCK1-WH	LOCK	WHITE
ACC-HANDLE1-MA	HANDLE	MODERN ALUMINUM (MATTE FINISH)

SOTA STYLE: THERMOLAMINATE



NOTE(S):
 1) ALL DIMENSIONS SHOWN IN FORMAT:
 INCHES [MILLIMETERS]
 2) TO ORDER, FULL PART NUMBER MUST BE GENERATED AT MIDDLEATLANTIC.COM.
 3) 2 BAY CREDENZAS HAVE A LEFT AND RIGHT DOOR BY DEFAULT, 3 AND 1 BAY CREDENZAS HAVE LEFT DOORS BY DEFAULT



WHAT GREAT SYSTEMS ARE BUILT ON™ | LEGRANDAV.COM

USA P 800.266.7225 E av.middleatlantic.support@legrand.com
 CANADA P 888.766.9770 E av.middleatlantic.support@legrand.com

©2019 Middle Atlantic Products, Inc. All rights reserved. All other brand names or marks are used for identification purposes and are trademarks of their respective owners. All patents are protected under existing designations. Other patents pending.

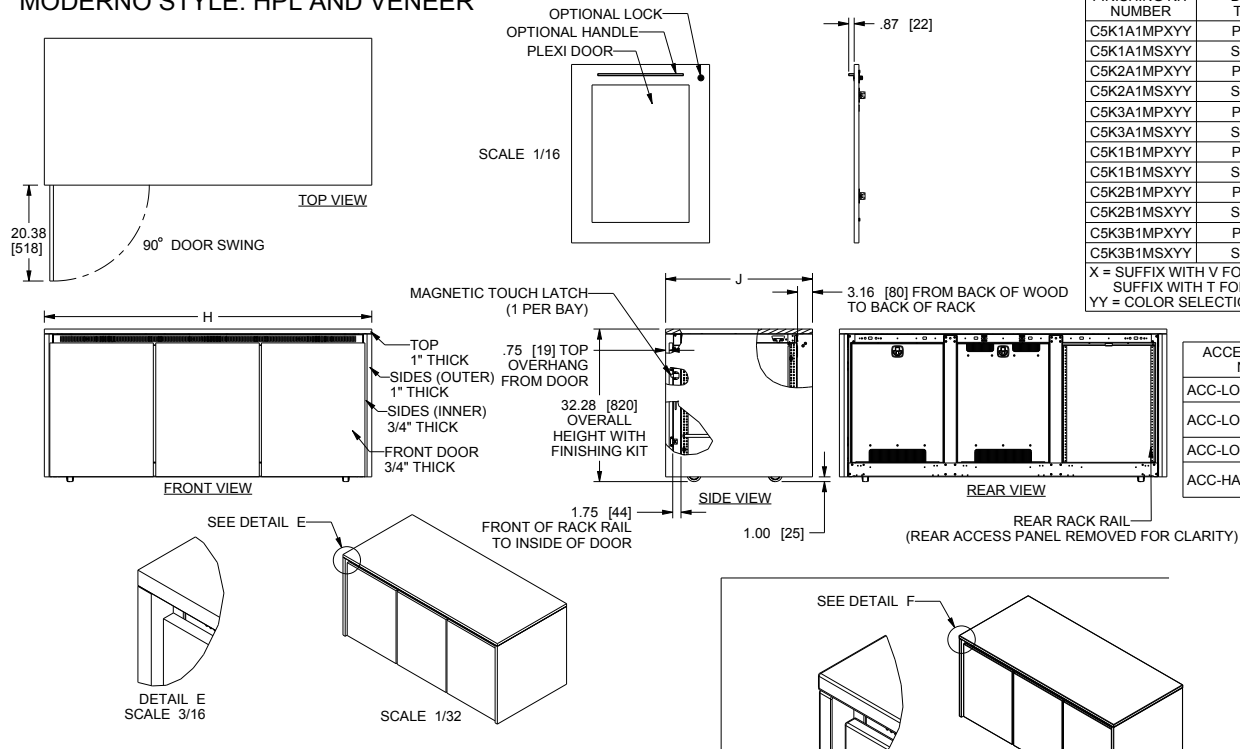


COMMERCIAL BRANDS

C2G | Chief | Da-Lite | Luxul | Middle Atlantic | Vaddio | Wiremold

C5 Series Moderno Style: basic dimensions

MODERNO STYLE: HPL AND VENEER

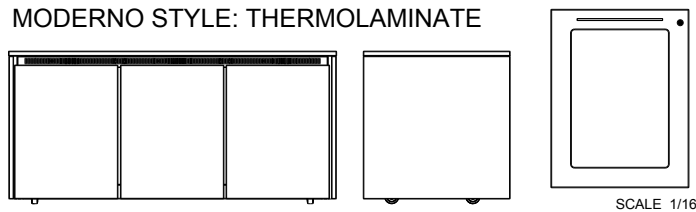


FINISHING KIT NUMBER	DOOR TYPE	"H" WIDTH	"J" DEPTH	COMPATIBLE WITH
C5K1A1MPXYY	PLEXI	24.9 [632]	27.3 [694]	C5-FF27-1
C5K1A1MSXYY	SOLID			
C5K2A1MPXYY	PLEXI	47.2 [1199]	27.3 [694]	C5-FF27-2
C5K2A1MSXYY	SOLID			
C5K3A1MPXYY	PLEXI	69.6 [1768]	27.3 [694]	C5-FF27-3
C5K3A1MSXYY	SOLID			
C5K1B1MPXYY	PLEXI	24.9 [632]	31.1 [790]	C5-FF31-1
C5K1B1MSXYY	SOLID			
C5K2B1MPXYY	PLEXI	47.2 [1199]	31.1 [790]	C5-FF31-2
C5K2B1MSXYY	SOLID			
C5K3B1MPXYY	PLEXI	69.6 [1768]	31.1 [790]	C5-FF31-3
C5K3B1MSXYY	SOLID			

X = SUFFIX WITH V FOR VENEER FINISH, SUFFIX WITH H FOR HPL FINISH
 SUFFIX WITH T FOR THERMOLAMINATE FINISH
 YY = COLOR SELECTION; REFER TO MIDDLEATLANTIC.COM FOR OPTIONS.

ACCESSORY PART NUMBER	ACCESSORY TYPE	COLOR CODE
ACC-LOCK1-BK	LOCK	BLACK
ACC-LOCK1-MA	LOCK	MODERN ALUMINUM (MATTE FINISH)
ACC-LOCK1-WH	LOCK	WHITE
ACC-HANDLE1-MA	HANDLE	MODERN ALUMINUM (MATTE FINISH)

MODERNO STYLE: THERMOLAMINATE



NOTE(S):
 1) ALL DIMENSIONS SHOWN IN FORMAT:
 INCHES [MILLIMETERS]
 2) TO ORDER, FULL PART NUMBER MUST BE GENERATED
 AT MIDDLEATLANTIC.COM.
 3) 2 BAY CREDENZAS HAVE A LEFT AND RIGHT DOOR BY DEFAULT,
 3 AND 1 BAY CREDENZAS HAVE LEFT DOORS BY DEFAULT



WHAT GREAT SYSTEMS ARE BUILT ON™ | LEGRANDAV.COM

USA P 800.266.7225 E av.middleatlantic.support@legrand.com
 CANADA P 888.766.9770 E av.middleatlantic.support@legrand.com

©2019 Middle Atlantic Products, Inc. All rights reserved. All other brand names or marks are used for identification purposes and are trademarks of their respective owners. All patents are protected under existing designations. Other patents pending.

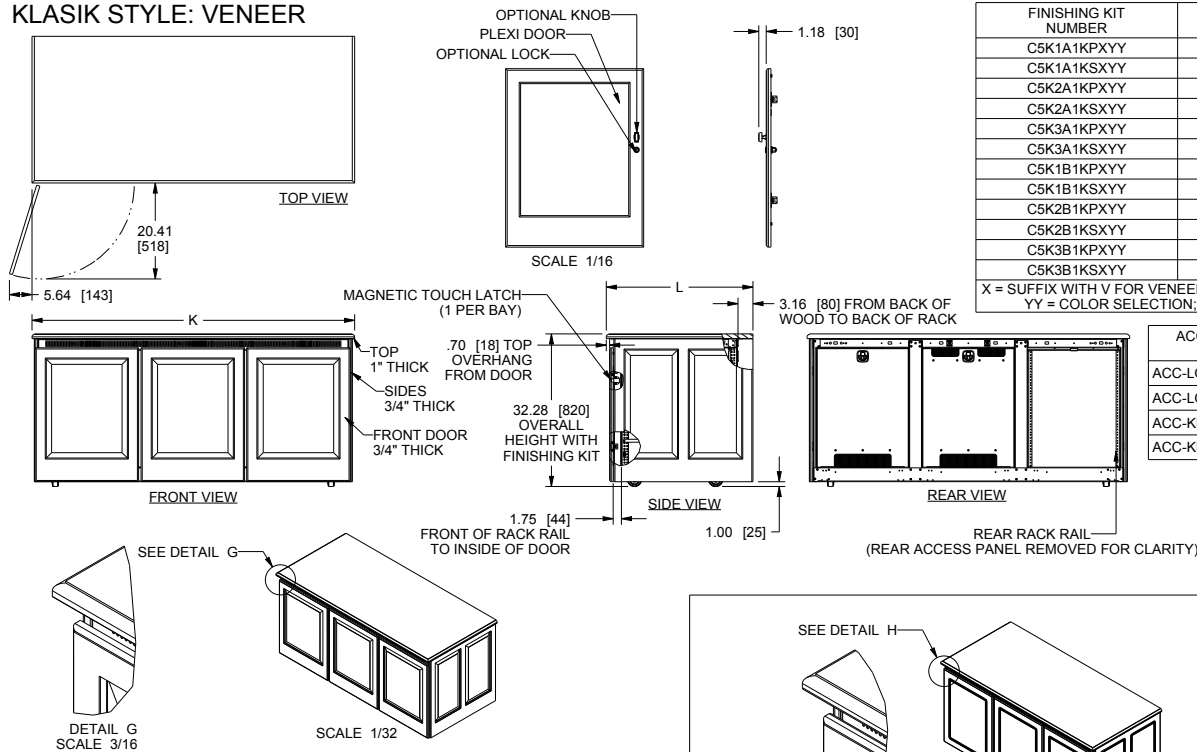


COMMERCIAL BRANDS

C2G | Chief | Da-Lite | Luxul | Middle Atlantic | Vaddio | Wiremold

C5 Series Klasik Style: basic dimensions

KLASIK STYLE: VENEER

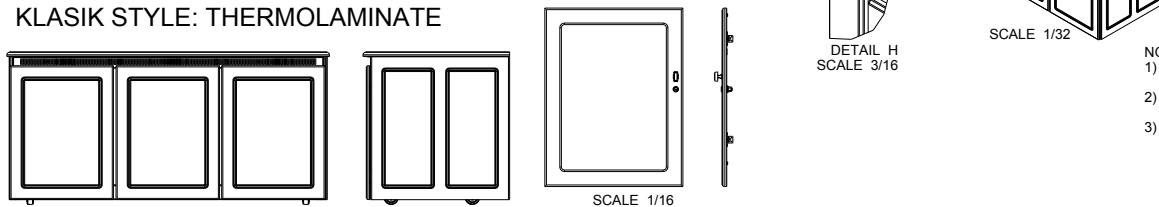


FINISHING KIT NUMBER	DOOR TYPE	"K" WIDTH	"L" DEPTH	COMPATIBLE WITH
C5K1A1KPXY	PLEXI	23.6 [600]	27.2 [691]	C5-FF27-1
C5K1A1KSXY	SOLID			
C5K2A1KPXY	PLEXI	46.0 [1169]	27.2 [691]	C5-FF27-2
C5K2A1KSXY	SOLID			
C5K3A1KPXY	PLEXI	68.3 [1735]	27.2 [691]	C5-FF27-3
C5K3A1KSXY	SOLID			
C5K1B1KPXY	PLEXI	23.6 [600]	31.1 [790]	C5-FF31-1
C5K1B1KSXY	SOLID			
C5K2B1KPXY	PLEXI	46.0 [1169]	31.1 [790]	C5-FF31-2
C5K2B1KSXY	SOLID			
C5K3B1KPXY	PLEXI	68.3 [1735]	31.1 [790]	C5-FF31-3
C5K3B1KSXY	SOLID			

X = SUFFIX WITH V FOR VENEER FINISH, SUFFIX WITH T FOR THERMOLAMINATE FINISH
YY = COLOR SELECTION; REFER TO MIDDLEATLANTIC.COM FOR OPTIONS.

ACCESSORY PART NUMBER	ACCESSORY TYPE	COLOR CODE
ACC-LOCK1-SN	LOCK	SATIN NICKEL
ACC-LOCK1-CB	LOCK	CLASSIC BRONZE
ACC-KNOB1-CN	KNOB	CLASSIC NICKEL
ACC-KNOB1-CB	KNOB	CLASSIC BRONZE

KLASIK STYLE: THERMOLAMINATE



- NOTE(S):
- 1) ALL DIMENSIONS SHOWN IN FORMAT: INCHES [MILLIMETERS]
 - 2) TO ORDER, FULL PART NUMBER MUST BE GENERATED AT MIDDLEATLANTIC.COM.
 - 3) 2 BAY CREDENZAS HAVE A LEFT AND RIGHT DOOR BY DEFAULT, 3 AND 1 BAY CREDENZAS HAVE LEFT DOORS BY DEFAULT



WHAT GREAT SYSTEMS ARE BUILT ON™ | LEGRANDAV.COM

USA P 800.266.7225 E av.middleatlantic.support@legrand.com
CANADA P 888.766.9770 E av.middleatlantic.support@legrand.com

©2019 Middle Atlantic Products, Inc. All rights reserved. All other brand names or marks are used for identification purposes and are trademarks of their respective owners. All patents are protected under existing designations. Other patents pending.



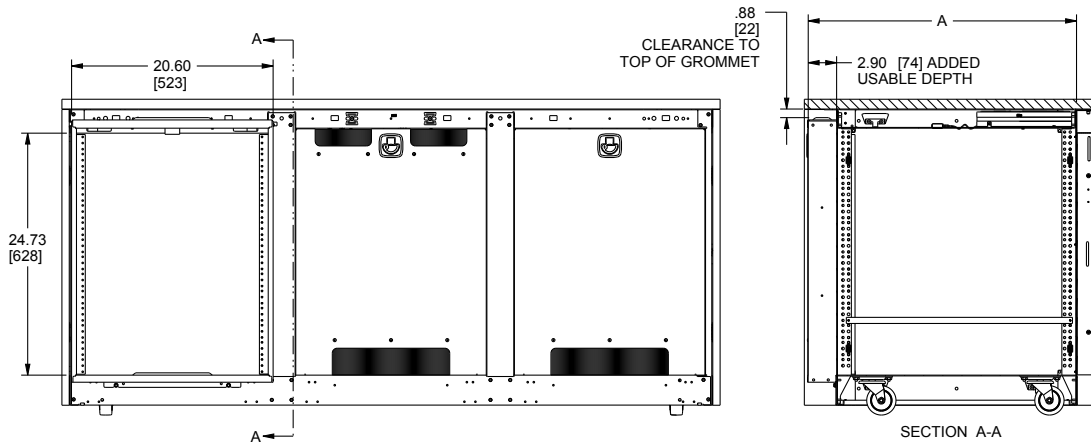
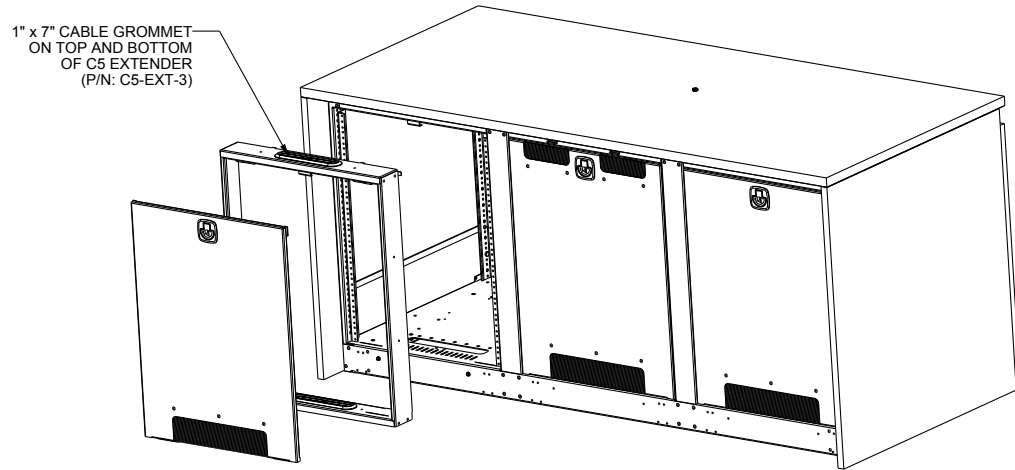
COMMERCIAL BRANDS

C2G | Chief | Da-Lite | Luxul | Middle Atlantic | Vaddio | Wiremold

C5 Series

basic dimensions

FRAME PART NUMBER	"A" COMBINED DEPTH
C5-FF22-1, C5-FF22-2, C5-FF22-3	18.94 [481]
C5-FF27-1, C5-FF27-2, C5-FF27-3	23.54 [598]
C5-FF31-1, C5-FF31-2, C5-FF31-3	27.42 [697]



NOTE(S):
1) ALL DIMENSIONS SHOWN IN FORMAT:
INCHES [MILLIMETERS]



WHAT GREAT SYSTEMS ARE BUILT ON™ | LEGRANDAV.COM

USA P 800.266.7225 E av.middleatlantic.support@legrand.com
CANADA P 888.766.9770 E av.middleatlantic.support@legrand.com

©2019 Middle Atlantic Products, Inc. All rights reserved. All other brand names or marks are used for identification purposes and are trademarks of their respective owners. All patents are protected under existing designations. Other patents pending.



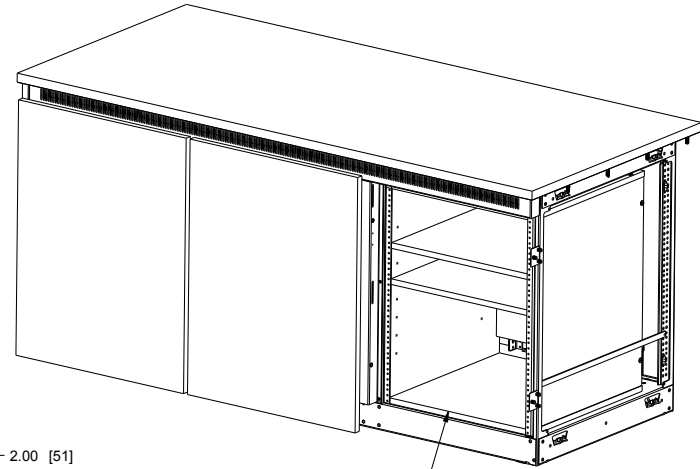
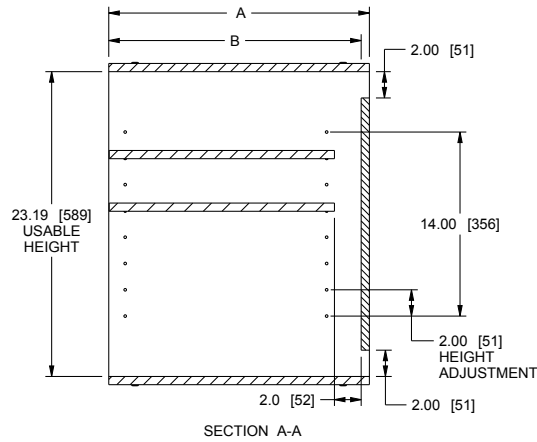
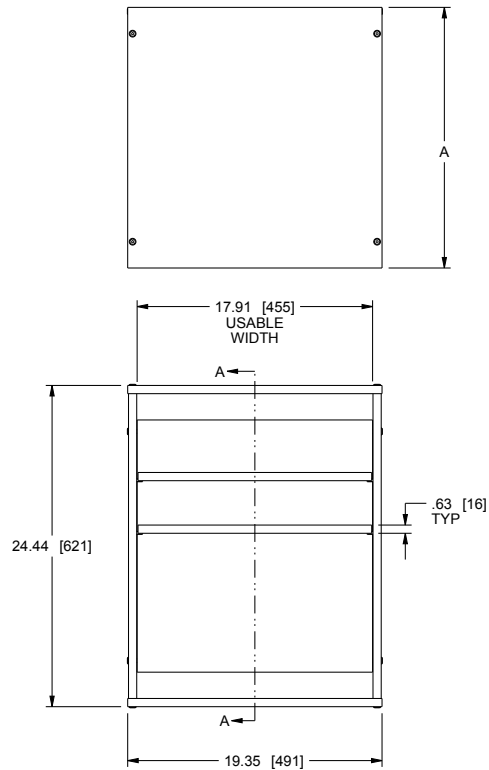
COMMERCIAL BRANDS

C2G | Chief | Da-Lite | Luxul | Middle Atlantic | Vaddio | Wiremold

C5 Series

basic dimensions

PART NUMBER	"A" DEPTH	"B" USABLE DEPTH	COMPATIBLE FRAMES
C5-SH-SYS22	11.36 [289]	10.74 [273]	C5-FF22-1, C5-FF22-2, C5-FF22-3
C5-SH-SYS27	15.97 [406]	15.34 [390]	C5-FF27-1, C5-FF27-2, C5-FF27-3
C5-SH-SYS31	19.83 [504]	19.20 [488]	C5-FF31-1, C5-FF31-2, C5-FF31-3



SHELF SHOWN INSTALLED
IN C5 CREDENZA
WITH DOOR AND SIDE PANEL
REMOVED FOR CLARITY

NOTE(S):
1) ALL DIMENSIONS SHOWN IN FORMAT:
INCHES [MILLIMETERS]



WHAT GREAT SYSTEMS ARE BUILT ON™ | LEGRANDAV.COM

USA P 800.266.7225 E av.middleatlantic.support@legrand.com
CANADA P 888.766.9770 E av.middleatlantic.support@legrand.com

©2019 Middle Atlantic Products, Inc. All rights reserved. All other brand names or marks are used for identification purposes and are trademarks of their respective owners. All patents are protected under existing designations. Other patents pending.



COMMERCIAL BRANDS

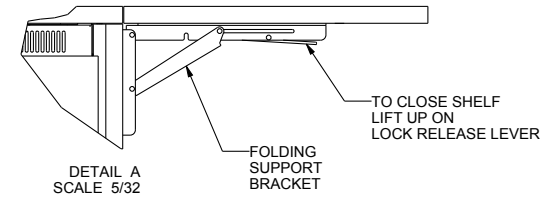
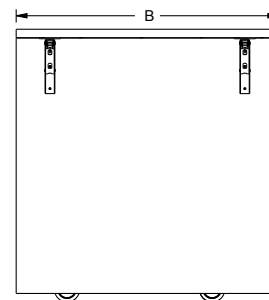
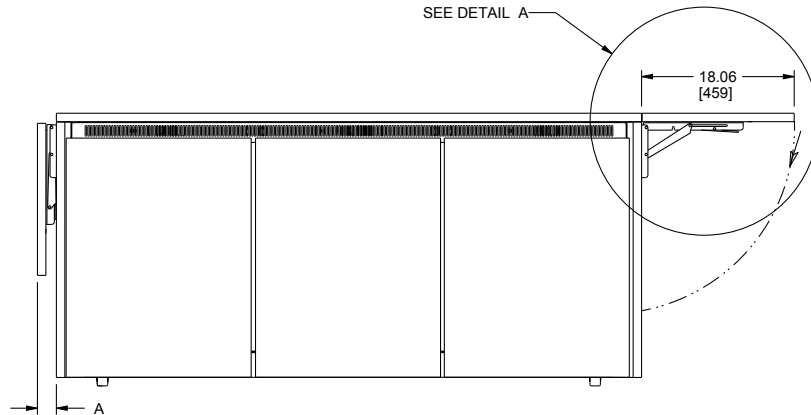
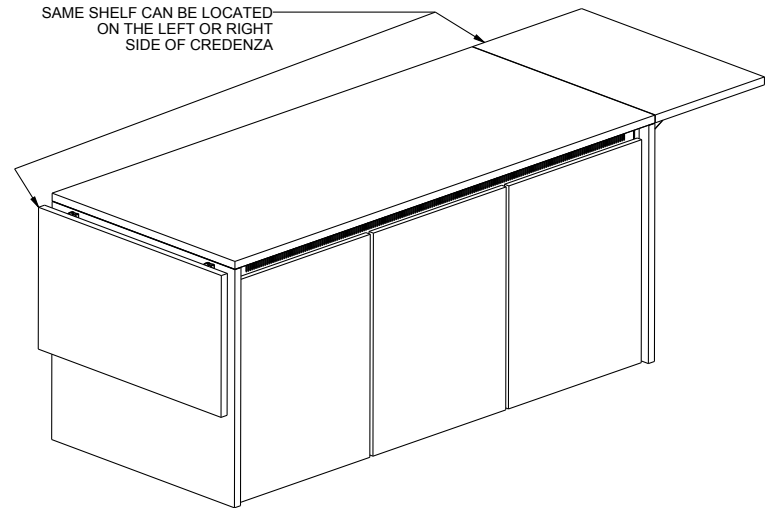
C2G | Chief | Da-Lite | Luxul | Middle Atlantic | Vaddio | Wiremold

C5 Series

basic dimensions

PART NUMBER	COMPATIBLE FRAMES	COMPATIBLE STYLES	COMPATIBLE FINISH TYPE	"A" OVERHANG	"B" DEPTH
C5-MFS27-VXX	C5-FF27-1, C5-FF27-2, C5-FF27-3	MODERNO	veneer	2.25 [57]	27.3 [694]
C5-MFS31-VXX	C5-FF31-1, C5-FF31-2, C5-FF31-3	MODERNO	veneer	2.25 [57]	31.1 [790]
C5-MFS27-HXX	C5-FF27-1, C5-FF27-2, C5-FF27-3	MODERNO	HPL	2.25 [57]	27.3 [694]
C5-MFS31-HXX	C5-FF31-1, C5-FF31-2, C5-FF31-3	MODERNO	HPL	2.25 [57]	31.1 [790]
C5-MFS27-TXX	C5-FF27-1, C5-FF27-2, C5-FF27-3	MODERNO	THERMOLAMINATE	2.25 [57]	27.3 [694]
C5-MFS31-TXX	C5-FF31-1, C5-FF31-2, C5-FF31-3	MODERNO	THERMOLAMINATE	2.25 [57]	31.1 [790]
C5-SFS27-VXX	C5-FF27-1, C5-FF27-2, C5-FF27-3	SOTA	veneer	2.25 [57]	26.6 [676]
C5-SFS31-VXX	C5-FF31-1, C5-FF31-2, C5-FF31-3	SOTA	veneer	2.25 [57]	30.4 [773]
C5-SFS22-HXX	C5-FF22-1, C5-FF22-2, C5-FF22-3	SOTA	HPL	2.25 [57]	21.9 [557]
C5-SFS27-HXX	C5-FF27-1, C5-FF27-2, C5-FF27-3	SOTA	HPL	2.25 [57]	26.6 [676]
C5-SFS31-HXX	C5-FF31-1, C5-FF31-2, C5-FF31-3	SOTA	HPL	2.25 [57]	30.4 [773]
C5-SFS22-TXX	C5-FF22-1, C5-FF22-2, C5-FF22-3	SOTA	THERMOLAMINATE	2.25 [57]	21.9 [557]
C5-SFS27-TXX	C5-FF27-1, C5-FF27-2, C5-FF27-3	SOTA	THERMOLAMINATE	2.25 [57]	26.6 [676]
C5-SFS31-TXX	C5-FF31-1, C5-FF31-2, C5-FF31-3	SOTA	THERMOLAMINATE	2.25 [57]	30.4 [773]
C5-KFS27-VXX	C5-FF27-1, C5-FF27-2, C5-FF27-3	KLASIK	veneer	2.25 [57]	27.2 [691]
C5-KFS31-VXX	C5-FF31-1, C5-FF31-2, C5-FF31-3	KLASIK	veneer	2.25 [57]	31.1 [790]
C5-KFS27-TXX	C5-FF27-1, C5-FF27-2, C5-FF27-3	KLASIK	THERMOLAMINATE	2.25 [57]	27.2 [691]
C5-KFS31-TXX	C5-FF31-1, C5-FF31-2, C5-FF31-3	KLASIK	THERMOLAMINATE	2.25 [57]	31.1 [790]

XX=COLOR DESIGNATION; REFER TO MIDDLEATLANTIC.COM FOR OPTIONS



NOTE(S):
1) ALL DIMENSIONS SHOWN IN FORMAT: INCHES [MILLIMETERS]



WHAT GREAT SYSTEMS ARE BUILT ON™ | LEGRANDAV.COM

USA P 800.266.7225 E av.middleatlantic.support@legrand.com
CANADA P 888.766.9770 E av.middleatlantic.support@legrand.com

©2019 Middle Atlantic Products, Inc. All rights reserved. All other brand names or marks are used for identification purposes and are trademarks of their respective owners. All patents are protected under existing designations. Other patents pending.

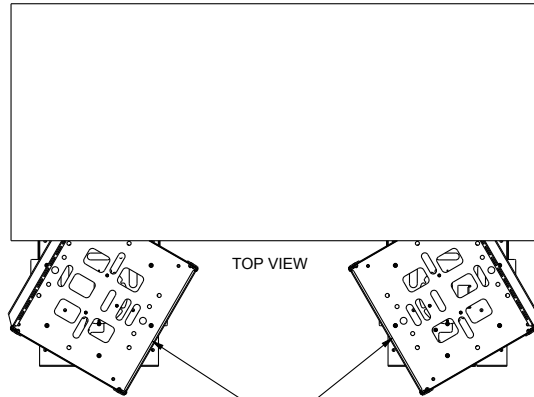


COMMERCIAL BRANDS

C2G | Chief | Da-Lite | Luxul | Middle Atlantic | Vaddio | Wiremold

C5 Series

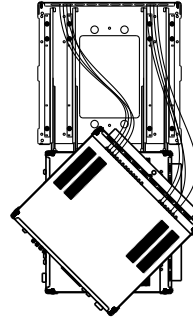
basic dimensions



TOP VIEW

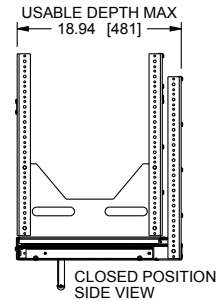
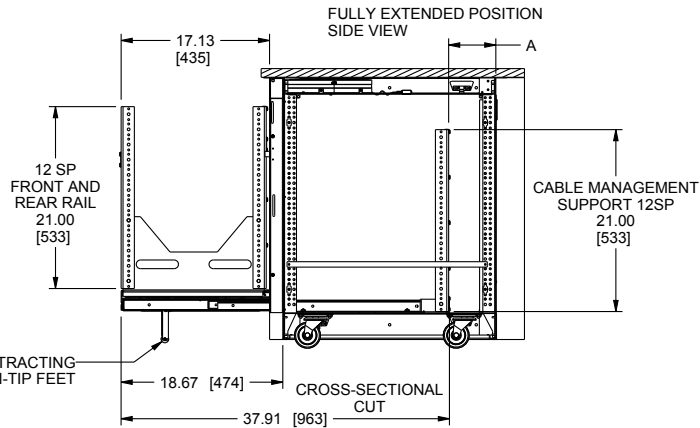
C5D-SRSR12 SHOWN ROTATED 60° IN BOTH DIRECTIONS.

FOR EASY INSTALLATION AND SERVICING
LOCKS IN PLACE 0° AND 60°
TOP VIEW

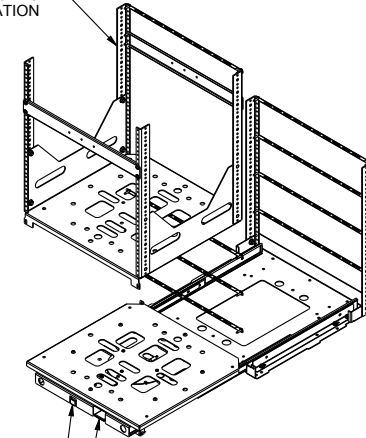


FRAME PART NUMBER	"A" RACK RAIL AND REAR ACCESS PANEL DISTANCE
C5-FF27-3, C5-FF27-2, C5-FF27-1	1.55 [40]
C5-FF31-3, C5-FF31-2, C5-FF31-1	5.41 [138]

IT IS RECOMMENDED THAT THE FRONT DOOR BE REMOVED TO PROVIDE REAR ACCESS WHEN EXTENDING AND ROTATING THE RACK BAY.



RACK REMOVES FOR EASY INTEGRATION



ROTATION LEVER
LOCKOUT LEVER

NOTE(S):
1) ALL DIMENSIONS SHOWN IN FORMAT:
INCHES [MILLIMETERS]
2) C5D-SRSR12 ONLY AVAILABLE FOR 27" AND 31" DEEP MODELS



WHAT GREAT SYSTEMS ARE BUILT ON™ | LEGRANDAV.COM

USA P 800.266.7225 E av.middleatlantic.support@legrand.com
CANADA P 888.766.9770 E av.middleatlantic.support@legrand.com

©2019 Middle Atlantic Products, Inc. All rights reserved. All other brand names or marks are used for identification purposes and are trademarks of their respective owners. All patents are protected under existing designations. Other patents pending.



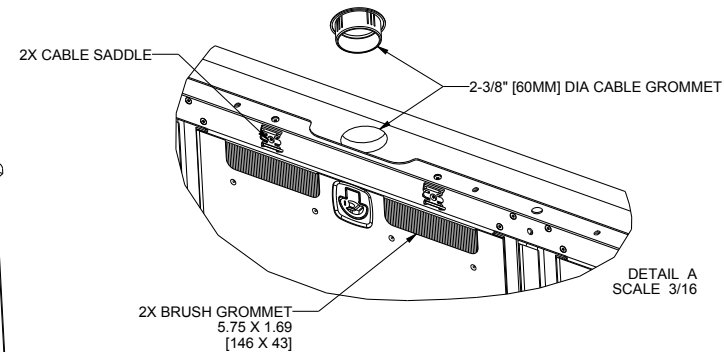
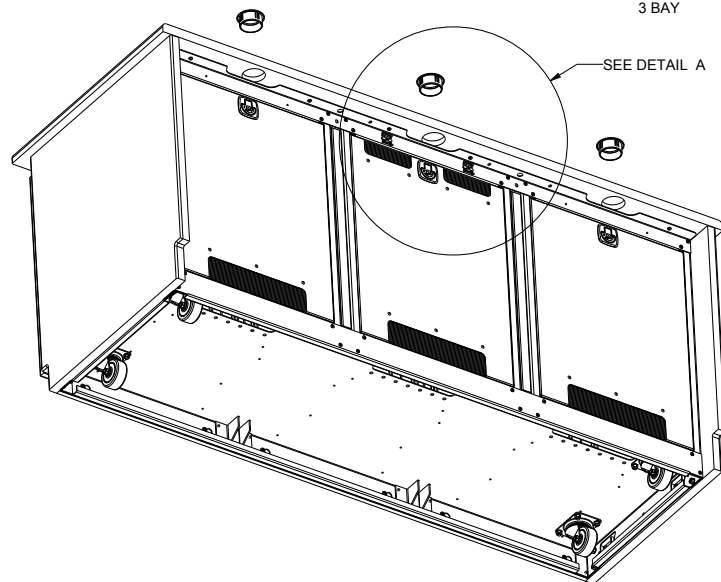
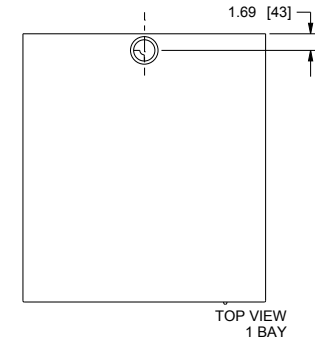
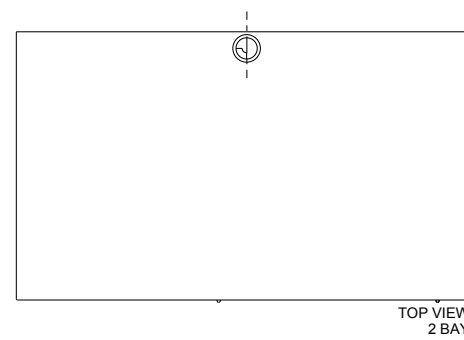
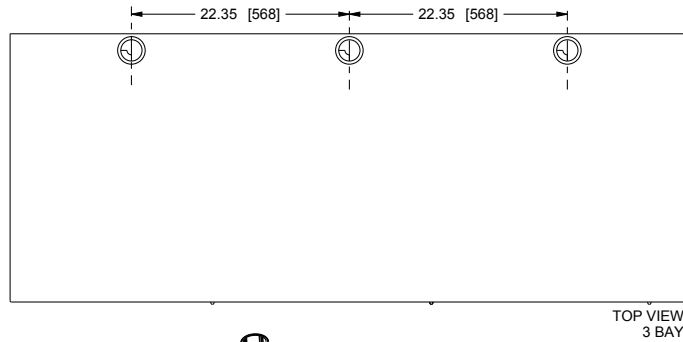
COMMERCIAL BRANDS

C2G | Chief | Da-Lite | Luxul | Middle Atlantic | Vaddio | Wiremold

C5 Series

basic dimensions

PART NUMBER	RESPECTIVE WOOD FINISH
C5-CG-H	HPL
C5-CG-T	THERMOLAMINATE
C5-CG-V	VENEER



NOTE(S):

- 1) ALL DIMENSIONS SHOWN IN FORMAT:
INCHES [MILLIMETERS]
- 2) C5 CABLE GROMMET ONLY AVAILABLE ON 27" AND 31" DEEP MODELS
- 3) WHEN OPTIONAL MONITOR MOUNT IS USED, GROMMET
LOCATIONS ARE ELIMINATED WHERE MONITOR IS PLACED



WHAT GREAT SYSTEMS ARE BUILT ON™ | LEGRANDAV.COM

USA P 800.266.7225 E av.middleatlantic.support@legrand.com
CANADA P 888.766.9770 E av.middleatlantic.support@legrand.com

©2019 Middle Atlantic Products, Inc. All rights reserved. All other brand names or marks are used for identification purposes and are trademarks of their respective owners. All patents are protected under existing designations. Other patents pending.

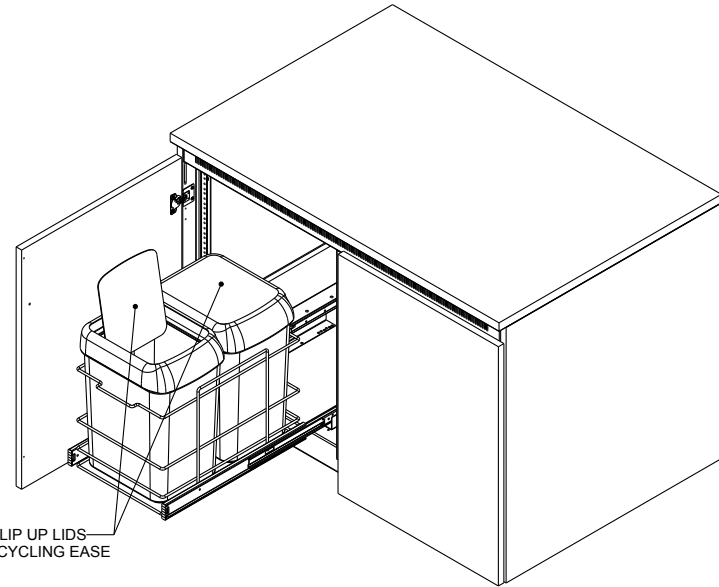
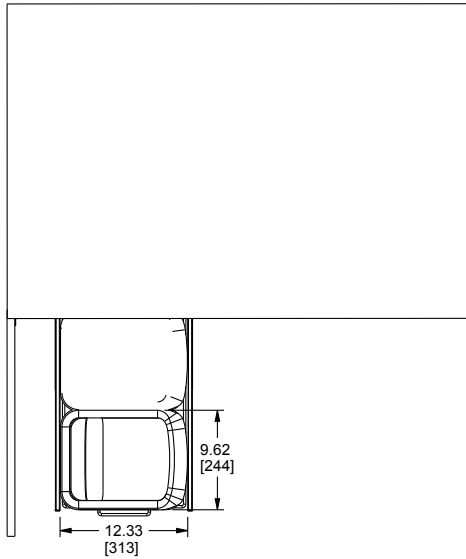


COMMERCIAL BRANDS

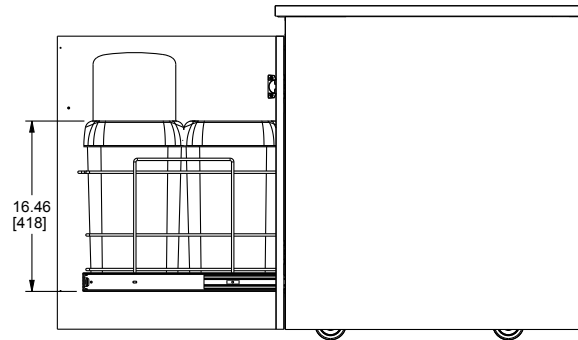
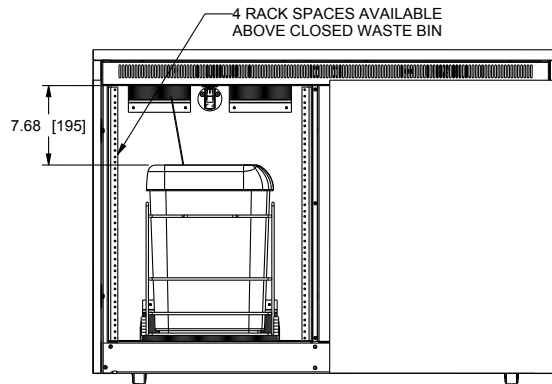
C2G | Chief | Da-Lite | Luxul | Middle Atlantic | Vaddio | Wiremold

C5 Series

basic dimensions



TWO CONTOURED WASTE BINS WITH FLIP UP LIDS—
COLOR CODED BLUE AND TAN FOR RECYCLING EASE
22 LITER CAPACITY EACH



NOTE(S):
1) ALL DIMENSIONS SHOWN IN FORMAT:
INCHES [MILLIMETERS]
2) WASTE BIN ONLY AVAILABLE FOR 27" AND 31" DEEP MODELS



WHAT GREAT SYSTEMS ARE BUILT ON™ | LEGRANDAV.COM

USA P 800.266.7225 E av.middleatlantic.support@legrand.com
CANADA P 888.766.9770 E av.middleatlantic.support@legrand.com

©2019 Middle Atlantic Products, Inc. All rights reserved. All other brand names or marks are used for identification purposes and are trademarks of their respective owners. All patents are protected under existing designations. Other patents pending.



COMMERCIAL BRANDS

C2G | Chief | Da-Lite | Luxul | Middle Atlantic | Vaddio | Wiremold

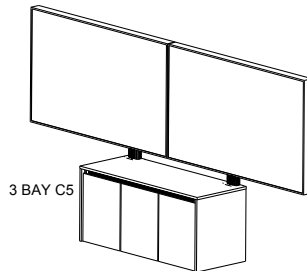
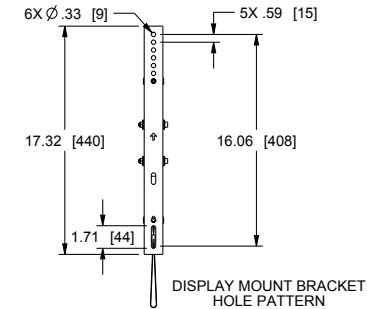
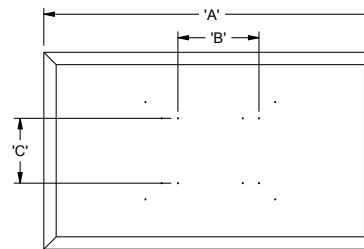
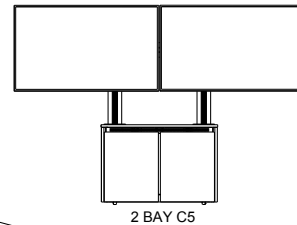
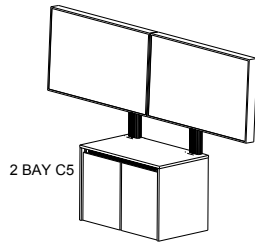
C5 Series: Monitor Mount

basic dimensions

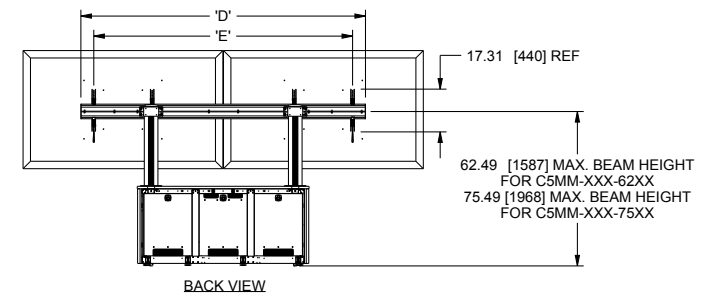
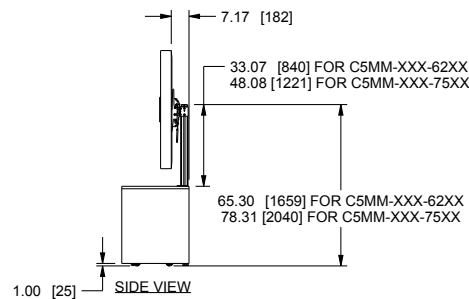
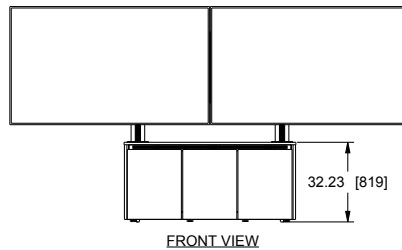
NOTE(S):
 1) ALL DIMENSIONS SHOWN IN FORMAT:
 INCHES [MILLIMETERS]
 2) MONITOR MOUNTS ONLY AVAILABLE
 FOR 27" and 31" DEEP MODELS

MODEL NO.	A DISPLAY WIDTH	B VESA PATTERN ACCOMMODATION	C VESA PATTERN ACCOMMODATION	COMPATIBLE WITH FRAME MODEL NO.
C5MM-90S-62XX C5MM-90S-75XX	90 [2286] AND UNDER	75 TO 800	200 TO 400	C5-FF27-2 C5-FF31-2
C5MM-63D-62XX C5MM-63D-75XX	63 [1600] AND UNDER	75 TO 600	200 TO 400	C5-FF27-3 C5-FF31-3
C5MM-90D-62XX C5MM-90D-75XX	90 [2286] AND UNDER	75 TO 800	200 TO 400	C5-FF27-3 C5-FF31-3

XX= AL (ALUMINUM FINISH) OR
 XX= BK (BLACK ANODIZED FINISH)



MODEL NO.	SINGLE OR DUAL DISPLAYS	DISPLAY SIZE	2 BAY MAX WEIGHT CAPACITY LB [KG]	3 BAY MAX WEIGHT CAPACITY LB [KG]	MIN WEIGHT IN C5 BASE	D HORIZONTAL BEAM LENGTH	E MAX DISTANCE OUTER VERTICALS
C5MM-90S-62XX C5MM-90S-75XX	SINGLE	42 [1067] TO 90 [2286]	400 [181] 250 [113]	400 [181] 350 [159]	25 [11] 25 [11]	45.55 [1157]	31.50 [800]
C5MM-63D-62XX C5MM-63D-75XX	DUAL	50 [1270] TO 63 [1600]	400 [181] 250 [113]	400 [181] 350 [159]	25 [11] 25 [11]	94.20 [2393]	93.0 [2362]
C5MM-90D-62XX C5MM-90D-75XX	DUAL	64 [1625] TO 90 [2286]	N/A N/A	400 [181] 350 [159]	25 [11] 25 [11]	115.20 [2926]	113.81 [2891]



WHAT GREAT SYSTEMS ARE BUILT ON™ | LEGRANDAV.COM

USA P 800.266.7225 E av.middleatlantic.support@legrand.com
 CANADA P 888.766.9770 E av.middleatlantic.support@legrand.com

©2019 Middle Atlantic Products, Inc. All rights reserved. All other brand names or marks are used for identification purposes and are trademarks of their respective owners. All patents are protected under existing designations. Other patents pending.



COMMERCIAL BRANDS

C2G | Chief | Da-Lite | Luxul | Middle Atlantic | Vaddio | Wiremold

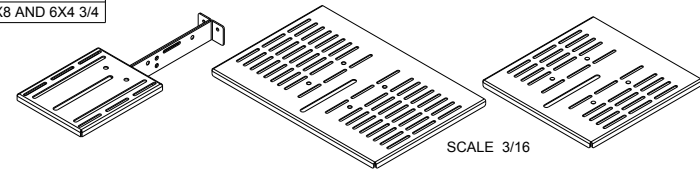
C5 Series: Monitor Mount

basic dimensions

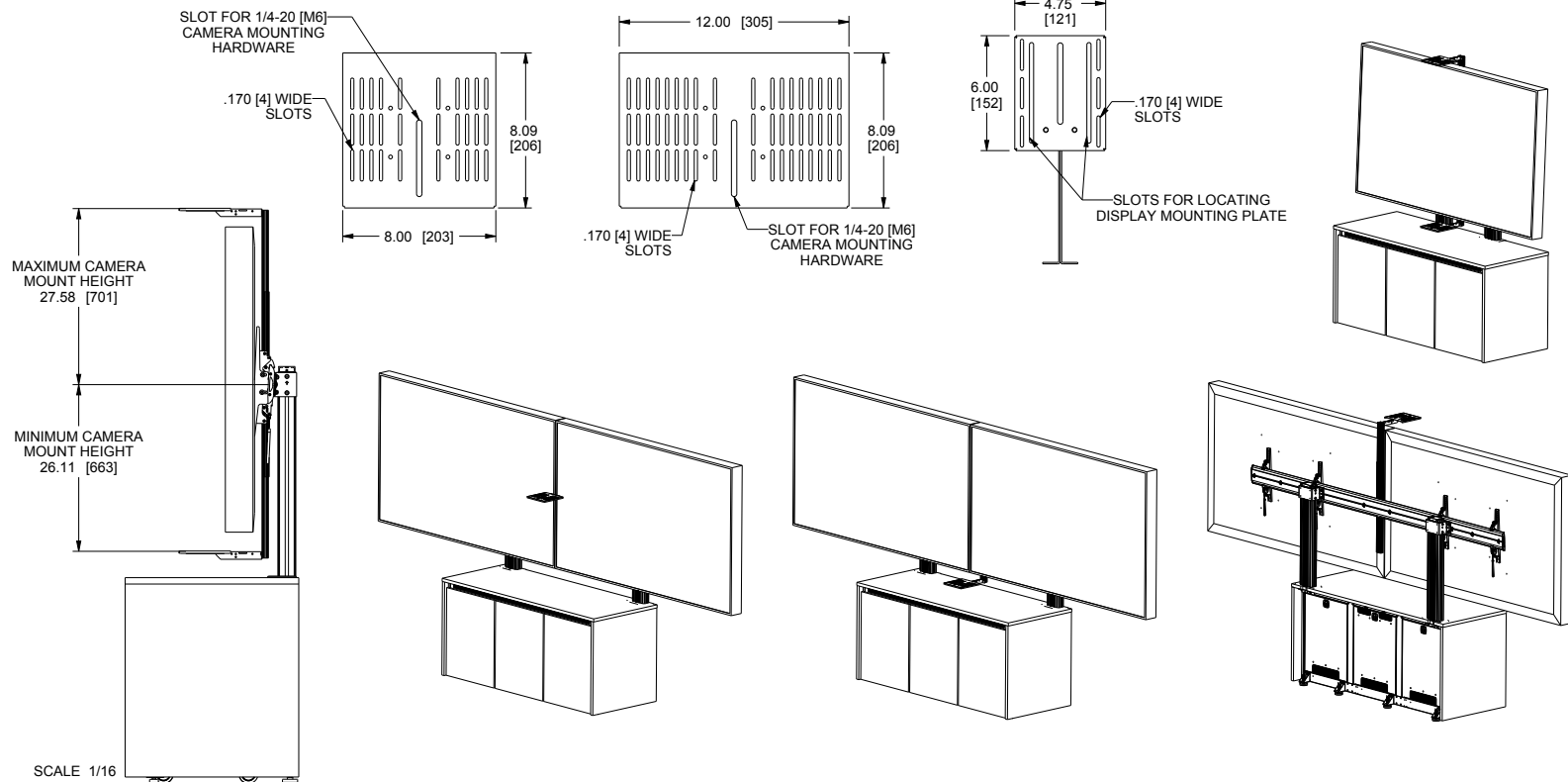
NOTE(S):

- 1) ALL DIMENSIONS SHOWN IN FORMAT: INCHES [MILLIMETERS]
- 2) DISPLAY MOUNT BRACKET LOCATIONS ARE BASED UPON LOCATION OF THE VESA MOUNTING HOLES ON EACH SPECIFIC DISPLAY
- 3) CAN BE MOUNTED IN ANY LOCATION HORIZONTALLY ABOVE OR BELOW DISPLAY, WITH THE EXCEPTION OF WHERE DISPLAY MOUNT BRACKETS AND POSTS ARE LOCATED
- 4) CAN BE MOUNTED IN ANY LOCATION BETWEEN TWO DISPLAYS
- 5) C5CM-128 ONLY AVAILABLE FOR 27" AND 31" DEEP MODELS

MODEL#	MOUNTING LOCATION	PLATFORM SIZE
C5CM-128	MIDDLE, TOP OR BOTTOM	12X8, 8X8 AND 6X4 3/4



DISPLAY MOUNTING PLATES INCLUDED WITH C5CM-128
SCALE 3/16



WHAT GREAT SYSTEMS ARE BUILT ON™ | LEGRANDAV.COM

USA P 800.266.7225 E av.middleatlantic.support@legrand.com
 CANADA P 888.766.9770 E av.middleatlantic.support@legrand.com

©2019 Middle Atlantic Products, Inc. All rights reserved. All other brand names or marks are used for identification purposes and are trademarks of their respective owners. All patents are protected under existing designations. Other patents pending.



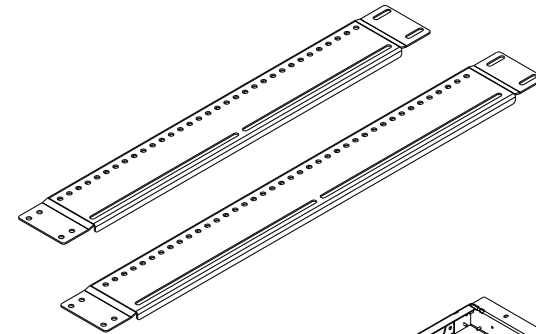
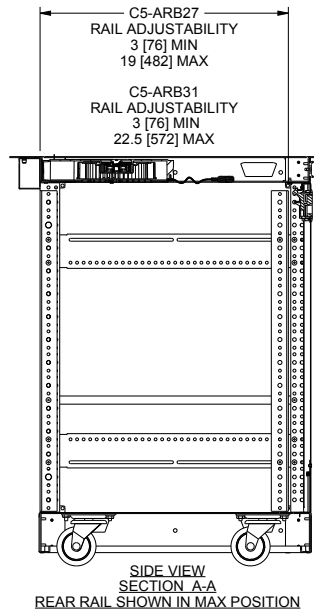
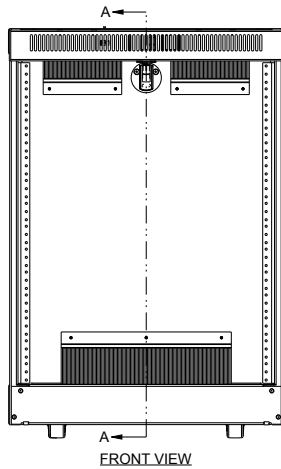
COMMERCIAL BRANDS

C2G | Chief | Da-Lite | Luxul | Middle Atlantic | Vaddio | Wiremold

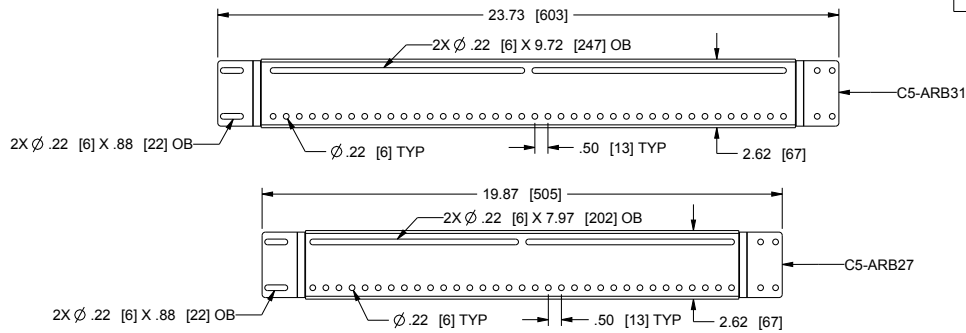
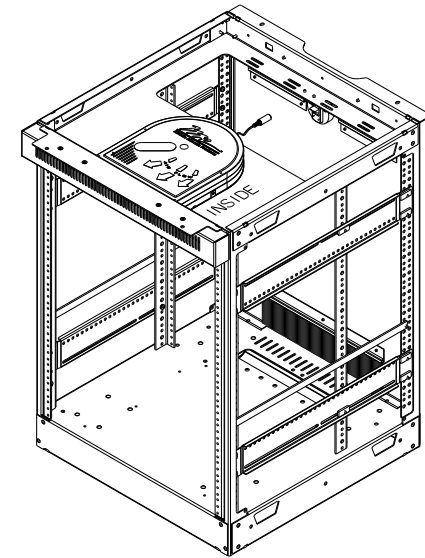
C5 Series: Adjustable Rail Bracket

basic dimensions

NOTE(S):
 1) ALL DIMENSIONS SHOWN IN FORMAT:
 INCHES [MILLIMETERS]
 2) ADJUSTABLE RAIL BRACKET ONLY AVAILABLE
 FOR 27" AND 31" DEEP MODELS



PART NUMBER	COMPATIBLE WITH
C5-ARB27	C5-FF27-1 C5-FF27-2 C5-FF27-3
C5-ARB31	C5-FF31-1 C5-FF31-2 C5-FF31-3



WHAT GREAT SYSTEMS ARE BUILT ON™ | LEGRANDAV.COM

USA P 800.266.7225 E av.middleatlantic.support@legrand.com
 CANADA P 888.766.9770 E av.middleatlantic.support@legrand.com

©2019 Middle Atlantic Products, Inc. All rights reserved. All other brand names or marks are used for identification purposes and are trademarks of their respective owners. All patents are protected under existing designations. Other patents pending.



AV

COMMERCIAL BRANDS

C2G | Chief | Da-Lite | Luxul | Middle Atlantic | Vaddio | Wiremold