



Middle Atlantic Products

EXCEPTIONAL SUPPORT & PROTECTION™

VLBX Series



VLBX Series Time-Lapse Lockboxes provide security for time lapse video recorders

Features

- Fully welded 16-gauge steel
- Interlocking top for added security
- Standard 4-1/2" fan with washable filter
- Standard keylocked solid hinging front door



VLBX - 5.5

Architects' and Engineers' Specifications

EIA compliant 19" time-lapse lockbox shall be Middle Atlantic Products model #VLBX-__ (refer to chart). Overall dimensions shall be __"W x __" H x __" D (refer to chart). Lockbox shall be constructed of fully welded 16-gauge steel. Mechanically interlocking top provides added security and removes easily for equipment servicing. Shall come with factory installed 4-1/2" fan with washable filter for effective thermal management and keylocked solid hinging front door for easy equipment access. VLBX shall be GREENGUARD Indoor Air Quality Certified for Children and Schools. VLBX enclosure shall be manufactured by an ISO 9001 and ISO 14001 registered company. VLBX enclosure shall be warranted to be free from defects in material and workmanship under normal use and conditions for the lifetime of the product. Fan shall be warranted for three years.

OPTIONS

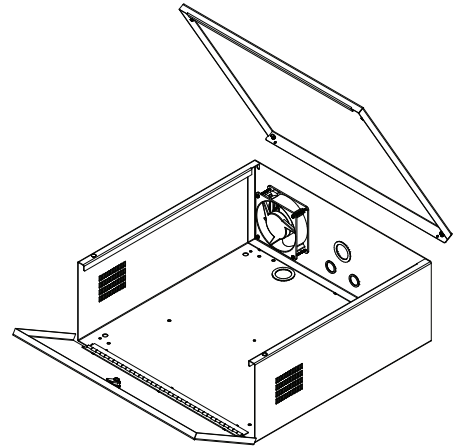
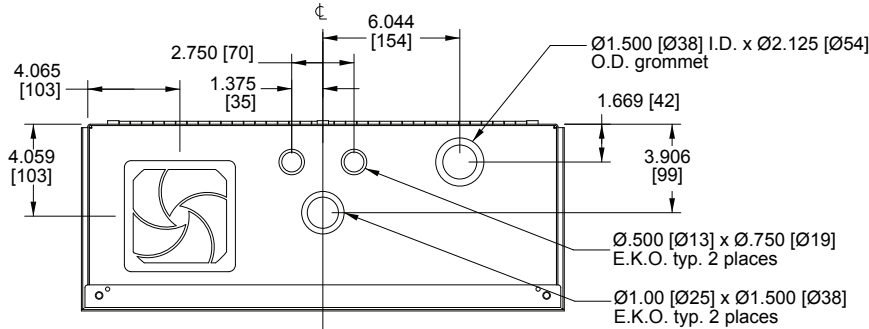
- Pair of wall mount brackets for VLBX shall be Middle Atlantic Products model #VLBX-WM (does not fit VLBX-5.5)

CUSTOMIZABLE SPECIFICATION CLIPS AVAILABLE AT MIDDLEATLANTIC.COM

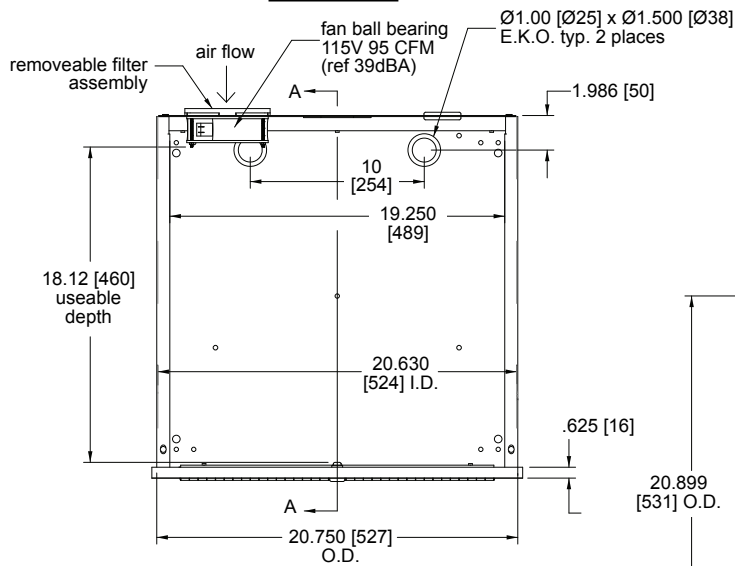
VLBX Series basic dimensions

All dimensions in inches unless otherwise noted [All bracketed dimensions are in millimeters]

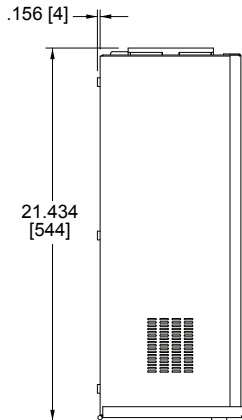
BACK VIEW



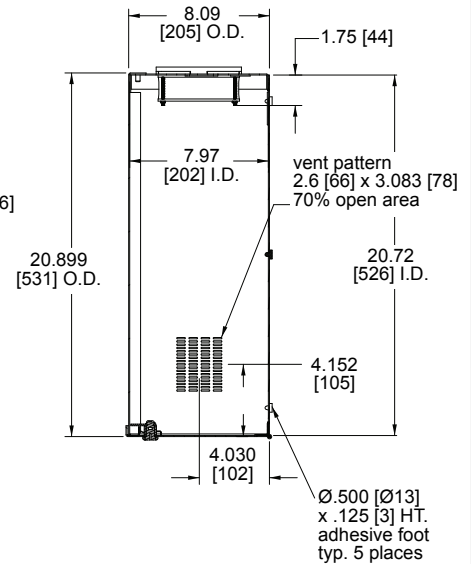
TOP VIEW



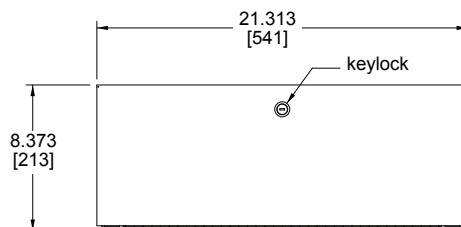
RIGHT VIEW



SIDE VIEW



FRONT VIEW

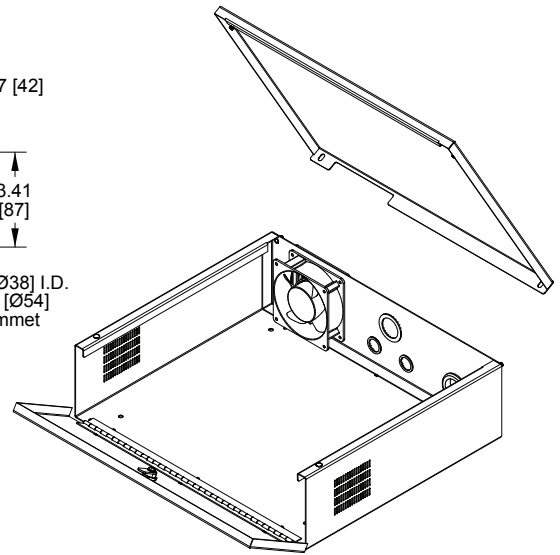
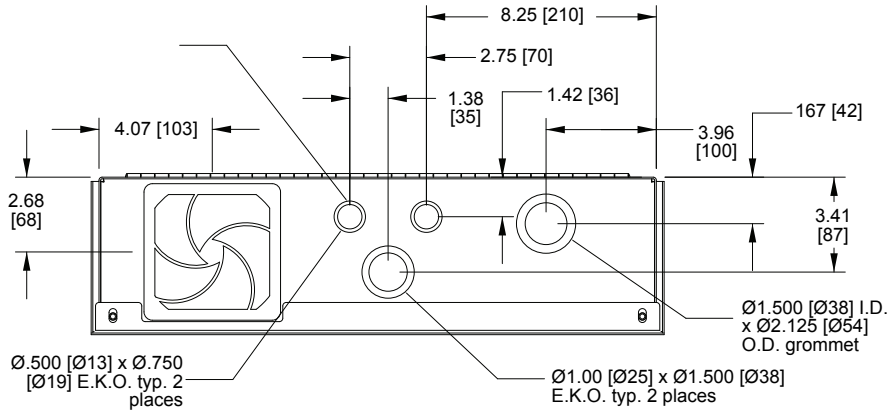


PART #	INSIDE DIMENSION	OUTSIDE DIMENSION
VLBX	20-5/8" W x 8" H x 20-1/4" D	20-3/4" W x 8-1/8" H x 20-7/8" D
VLBX-5.5	19-7/8" W x 5-3/8" H x 17" D	20" W x 5-1/2" H x 17-1/4" D

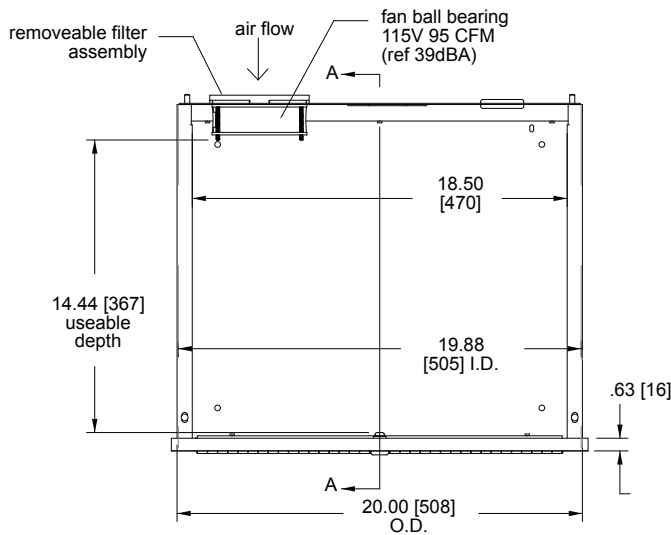
VLBX-5.5 Series basic dimensions

All dimensions in inches unless otherwise noted [All bracketed dimensions are in millimeters]

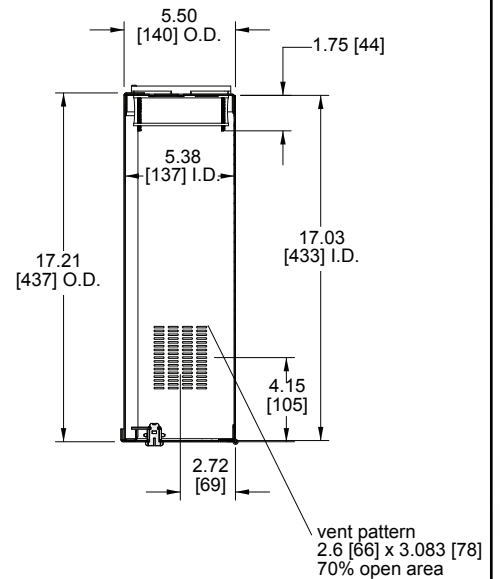
BACK VIEW



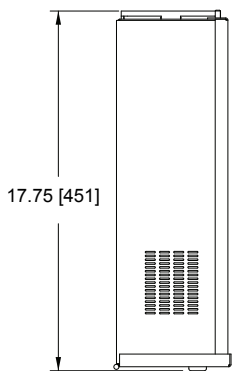
TOP VIEW



SIDE VIEW



RIGHT VIEW



FRONT VIEW

