

NEW!
more on
reverse

Dryer Vent Mounting Block Kit

● *For New Construction • All Siding Types*



Arlington's one-piece, non-metallic dryer vent mounting block kit provides the secure, attractive – and time-saving way to install dryer vents on new siding.

Our 8 x 8 inch dryer vent mounting block kit comes complete with a low profile, louver-type hood, a snap-together 4" aluminum tube and a siding block with a built-in j-channel. It fits all siding types: 1/2" and 5/8" step, and dutch lap.

UV rated, and weather-resistant for long outdoor life, they are also paintable to match any color scheme.

- Clean, attractive installation – overhang covers cut ends of siding
- Smooth vertical mounting of dryer vents any siding type
- For new siding construction
- Easy installation
- Colors: Paintable White
- Pre-mounted vent: 4" x 10-1/2" tube dimension

Catalog Number	UPC/DEI/NAED Mfg. #018997	Description Dryer Vent Mounting Block	Siding Type	Unit Pkg	Std Pkg
DV1	43607	8" x 8" vented plastic block Mounts before siding	All	1	10

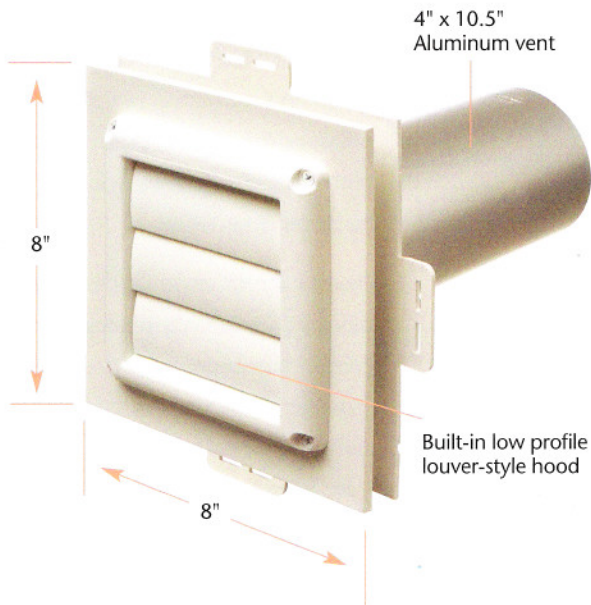
Patent pending

Arlington

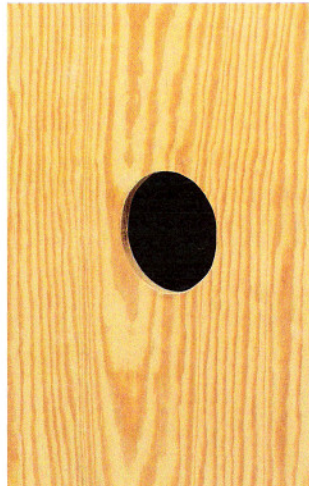
1 Stauffer Industrial Park
Scranton, PA 18517
800/233.4717
Fax 570/562.0646
www.aifittings.com

Dryer Vent Mounting Block Kit

The neat way to install a dryer vent on siding



Installation BEFORE siding



1 Cut hole in substrate with a 4-1/2" hole saw.



2 Insert vent tube into opening.



3 Use screws to mount dryer vent to substrate through flanges.



4 Install siding. Overhang on vent flange hides cut ends of siding.



5 DV1 Dryer Vent Mounting Block. The finished installation looks great.

Arlington

1 Stauffer Industrial Park
Scranton, PA 18517
800/233.4717
Fax 570/562.0646
www.aifittings.com

Arlington manufactures a complete line of boxes, kits and blocks for siding

Distributed by

Patented. DVI 1206/30M

