

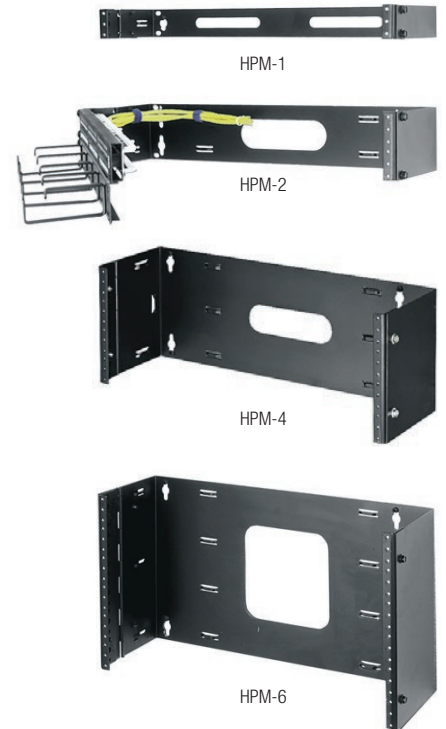
# HPM Series

hinged panel mounts

hinged to provide rear access to patch panels

features:

- Simple and straightforward wall-mounting of rackmount equipment
- Hinged to provide rear access
- Universal keyhole mounting for left or right swing
- Built-in cable lacing points
- 10-32 rack screws included
- Can be rackmounted to any 19" open frame rack
- Optional lid protects equipment from dust
- Durable black powder coat finish



specifications:

EIA/TIA 19" compliant hinged panel mount shall be Middle Atlantic Products HPM-x (x = # of rackspace). HPM shall be constructed of the following materials: rack and continuous hinge shall be 16-gauge steel, rackrail shall be 11-gauge steel, with tapped 10-32 holes in universal EIA spacing. HPM shall be capable of being mounted to any 19" open frame rack. HPM shall be finished in a durable black powder coat. HPM shall be GREENGUARD Gold Certified. HPM shall be manufactured by an ISO 9001 and ISO 14001 registered company. HPM shall be warranted to be free from defects in material or workmanship under normal use and conditions for the lifetime of the product.

Customizable specification clips available at [middleatlantic.com](http://middleatlantic.com)

EIA/TIA COMPLIANT



PRODUCT CERTIFIED FOR  
LOW CHEMICAL EMISSIONS  
UL.COM/GG  
UL 2818



what **great systems** are built on.™

A Group brand | **legrand**

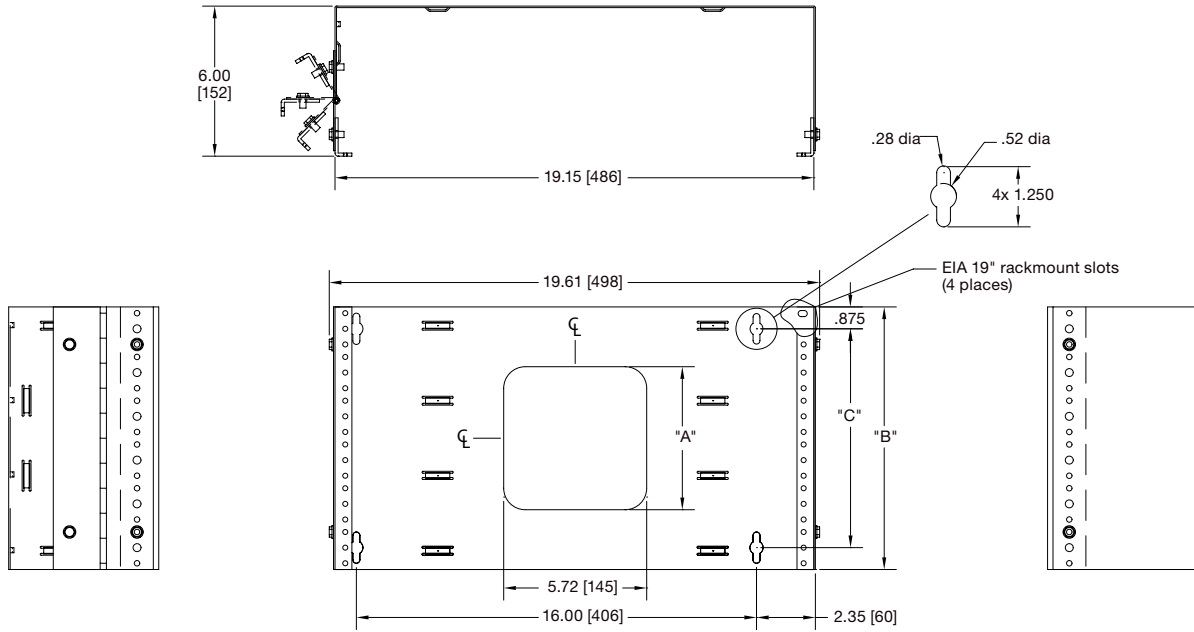
  
**Middle Atlantic Products**  
[middleatlantic.com](http://middleatlantic.com) | [middleatlantic.ca](http://middleatlantic.ca)

96-212 / rev d / 5-11-20

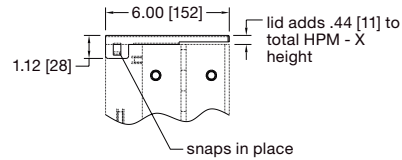
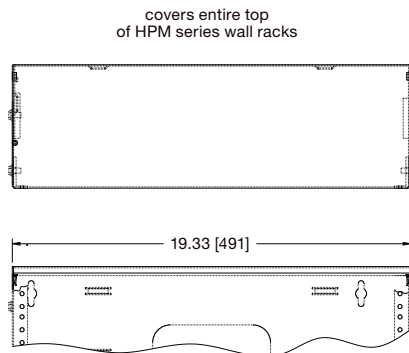
# HPM

## basic dimensions

all dimensions in inches unless otherwise noted [all dimensions in brackets are in millimeters]



Part #	"A" Knockout Height	"B" Racking Height Rackspaces	"C" Mounting Hole Spacing
HPM-1	.6 [15] (2qty)	1.75 [44] / 1 space	-
HPM-2	1.72 [44]	3.50 [89] / 2 space	1.75 [44]
HPM-4	1.72 [44]	7.00 [178] / 4 space	5.25 [133]
HPM-6	5.72 [145]	10.50 [267] / 6 space	8.75 [222]



top dust cover/modern shelf available  
part# HPM-LID

what great systems are built on.™

A Group brand | **legrand**

**Middle Atlantic Products**  
middleatlantic.com | middleatlantic.ca