

Stainless Steel Wall Mount Phone Plates

Features

- Studs Accommodate Any Standard Wall Phone
- Comes With Keystone Jack
- Manufactured From Type 430 Stainless Steel, Brush Finish

Ordering Information

Description	Color	Catalog No.	UPC
iStation Stainless Steel Wall Mount Phone Plate, Single Gang, Flush Jack	Gray	SPUF	662620553825

Listings

UL and cUL Listed 1863
RoHS Compliant

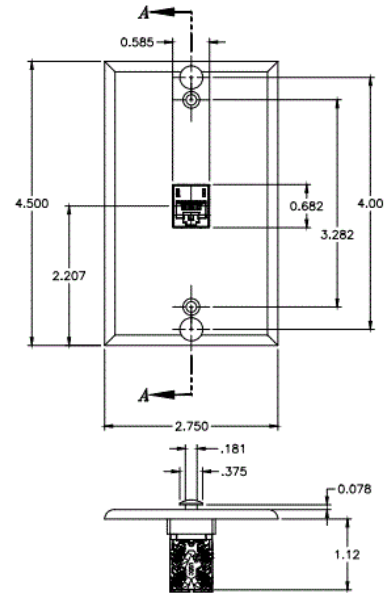
Specifications

Nose Contact	Beryllium copper with precious metal plating with nickel under-plating
IDC Contact	Phosphor bronze with 100 micro-inch tin lead 60/40 plating over nickel under plating

Performance

Mechanical

Nose Contact Mating Cycles: 2000
IDC Contact Termination: 10x
Keystone Latching Force: 25 lbs.



Accessories

1-Punch Tool	TX4P
Termination Puck	HXTP25

Online Resources

[eCatalog](#)