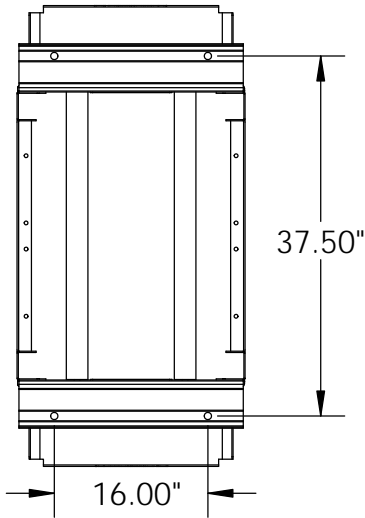
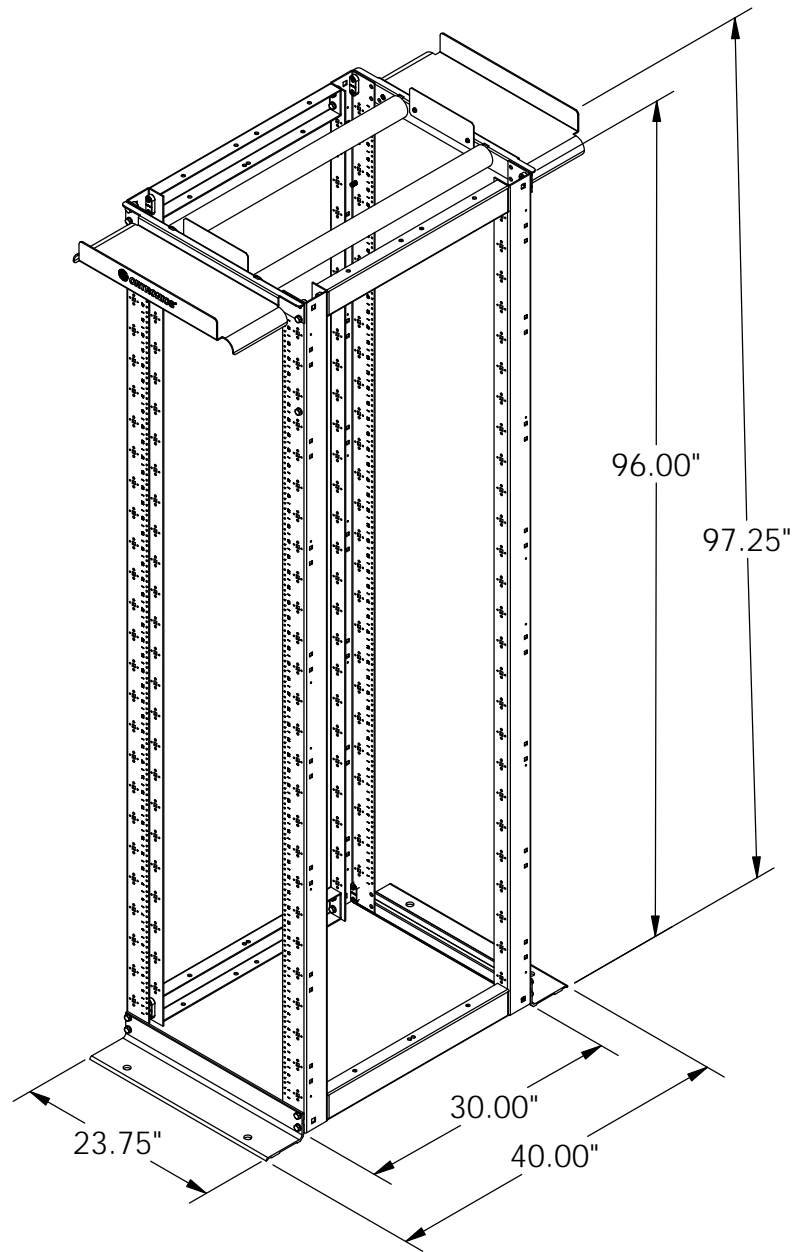
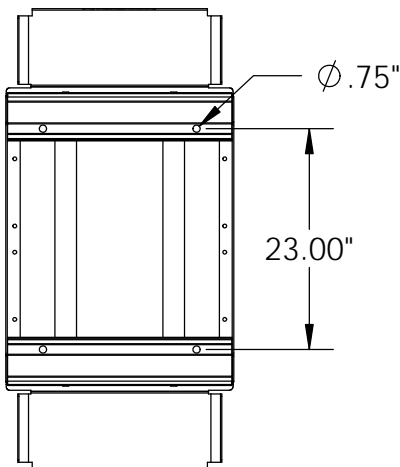


MOUNTING HOLE LOCATIONS

BASE ANGLES FACING OUTWARD



BASE ANGLES FACING INWARD



TESTED TO UL2416 WITH A WEIGHT LOAD OF 2000 LBS.

PART NUMBER DESIGNATIONS

| PART NUMBER | "X" DENOTES FINISH |
|-------------------|--------------------|
| OR-MM20830FXD12-B | BLACK |
| OR-MM20830FXD12-W | WHITE |

*** NOTICE ***
 THIS DOCUMENT CONTAINS CONFIDENTIAL AND/OR PROPRIETARY INFORMATION INTENDED FOR USE ONLY BY THE INDIVIDUAL(S) PROVIDED. NEITHER THIS DOCUMENT, NOR ANY INFORMATION CONTAINED HEREIN, MAY BE COPIED, DISTRIBUTED, DISCLOSED TO ANY THIRD PARTY OR USED IN ANY MANNER OTHER THAN FOR WHICH IT HAS BEEN PROVIDED, WITHOUT THE PRIOR WRITTEN CONSENT OF ORTRONICS, INC. MANUFACTURING RELEASE, PRODUCT SPECIFICATIONS AND STANDARDS ARE SUBJECT TO CHANGE WITHOUT NOTICE.



ORTRONICS®

125 EUGENE O'NEILL DRIVE
 NEW LONDON, CT 06320
 TEL: 860-445-3800
 FAX: 860-405-2990
 WWW.ORTRONICS.COM

TITLE
 MM20, 4POST 30" FIXED RACK, 8FT, 12-24 TAPPED

| | NAME | DATE | SIZE | CAD FILE | DWG NO | REV |
|------|------|-----------|-------|----------------|-------------------|--------|
| DWN | CV | 4/24/2014 | A | MM20830FXD12XC | OR-MM20830FXD12-X | 00 |
| CHK | CAC | 4/24/2014 | SCALE | 1:24 | SHEET | 1 OF 1 |
| APPR | CV | 4/24/2014 | | | | |