

Grounding & Bonding Terminal Lay-In Lug

HUBBELL

Features

- Lay in lug provide an easy to install bonding device for grounding conductors

Ordering Information

Qty	Mount	Catalog Number	UPC Number
100	Perpendicular to Conductor	HGBBGBL4	662620305486

Listings

UL
TIA-607 Compliant

Specifications

Material	Aluminum
Finish	Tin Plated

Characteristics

Installation

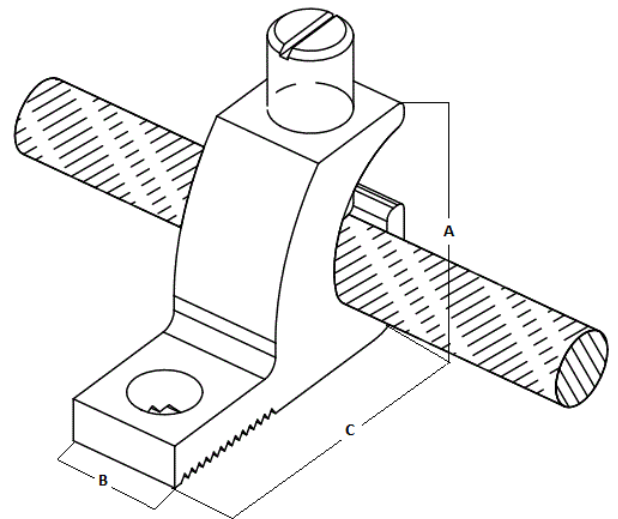
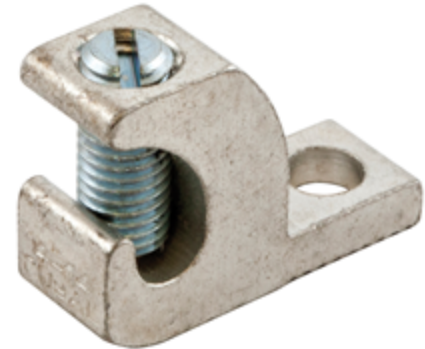
Max Wire AWG	#4
Min Wire AWG	#14

Accessories

12' Conductor	HGRKTD144D
20' Conductor	HGRKTX240D
30' Conductor	HGRKTX360D
Ladder Bracket	HGBTEBCBRKL10
Wire Tray Bracket	HGBTEBCBRKW10

Online Resources

Brochure
Customer Drawing
Customer Use Drawing
eCatalog



Dimensions- inches (mm)

A	0.8" (20)
B	0.4" (10)
C	1.1" (28)