

# Grounding & Bonding Compression Device Compression Lug

# HUBBELL

## Features

- Long barrel compression lugs are the best solution for building a low-resistance bond
- HPW lugs are die index traceable when using a properly sized die for compression
- Lugs are tin plated and have an inspection window to ensure that the conductor is fully inserted

## Ordering Information

Gauge	Mounting	Catalog Number	UPC Number
#6	3/8" ID, 1" Spaced	HGBL06DB90	662620310787

## Listings

UL  
TIA-607 Compliant

## Specifications

Material	Copper
Surface Finish	Tin Plated
Barrel	Long
Inspection Window	Yes

## Characteristics

### Voltage Rating

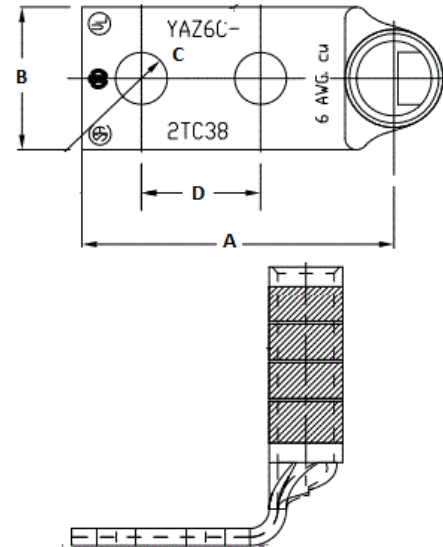
600V to 35 kV	Die Index
7	UL Listed

## Accessories

Die	HU5CRT
Die	HW5CRT
6 Ton Power Tool	HPAT600LI
12 Ton Power Tool	HPAT750LI
12' Conductor	HGRKTDA144D

## Online Resources

Brochure  
Customer Use Drawing  
eCatalog



## Dimensions- inches (mm)

A	2.1" (53)
B	0.6" (15)
C	0.4" (10)
D	1" (25)

