

Table Boxes bring technology to the point-of-use

Table Boxes bring technology into the user's work area. Routing of power, communications and A/V connectivity to the work surface needs to be unobtrusive with maximum accessibility and flexibility. Our wide range of table box solutions offer the flexibility to meet the connectivity and power configurations requirements needed to run business smoothly, while enhancing the overall room appearance. From desks to lab benches, table boxes make technology easily accessible to the user.



A TableSource Table Box installed in a typical work surface application.






FEATURES & BENEFITS

- **Range of solutions.** Table Boxes allow you to access services on, above or below the work surface with cord-ended or field-wired options. Standard off-the-shelf, field configurable or custom configurations are available to meet any work area need.
- **Variety of applications.** Office workstations, conference rooms, even home offices can increase productivity by bringing access to connections up to the work surface.
- **Safety.** Wiremold Table Boxes meet U.S. and Canadian safety standards.
- **Aesthetics.** Elegant yet functional access to services includes cover style and color options to meet room décor. Built-in cable management with easy to install and replaceable retractors for communications and USB cables keeps the work surface clear.
- **Ease of installation.** From placing a cord-ended unit in an existing desk grommet, clamping on the edge of a table, or using the supplied template to create the cut out, Wiremold Table Boxes are made easy to install so you can get back to business.



Clockwise from the left: deQuorum™ Flip-Up Table Box, TableSource™ Table Box, Desktop Power Center and Desk Module.

Table Boxes Quick Selection Guide

TABLE BOX MODEL	SVC. LOCATION @ TABLE	CORD LENGTH	FIELD WIRED OPTION	COVER COLOR/MATERIAL	ELECTRICAL OUTLETS	USB POWER RATING	DATA OPENINGS
TableSource Table Boxes (Standard Model) 	Above	6'	Yes	Clear Anodized Aluminum	(1) 15A Duplex, USB	2.4A	2 Openings with Adapters for Ortronics® Series II, TracJack or Wiremold Open System devices
TableSource Table Boxes (Configurable Model) 	Above	2'-12'	Yes	Clear Anodized Aluminum	(1-4) 15A Duplexes Gasketed, USB	2.4A	1-4 Openings with Adapters for Ortronics® Series II, TracJack or Wiremold Open System devices
deQuorum Flip Up Table Boxes 	Flush	6'	Yes	Black, Stainless	(1) 15A or 20A Duplex, (1) USB Duplex Receptacle	3.1A	Adapters for Ortronics® Series II, TracJack or Wiremold Open System devices
Desktop Power Center 	Above	6'	No	Black with Magnesium Side Panels	(3) 15A Outlets with (2) USB Charging Outlets	2.1A	N/A
Desk Module 	Flush	12'	No	Brushed Silver with Black Covers	(1) 15A Duplex	0.7A	RJ45 (Retractor available)

* Extron® Electronics MAAP modules are sold separately.

TableSource™ Table Boxes

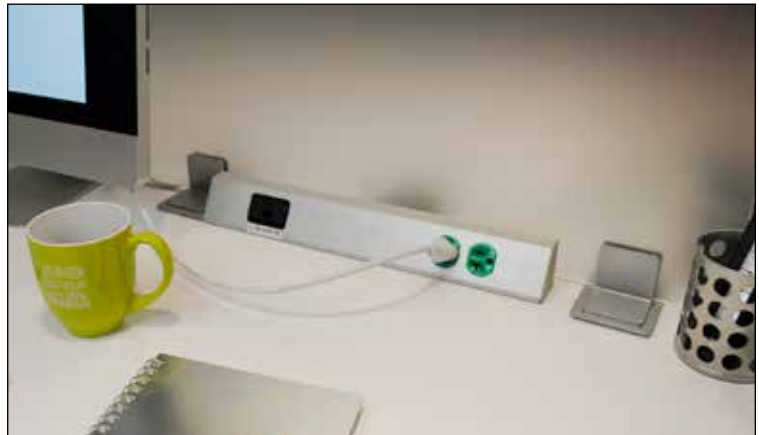
TableSource™ Table Boxes provide effortless work surface accessibility for power and communication. They are offered in a range of standard or custom configured product. TableSource Table Boxes can be easily added to any work area and require minimal, adaptable installation.

CODE REFERENCE

cULus Listed Relocatable Power Tap:
File E66421 Guide XBY5

cULus Listed Multioutlet Assembly:
File E15191 Guide PVGT

Listed to US & Canadian Safety Standards
Meets Article 380 of NEC



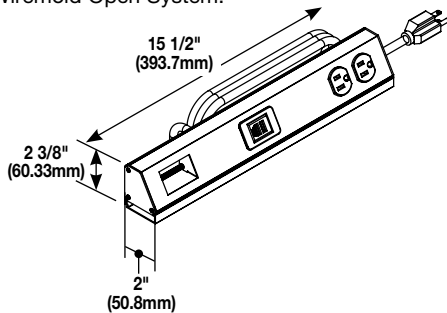
TableSource™ Table Boxes provide flexibility in décor, datacom connectivity options, and installation to meet specific functional and aesthetic needs.

TABLESOURCE TABLE BOXES COLOR OPTIONS

Standard TableSource Table Boxes are available in a clear anodized aluminum finish. Other finishes are available for configurable units. Consult the configurator located on the next page.

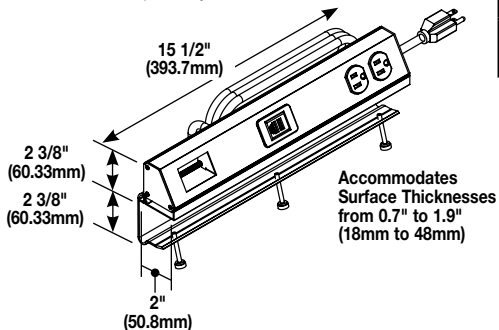
TableSource Table Boxes Ordering Information

TableSource Activations in this chart are packaged with a mounting clip that attaches to the work surface and a hardware bag of adapters that allows the communication openings to accept either Ortronics Series II, TracJack or Wiremold Open System.



CATALOG NUMBER	FINISH	UNIT LENGTH		15A DUPLEX	CORD LENGTH		COMM. OPENINGS
		INCHES	(MM)		FEET	(MM)	
TSAX1F0AL1U	Clear Anodized	13"	(330.2mm)	1	6'	(1.83m)	0
TSAX1F1AL1U	Clear Anodized	15 1/2"	(393.7mm)	1	6'	(1.83m)	1
TSAX1F2AL1U	Clear Anodized	18 5/32"	(461.2mm)	1	6'	(1.83m)	2

TableSource Activations in this chart are packaged with a mounting clip that attaches to the work surface and a hardware bag of adapters that allows the communication openings to accept either Ortronics Series II, TracJack or Wiremold Open System.



CATALOG NUMBER	FINISH	UNIT LENGTH		15A DUPLEX	CORD LENGTH		COMM. OPENINGS
		INCHES	[MM]		FEET	[MM]	
TSAM1F0AL1U	Clear Anodized	13"	(330.2mm)	1	6'	(1.83m)	0
TSAM1F1AL1U	Clear Anodized	15 1/2"	(393.7mm)	1	6'	(1.83m)	1
TSAM1F2AL1U	Clear Anodized	18 3/32"	(461.2mm)	1	6'	(1.83m)	2

TableSource™ Table Boxes Configurator

Design a Cord-Ended TableSource Table Box

Sample Part: **TSAM2H1IV2U**

IMPORTANT

Use this chart to configure your own custom TableSource activation. Many of the configurations are standard offerings, and can be quoted and delivered to you quickly with the help of our Wiremold Customs group. Just call in with your TableSource part number, and they will be able to supply you with a quote, technical specifications and a CAD Drawing.

1. Select face for mounting device. Input letter.

2. Do you want optional mounting bracket for backplash application?

3. Number of duplexes (from 1-4). Input number.

4. Choose a length and input the corresponding letter for that length.

Length Feet [metric]	Code Letter
2 [0.6m]	B
3 [0.9m]	C
4 [1.2m]	D
5 [1.5m]	E
6 [1.8m]	F
7 [2.1m]	G
8 [2.4m]	H
9 [2.7m]	I
10 [3.0m]	J
11 [3.4m]	K
12 [3.7m]	L

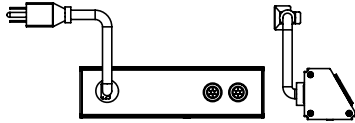
5. Choose number of communication adapters (from 1-4). Input number.

6. Choose color of activation and devices. Input two-letter color code.

7. Choose number of USB modules. Input a number followed by "U". #U = Number of USB Modules

NOTE: Cord color is black.

Data Cables egress out the back (the side opposite the devices).



NOTE: Wiremold Open System, Ortronics Series II and TracJack modules provided with all assemblies.

Design a Hard-Wired TableSource Table Box

Sample Part: **TSAP2Z1BK2UG**

IMPORTANT

Use this chart to configure your own custom TableSource activation. Many of the configurations are standard offerings, and can be quoted and delivered to you quickly with the help of our Wiremold Customs group. Just call in with your TableSource part number, and they will be able to supply you with a quote, technical specifications and a CAD Drawing.

1. Select face for mounting device. Input letter.

2. Mounting styles

3. Number of duplexes (from 1-4). Input number.

4. Choose face for 6' [1.8m], three-wire whip to exit.

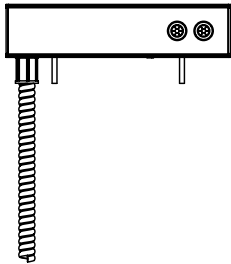
5. Choose number of communication adapters (from 1-4). Input number.

6. Choose color of activation and devices. Input two-letter color code.

7. Choose number of USB modules. Input a number followed by "U". #U = Number of USB Modules

8. Choose if Deadfront GFCI Protection is needed. If not, leave blank. **G** = Dead Front GFCI Module

Data Cables egress out the back (the side opposite the devices).



NOTE: Wiremold Open System, Ortronics Series II and TracJack modules provided with all assemblies.

deQuorum™ Flip-Up Table Boxes

deQuorum™ Flip-Up Table Boxes provide flexibility in décor, communication connectivity options, and installation to meet specific functional and aesthetic needs. Flip-Up Table Boxes bring the modules above the work surface when in use for easy access.



deQuorum™ Flip-Up Table Boxes provide flexibility in décor, communication connectivity options, and installation to meet specific functional and aesthetic needs.

CODE REFERENCE

cULus Listed Relocatable Power Tap:
File E66421 Guide XBYS
Listed to US & Canadian Safety Standards
Meets Article 380 of NEC.

deQUORUM FLIP-UP TABLE BOXES COLOR OPTIONS

deQuorum Flip-Up Table Box Covers are available in the following finishes: Black and Stainless.

deQuorum Flip-Up Table Box Part Number Configurator

deQuorum Flip-Up Table Boxes

D Q F

deQuorum Series:
DQF = deQuorum Flip-Up

Wiring Option:

P = Cord Ended
F = Field Wired

Receptacle Amperage:

15 = 15A
20 = 20A

USB:

U = USB

Unit Color:

BK = Black
ST = Stainless

Second Gang:

Communications = 2A
One Gang Only= Leave Blank

NOTE: Part Number Configurator can be used both to identify stock product configurations and also to request custom configurations from the factory. Consult the factory for more information.

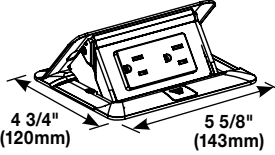
deQuorum Flip-Up Pedestal Table Boxes Ordering Information

PART NO.	DESCRIPTION	PART NO.	DESCRIPTION
DQFP15BK DQFP15ST	Single Flip-Up Unit – Unit includes one (1) 15A black tamper-resistant duplex receptacle. Unit comes with a 6' (1.83m) cord. Available in black or stainless finishes.	DQFP15UBK DQFP15UST	Single Flip-Up Unit – Unit includes one (1) 15A black tamper-resistant duplex receptacle with two (2) USB ports that provide 3.1A. Unit comes with a 6' (1.83m) cord. Available in black or stainless finishes.
DQFP15BK-2A DQFP15ST-2A	Dual Flip-Up Unit – Unit includes one (1) 15A black tamper-resistant duplex receptacle. Second opening will accept adapter for one (1) Wiremold CM Series Open System 2A module, one (1) Ortronics Series II or one (1) TracJack adapter to accommodate a wide range of communication outlets. Adapters are included in hardware bag. Unit comes with a 6' (1.83m) cord. Available in black or stainless finishes.	DQFP15UBK-2A DQFP15UST-2A	Dual Flip-Up Unit – Unit includes one (1) 15A black tamper-resistant duplex receptacle with two (2) USB ports that provide 3.1A. Second opening will accept adapter for one (1) Wiremold CM Series Open System 2A module, one (1) Ortronics Series II or one (1) TracJack adapter to accommodate a wide range of communication outlets. Adapters are included in hardware bag. Unit comes with a 6' (1.83m) cord. Available in black or stainless finishes.

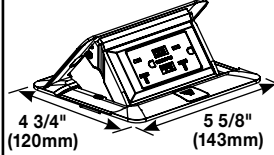
NOTE: Single-gang table boxes require a cutout of 4 1/8" x 5" (105mm x 127mm).
Double-gang table boxes require a cutout of 4 1/8" x 10 1/4" (105mm x 260mm).

deQuorum Flip-Up Pedestal Table Boxes Ordering Information (Continued)

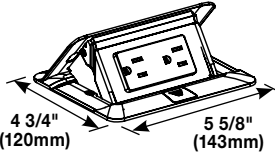
PART NO.	DESCRIPTION
DQFF15BK DQFF15ST	<p>Single Flip-Up Unit – Unit includes one (1) 15A black tamper-resistant duplex receptacle. Unit can be field-wired with MC or EMT using any 1/2" trade size connector. Hot, neutral and ground wires come with quick connectors for activation. Available in black or stainless finishes.</p>



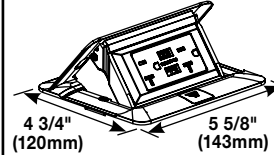
PART NO.	DESCRIPTION
DQFF15UBK DQFF15UST	<p>Single Flip-Up Unit – Unit includes one (1) 15A black tamper-resistant duplex receptacle with two (2) USB ports that provide 3.1A. Unit can be field wired with MC or EMT using any 1/2" trade size connector. Hot, neutral, and ground wires come with quick connects for activation. Available in black or stainless finishes.</p>



DQFF15BK DQFF15ST	<p>Single Flip-Up Unit – Unit includes one (1) 20A black tamper-resistant duplex receptacle. Unit can be field-wired with MC or EMT using any 1/2" trade size connector. Hot, neutral and ground wires come with quick connectors for activation. Available in black or stainless finishes.</p>
------------------------------	--



DQFF20UBK DQFF20UST	<p>Single Flip-Up Unit – Unit includes one (1) 20A black tamper-resistant duplex receptacle with two (2) USB ports that provide 3.1A. Unit can be field wired with MC or EMT using any 1/2" trade size connector. Hot, neutral, and ground wires come with quick connects for activation. Available in black or stainless finishes.</p>
--------------------------------	--



NOTE: Single-gang table boxes require a cutout of 4 1/8" x 5" (105mm x 127mm).

Desktop Power Center

Desktop Power Center brings surge-protected power and USB charging outlets up to the work surface by utilizing existing cord drop openings in office desks and table tops or by mounting onto the edge of a desk or table top.

CODE REFERENCE

**cETLus Listed
Furniture Power Distribution Box**
Listed to US & Canadian
Safety Standards

DESKTOP POWER CENTER COLOR OPTIONS

Desktop Power Centers are available in black with magnesium side panels.



Desktop Power Center provides easy access to surge-protected power and USB services.

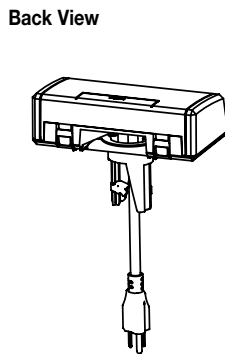
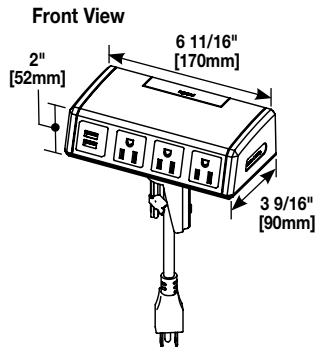
Desktop Power Center Ordering Information



WSC400-S Desktop Power Center with mounting components

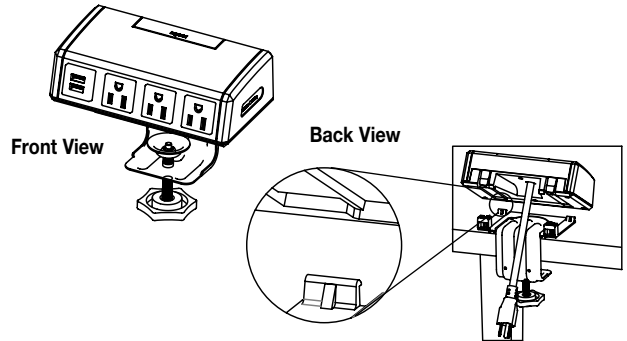
MOUNTING OPTIONS:

Installs through an existing cord drop opening.



CATALOG NUMBER	DESCRIPTION
WSC320-S	USB Desktop Power Center Has three (3) surge-protected 15A power outlets, two (2) USB charging outlets and a 6' [1.83m] cord. Units come with accessories for mounting into round cutouts in desk or edge mounting on desks or other work surfaces. Ships in corrugated box.

Installs on the edge of a work surface.



Desk Module

New Desk Modules increase the functionality of workstations by replacing existing grommets with power, communication and USB charging. Convenient retractors provide clean cable management.

CODE REFERENCE

**cETLus Listed
Furniture Power Distribution Box**
Listed to US & Canadian
Safety Standards









DESK MODULE COLOR OPTIONS

Desk Modules are available in black finish with silver trim elements.



Desk Modules upgrade workstations to well-connected spaces so users can focus on the business at hand.

Desktop Power Center Ordering Information

CATALOG NUMBER	DESCRIPTION	CATALOG NUMBER	DESCRIPTION
WSDM210BK	Desk Module Desk Module, black/silver, with two (2) 15A outlets and 12' (3.65m) cord.	WSDM211BKR	Desk Module Desk Module, black/silver, with two (2) 15A outlets, one (1) USB charging outlet and 12' cord (3.65m) . Includes RJ45 retractor cassette.
			
WSDM210BKR	Desk Module Desk Module, black/silver, with two (2) 15A outlets and 12' (3.65m) cord. Includes RJ45 retractor cassette.	WSDMDC	RJ45 Retractor Cassette Retractor with Cat6 cable extending 4. 4' (1.35m).
			
WSDM211BK	Desk Module Desk Module, black/silver, with two (2) 15A outlets, one (1) USB charging outlet and 12' cord (3.65m) .	WSDMUC	USB Retractor Cassette Retractor with USB charging cable extending 4. 4' (1.35m).
			

NOTE: Installation requires a hole cut between 2 3/8" (60mm) and 3 1/8" (79mm) in diameter.



Electrical Wiring Systems

60 Woodlawn Street
West Hartford, CT 06110
Phone: 1.877.BY.LEGRAND (295-3472)
www.legrand.us

570 Applewood Crescent
Vaughan, Ontario L4K 4B4
Phone: 905.738.9195
www.legrand.ca

