

# SNE Series

## security network enclosure

configured with vented front/rear doors and cable management to address the needs of security systems consisting of analog and/or digital equipment and cabling

### features:

- Fully welded construction provides the following weight capacities:
  - UL Listed load capacity – 3,000 lbs.
  - Caster load capacity – 1,600 lbs.
  - Seismic certified capacity – 1,060 lbs.
- Ships configured with
  - 70% vented Front and Split Rear Doors
  - Top option that accepts up to (3) 6" fans
  - Locking Side Panels
  - Cable duct or cable fingers
- Available in 24" and 30" widths
- 36" and 42" overall depths
- Includes 2 pairs of 10-32 threaded or cage nut fully adjustable rackrail
- Lever Lock™ compatible



### specifications:

EIA compliant 19" gangable security network enclosure shall be Middle Atlantic Products model # SNE-\_\_\_-CA (refer to chart). Overall dimensions shall be \_\_\_"H x \_\_\_"W x \_\_\_"D (refer to chart). Useable height shall be \_\_\_ rackspace, useable depth shall be \_\_\_" (refer to chart). Fully welded construction shall provide a UL Listed load capacity of 3,000 lbs., and casters shall provide a capacity of 1,600 lbs. SNE shall come equipped with two pairs of fully adjustable steel rackrail with tapped 10-32 or cage-nut mounting (refer to chart) in universal EIA spacing, black e-coat finish and numbered rackspace. SNE shall have pre-threaded 5/16"-18 ganging holes. SNE shall be capable of ganging while fully loaded, using bolts only. SNE shall have marked rackrail depth indicators. SNE shall be of fully welded construction. SNE shall include 70% vented front door, and split rear door. SNE shall have locking side panels. SNE shall include \_\_\_(cable fingers, duct, refer to chart) cable management. SNE shall be finished in an environmentally friendly, durable black powder coat. SNE Series enclosures shall satisfy the 2007, 2010 & 2013 CBC; 2006, 2009 & 2012 IBC; ASCE 7-05 (2005 Edition) & ASCE 7-10 (2010 Edition) for use in areas of high seismicity, Seismic Use Group III, Zone 4 or Seismic Design Category (SDC) "D" with lateral force requirements for protecting 1,060 lbs. of essential equipment in locations with the highest level of seismicity and top floor or rooftop installations with an Importance factor (Ip) of 1.5 when used with SNE-Z4 seismic floor anchor bracket. SNE shall be UL Listed in the US and Canada to the UL-2416 (NWIN) category. SNE shall be GREENGUARD Gold Certified. SNE enclosure shall be RoHS EU Directive 2011/65/EU and CSA C22.2 No. 60950-1 compliant. SNE shall be manufactured by an ISO 9001 and ISO 14001 registered company. SNE enclosure shall be warranted to be free from defects in material or workmanship under normal use and conditions for the lifetime of the rack.

Customizable specification clips available at [middleatlantic.com](http://middleatlantic.com)

EIA/TIA COMPLIANT



PRODUCT CERTIFIED FOR  
LOW CHEMICAL EMISSIONS  
UL.COM/GG  
UL 2818

### options:

- Split lift-off cable chase shall be 4.4" wide and mount in-between enclosures, model # SNE-CC-\_\_\_LT (refer to drawing for model number)
- Cable chase shall be model # SNE-\_\_\_-CC12-45\_\_\_ (refer to chart), and shall be 12" wide x \_\_\_" deep x 83.33" high
- Front air dam/zero-U panel mount shall be model # SNE-\_\_\_-FAD-PM-\_\_\_ (refer to drawing for model #)
- Bracket for top cable pass-through enclosure to enclosure shall provide the ability to pass cables from enclosure to enclosure when ganged together, and shall be model number SNE-TCB-\_\_\_ (36, 42)
- 6" wide wire type vertical lace shall be model number LACE-WB6-\_\_\_ (42, 45)
- Seismic Zone-4 and Seismic Use Group III compliancy floor anchor kit shall be model # SNE-Z4
- 6" fans shall be FAN-6
- 6" fan guards shall be GUARD-6

what great systems are built on.™

A Group brand | Legrand

Middle Atlantic Products

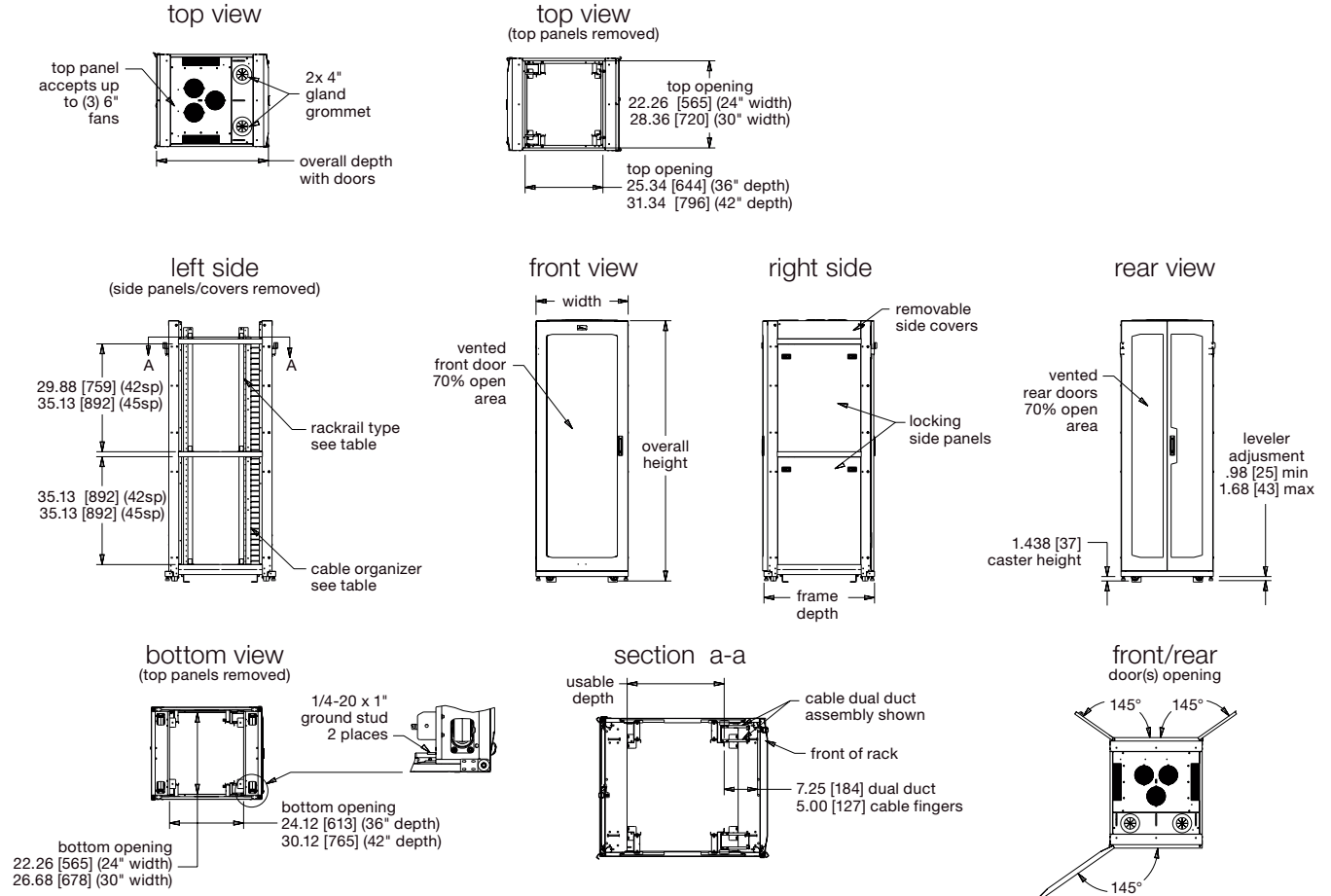
[middleatlantic.com](http://middleatlantic.com) | [middleatlantic.com](http://middleatlantic.com)

96-01223 / rev c / 6-20-17

# SNE Series

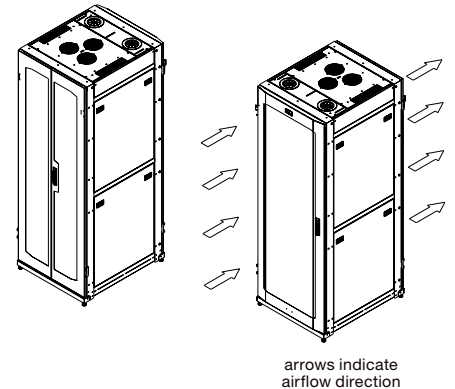
## basic dimensions

all dimensions in inches unless otherwise noted [all dimensions in brackets are in millimeters]



| Rack Spaces | Overall Height | Frame Height | Vented Doors | 24.00 [609] Width |                   | Rackrail Type | Cable Organizer |
|-------------|----------------|--------------|--------------|-------------------|-------------------|---------------|-----------------|
|             |                |              |              | 42 [1067] Depth   | 30.00 [762] Width |               |                 |
| 42 space    | 79.52 [2020]   | 78.08 [1983] | yes          | SNE24-4242PROCA   | n/a               | cage nut      | cable fingers   |
| 42 space    | 79.52 [2020]   | 78.08 [1983] | yes          | SNE24-4242103CA   | n/a               | 10-32 thread  | cable fingers   |
| 45 space    | 84.77 [2153]   | 83.33 [2117] | yes          | n/a               | SNE30-4536PROCA   | cage nut      | duct            |
| 45 space    | 84.77 [2153]   | 83.33 [2117] | yes          | n/a               | SNE30-45361032CA  | 10-32 thread  | duct            |

| Frame Depth  | Useable Depth | Overall Depth (with doors) |
|--------------|---------------|----------------------------|
| 36.00 [914]  | 25.75 [654]   | 37.15 [944]                |
| 42.00 [1067] | 31.00 [787]   | 43.15 [1096]               |



Note:  
 Front door, rear doors, and side panels are keyed the same

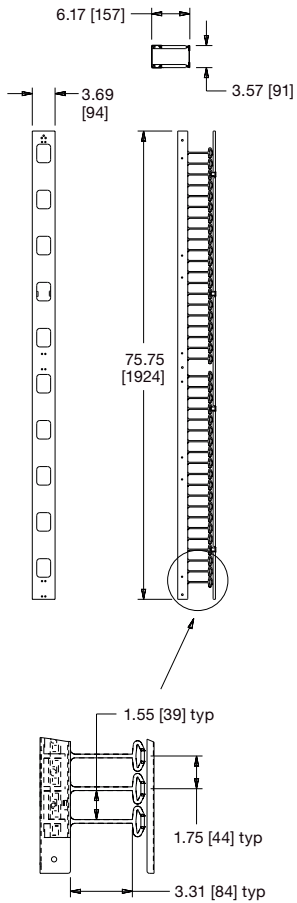
what great systems are built on.™

# SNE Series

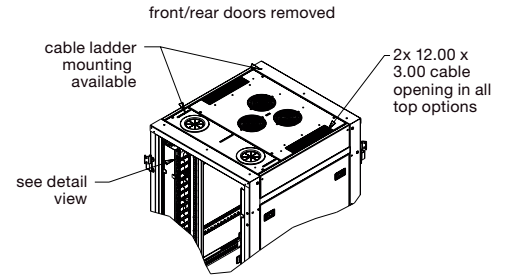
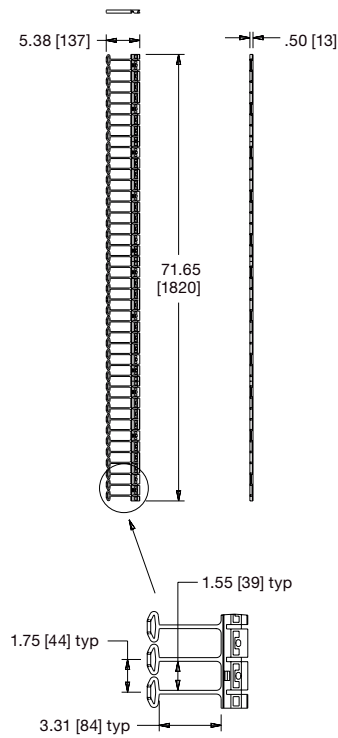
## basic dimensions

all dimensions in inches unless otherwise noted [all dimensions in brackets are in millimeters]

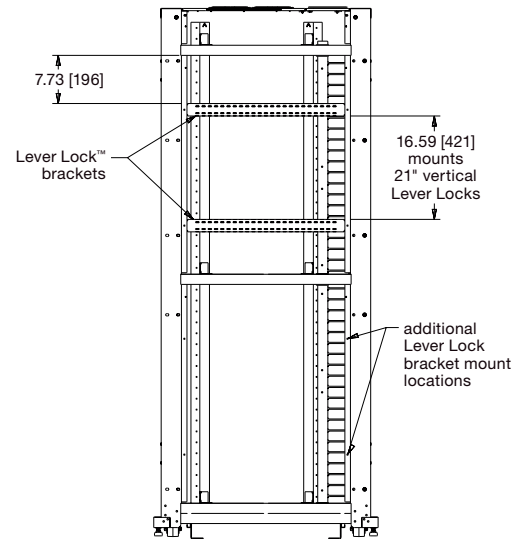
### cable organizer duct



### cable organizer cable fingers



### side view (wire lace removed)

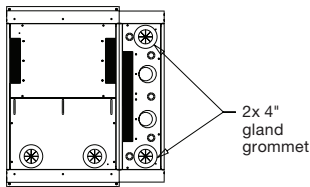


# SNE Series

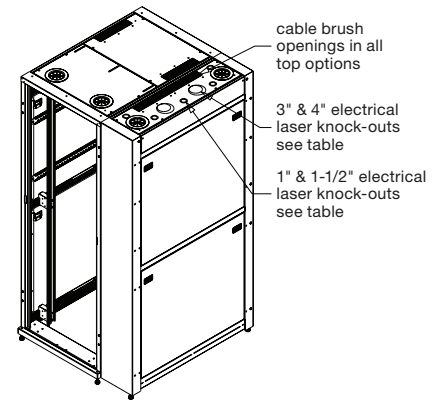
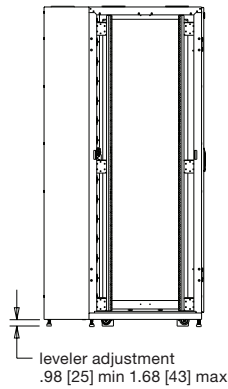
## cable chase basic dimensions

all dimensions in inches unless otherwise noted [all dimensions in brackets are in millimeters]

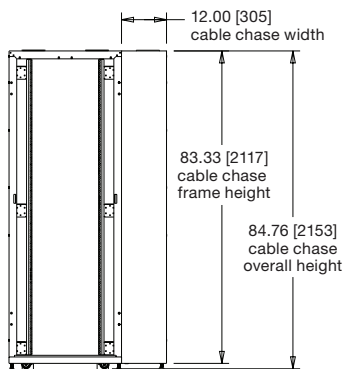
top view



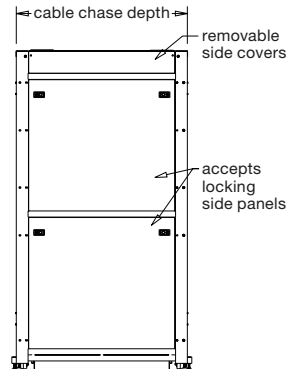
rear view



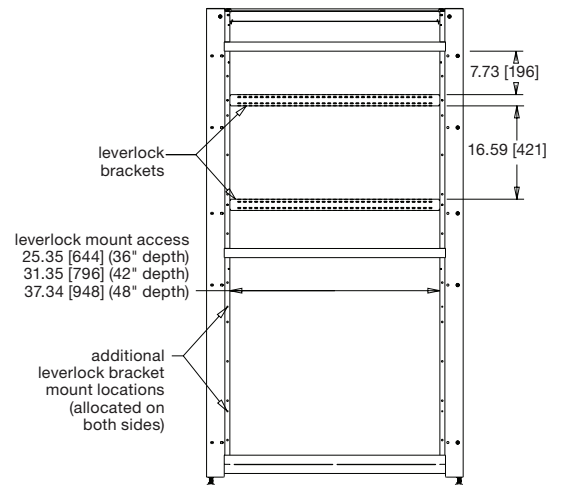
front view



right side



cable chase side view (without side panels)



- Notes:
1. cable chase shown mounted on a SNE rack enclosure
  2. cable chase can be mounted on left or right side of rack

| Cable Chase Part Number | Cable Chase Depth | 1" & 1-1/2" LKO (Qty) | 4" & 5" LKO (Qty) | Fits SNE Racks |
|-------------------------|-------------------|-----------------------|-------------------|----------------|
| SNE-CCE12-4536          | 36.00 [914]       | 4                     | 1                 | SNEXX-4536-XX  |
| SNE-CCE12-4542          | 42.00 [1067]      | 4                     | 1                 | SNEXX-4542-XX  |
| SNE-CCE12-4548          | 48.00 [1219]      | 5                     | 2                 | SNEXX-4548-XX  |