

Mounted Zone Cabling Enclosures and Brackets

Wall Mounted Enclosure

QuadCab Enclosure, 20" depth

HUBBELL

Features

- Modular construction with mid-section to swing out to access rear installed equipment
- Modular backboard systems eliminates field engineering
- Distributing network equipment lessens heat load in the telecom room

Ordering Information

| Height | Door Style | Catalog Number | UPC Number |
|--------|------------|----------------|--------------|
| 36" | Solid Door | HSQ36S | 662620853222 |

Listings

EIA/ECA-310-E Universal Mounting Pattern

Specifications

| | |
|---------------------|-------------------|
| Material | Cold rolled steel |
| Rear & Middle Gauge | 14 |
| Door Gauge | 18 |
| Door Type | Solid |
| Rail Type | #12-24 Threaded |
| Finish | Black powder coat |

Characteristics

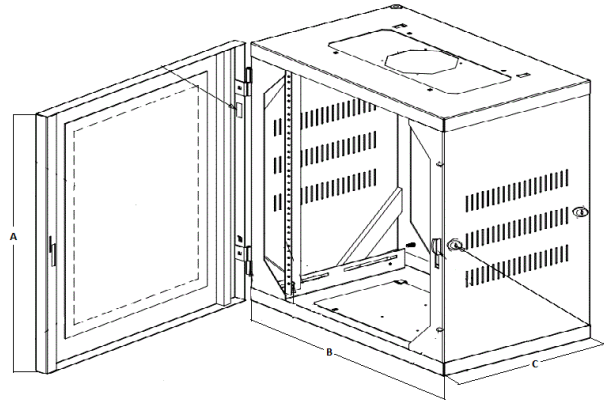
| | |
|---------------|--------------------------|
| Access | Swing out center section |
| Load Capacity | 409 lb |
| Rack Units | 19 |

Accessories

| | |
|--|-----------------|
| 1U Power strip | HPWPWR |
| 1U Horizontal cable manager with cover | HM14C |
| 2U Horizontal cable manager with cover | HM24C |
| Mobile Base | HSQKMB20 |

Online Resources

Customer Drawing
Customer Use Drawing
eCatalog



Dimensions- inches (mm)

| | |
|---|-------------|
| A | 36.4" (925) |
| B | 22.6" (574) |
| C | 20.3" (516) |