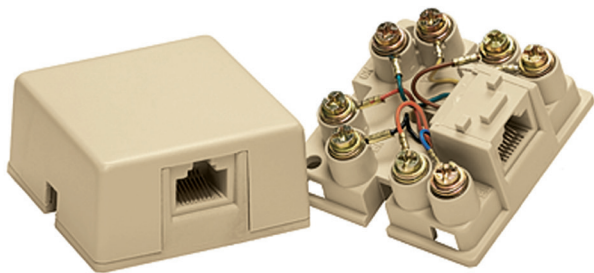


Surface-Mount Telephone Boxes

APPLICATION

Leviton Surface-Mount Telephone Boxes are ideal wherever telephone connections are needed. Available in 6P4C, 6P6C and 8P8C configurations, these boxes are durable and easy to install with screw terminals that ensure secure and reliable connections. For connection of monitored security systems, a shorting bars configuration (RJ31X) is also available providing for equipment disconnect upon security system activation and call-out.



SPECIFICATION

The Leviton Surface-Mount Telephone boxes shall be cULus listed and meet FCC Part 68. The Surface-Mount boxes shall be of two pieces, a base with the connector and terminals and a snap on cover. 6P4C, 6P6C, 8P8C, and 8P8C with shorting bars (supporting security system connection) options shall be available to support single or multiple line connections. Telephone boxes shall be supplied with mounting hardware to include screws and double-sided tape. Terminal designation shall be accomplished via color-coded leads supporting quick and simple termination.

FEATURES

- Screw terminal connections provide flexible, secure, and reliable performance
- Finish and color matches Leviton wallplates for a consistent look throughout the home or business
- Available for single 6P4C telephone line connection, 6P6C 3-line connection, 8P8C 4-line connection and 8P8C with shorting bars (for security applications)
- Mounting hardware and double-sided tape included

STANDARDS COMPLIANCE

- cULus Listed
- FCC Part 68

PHYSICAL SPECIFICATIONS

Dimensions: See page 2

Color: 4625A-24x: White, Ivory
4625A-26x: White, Ivory
40278-00x: White, Ivory
40278-SBx: Ivory, Light Almond

Materials: High-impact, UL 94V-0 plastic

COUNTRY OF ORIGIN

Taiwan

WARRANTY INFORMATION

For a free copy of Leviton product warranties, visit www.leviton.com.

ELECTRONIC FILES

For CAD files, typical specs, or technical drawings (.DXF, .DWG), visit www.leviton.com.

Leviton Network Solutions

2222 - 222nd St. SE
Bothell, WA 98021-4416

tel 1-800-824-3005
tel +1-425-486-2222
appeng@leviton.com
www.leviton.com

Asia / Pacific

T +1.631.812.6228
E infoasean@leviton.com

Europe

T +44.0.1592.772124
E customerserviceeu@leviton.com

Canada

T +1.514.954.1840
E pcservice@leviton.com

Mexico

T +52.55.5082.1040
E lsamarketing@leviton.com

Caribbean

T +1.954.593.1896
E infocaribbean@leviton.com

Middle East & Africa

T +971.4.247.9800
E lmeinfo@leviton.com

China

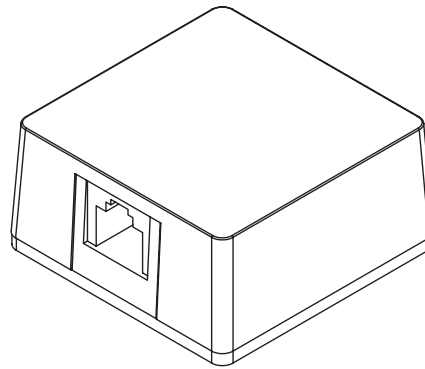
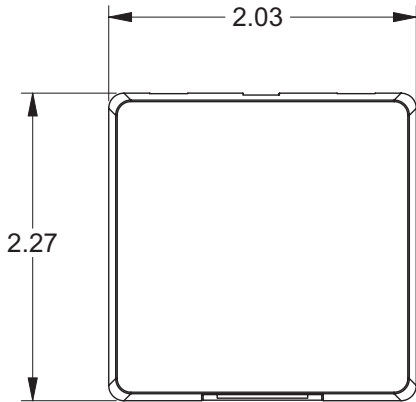
T +852.2774.9876
E infochina@leviton.com

South Korea

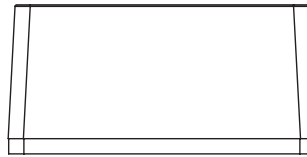
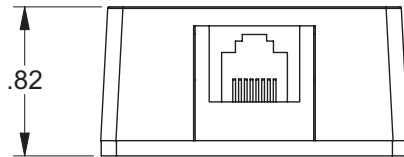
T +82.2.3273.9963
E infokorea@leviton.com

Colombia

T +57.1.743.6045
E infocolombia@leviton.com



4625A-XXX, 40278-XXX



PART NUMBERS

Description	White	Light Almond	Ivory
Surface-Mount Telephone Box 6P4C Screw Terminal	4625A-24W	-	4625A-24I
Surface-Mount Telephone Box 6P6C Screw Terminal	4625A-26W	-	4625A-26I
Surface-Mount Telephone Box 8P8C Screw Terminal	40278-00W	-	40278-00I
Surface-Mount Telephone Box 8P8C with Shorting Bars RJ-31X Jack Screw Terminal	-	40278-SBT	40278-SBI

Leviton Network Solutions

2222 - 222nd St. SE
 Bothell, WA 98021-4416

Asia / Pacific
 T +1.631.812.6228
 E infoasean@leviton.com

Canada
 T +1.514.954.1840
 E pcservice@leviton.com

Caribbean
 T +1.954.593.1896
 E infocaribbean@leviton.com

China
 T +852.2774.9876
 E infochina@leviton.com

Colombia
 T +57.1.743.6045
 E infocolombia@leviton.com

tel 1-800-824-3005
 tel +1-425-486-2222
 appeng@leviton.com
 www.leviton.com

Europe
 T +44.0.1592.772124
 E customerserviceeu@leviton.com

Mexico
 T +52.55.5082.1040
 E lsamarketing@leviton.com

Middle East & Africa
 T +971.4.247.9800
 E lmeinfo@leviton.com

South Korea
 T +82.2.3273.9963
 E infokorea@leviton.com