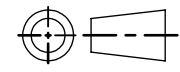
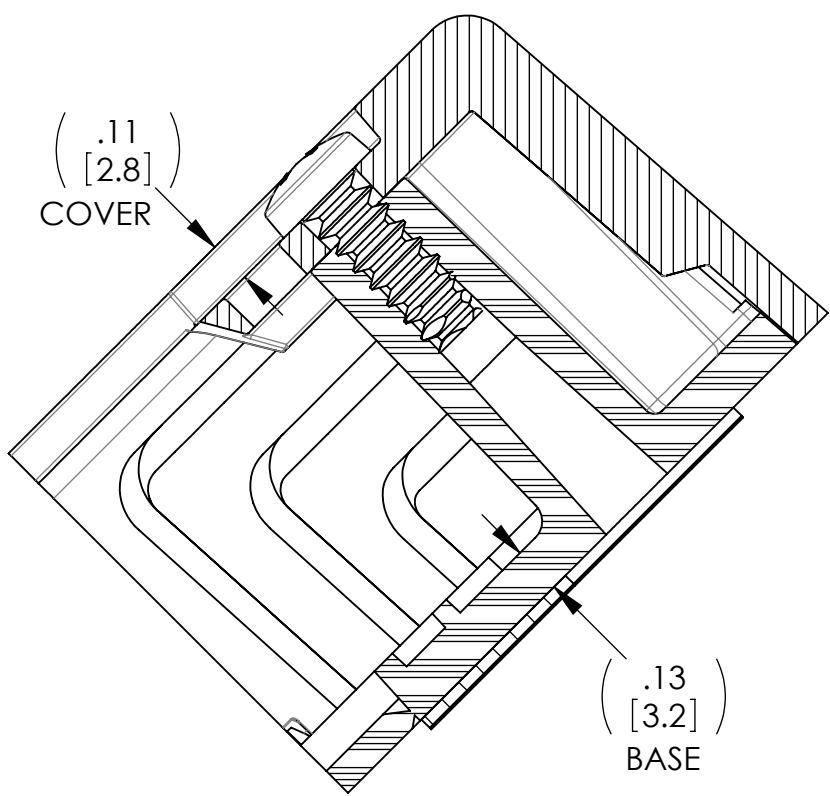
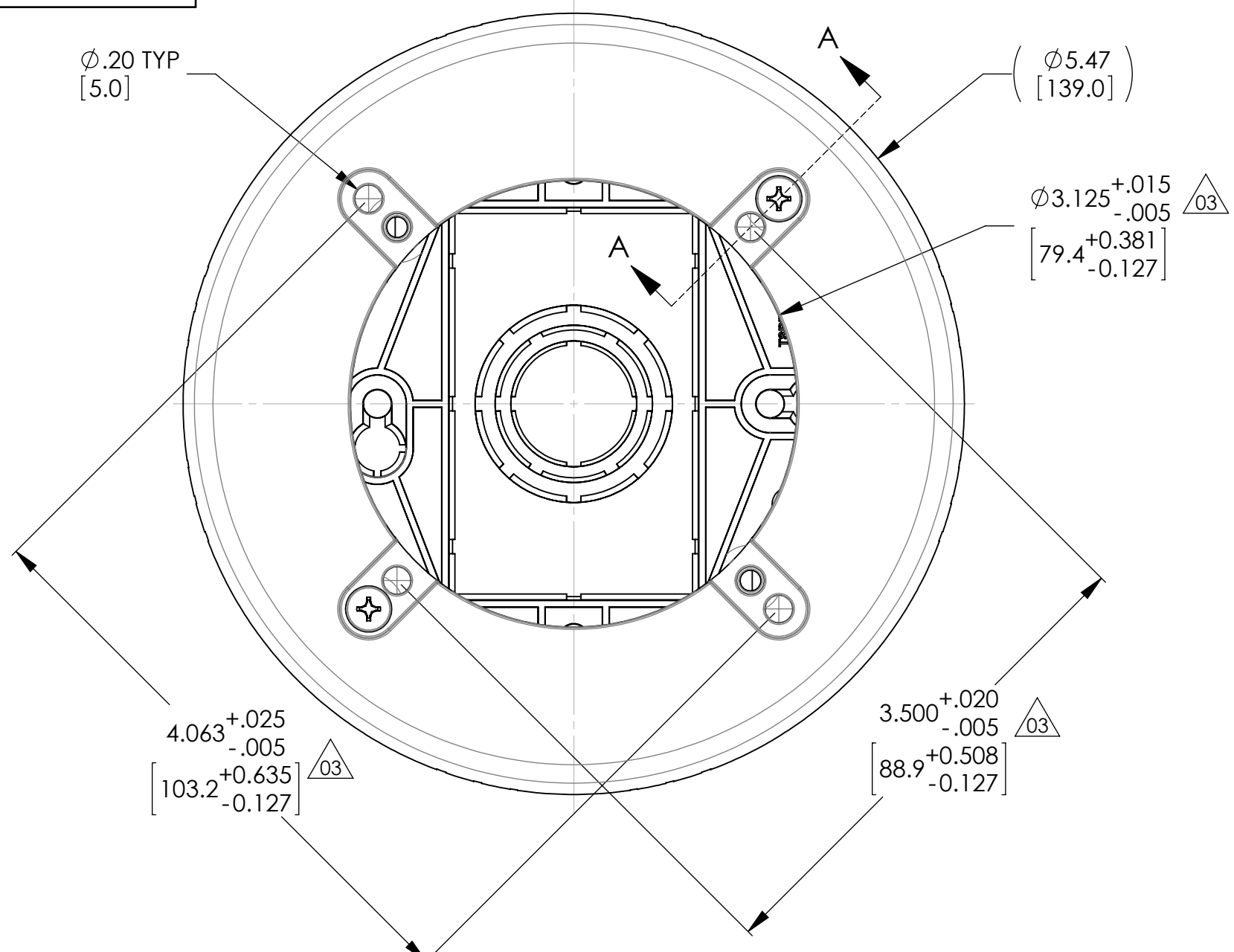


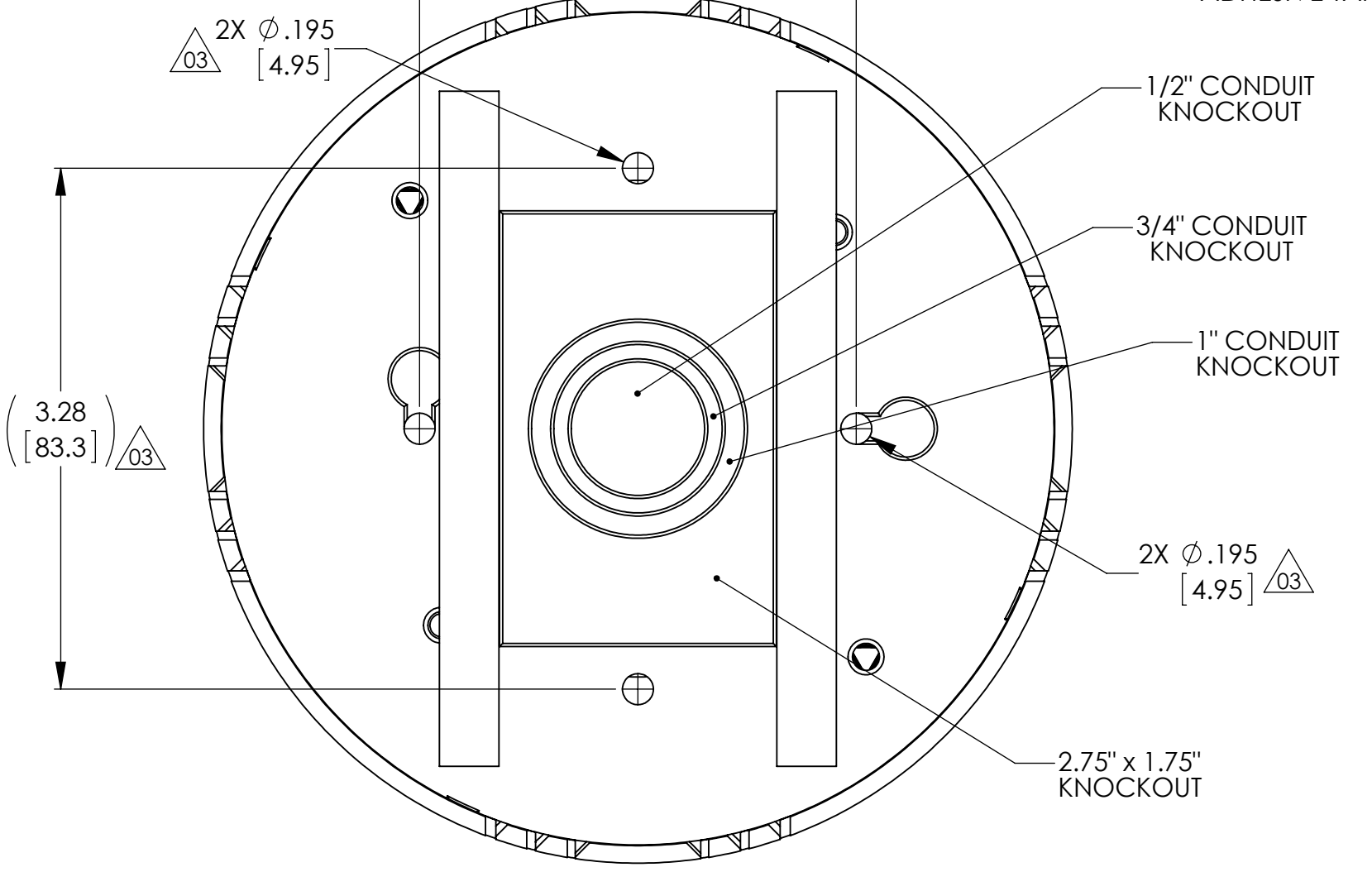
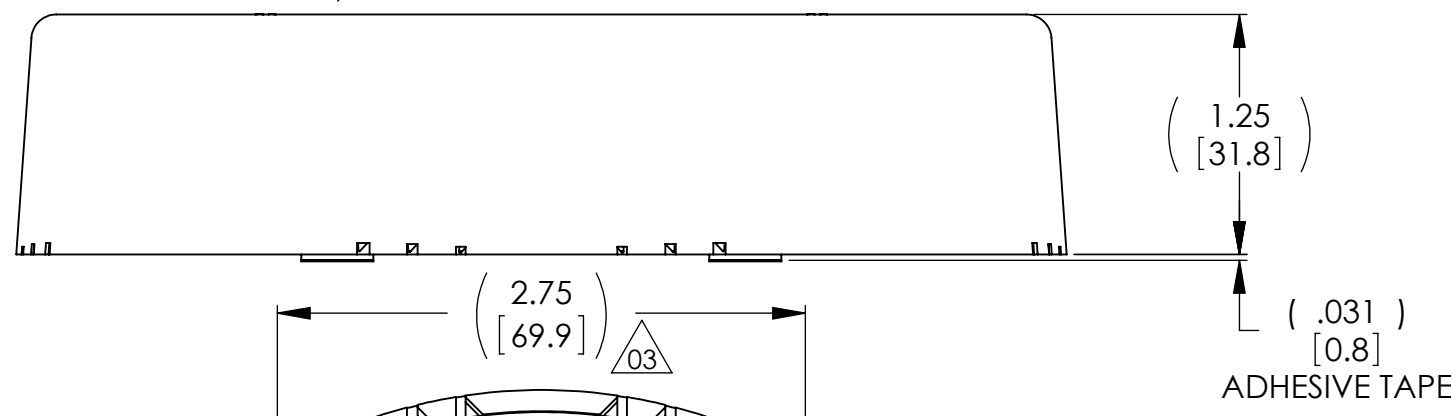
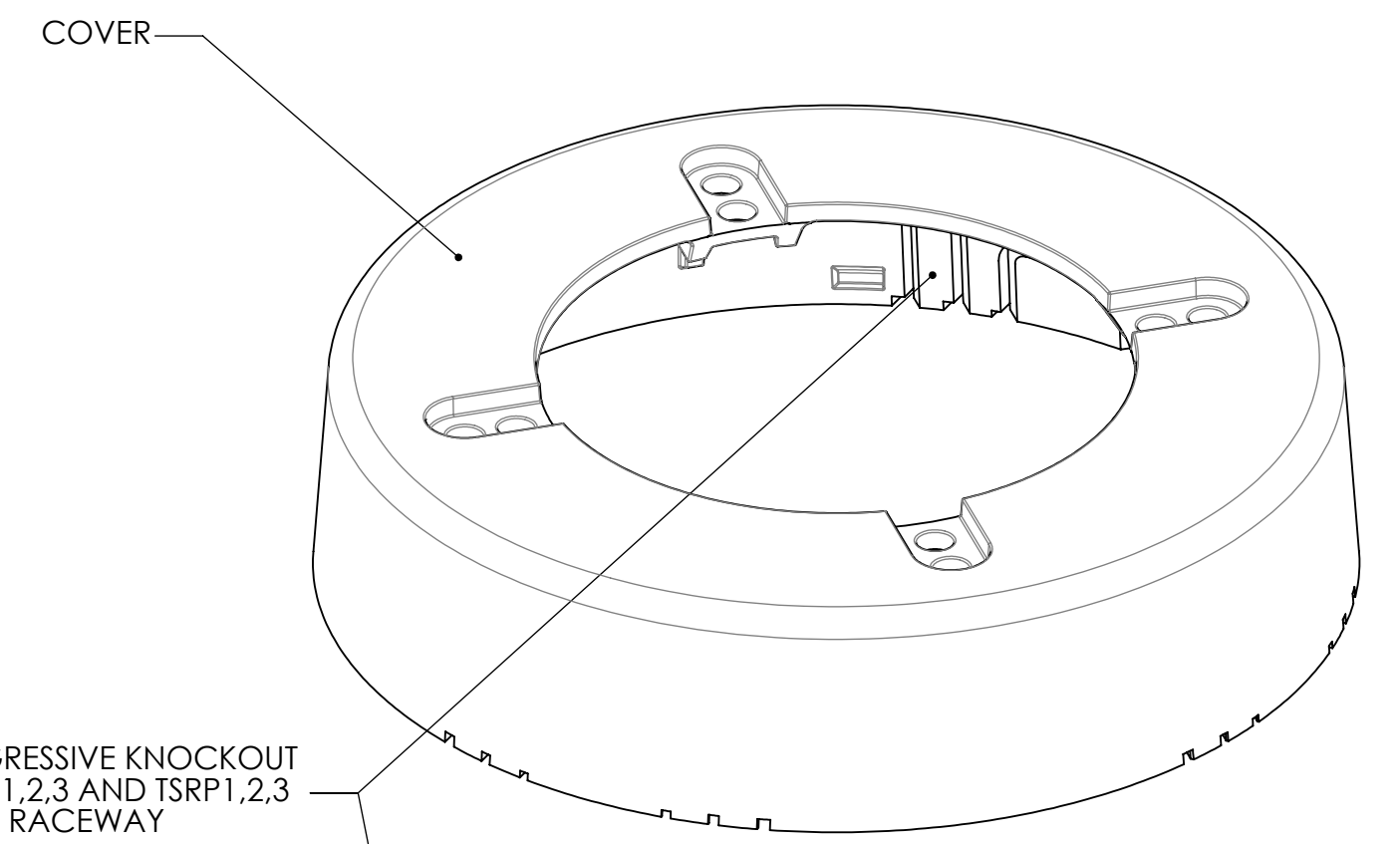
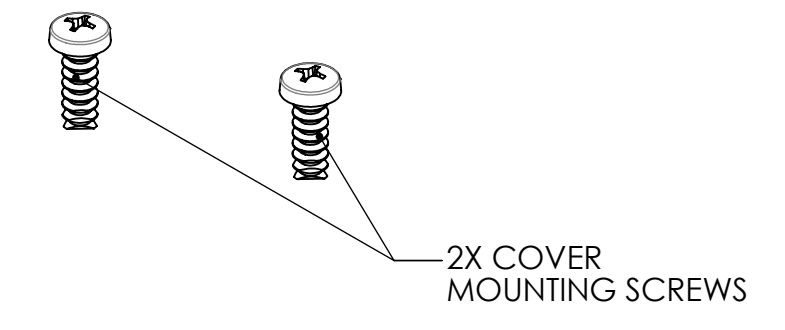
SW2011



Revision level		Revision Record	Changed	Date	Approved	Date
Drawing	Part					
03	-	SEE ECN# 012389	CJR	06/19/2013	CJR	06/19/2013



NOTE:  
ALL COMPONENTS SHIP  
LOOSE IN PACKAGE.



PRODUCT CODE DESCRIPTION

TSR\_\_-RB  
 ↑  
 COLOR  
 I=IVORY  
 FW=OFFICE WHITE  
 W=WHITE  
 (FOR OTHER COLORS  
 CONTACT FACTORY)

PART NO.	DESCRIPTION
TSRP_-RB	POWER-RATED SYSTEM
TSR_-RB	LOW VOLTAGE SYSTEM

- Notes
- FEATURES:
- ADHESIVE STRIPS PROVIDED FOR EASY PLACEMENT OF BASE DURING ASSEMBLY
  - SCREWS PROVIDED FOR MOUNTING OF COVER TO BASE
  - KNOCKOUT ENTRIES FOR ALL 3 SIZES OF TSR AND TSRP RACEWAY
  - LOW PROFILE
  - PAINABLE WITH LATEX BASED PAINT
  - FACE PLATE MOUNTS TO COVER DIRECTLY FOR EASY ACCESS
  - CONDUIT AND RECTANGULAR KNOCKOUTS PROVIDED ON BASE
  - BASE IS RIBBED FOR STABILITY

Material	PVC
Units	inches
Dimension without tolerances details to:	.xxxx = ±.0005 .xxx = ±.005 .xx = ±.01 .x = ±.03 None = ±.06 ∠ = ±0.5°

The copyright of this drawing is reserved by HellermannTyton. It is issued on condition that it is not reproduced, copied, or disclosed to a third party, either wholly or in part, without the consent of HellermannTyton.

Drawn	CJR	09/27/2012
Approved	CJR	01/11/2013

**HellermannTyton**  
 North America  
 Email: corp@htamericas.com  
 Web: www.hellermann.tyton.com

Article/Type-No	TSR_-RB & TSRP_-RB /03	Scale	1:1
Title	ASSY, TSRP & TSR, ROUND JUNCTION BOX	Project Number	PRP12-0638
Drawing-No	12-0638-101-CSU	Format	C
Production : Phase		Sheet	1/1