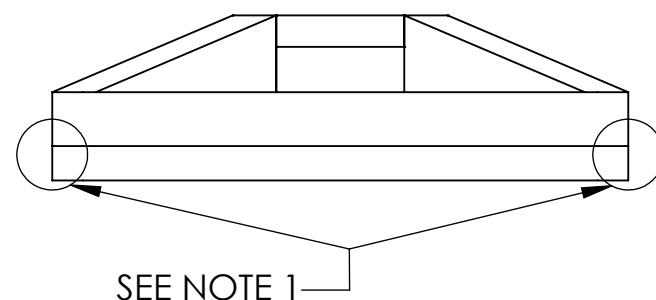
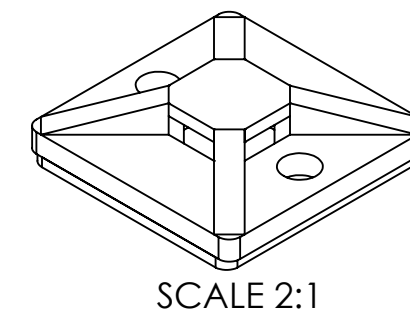
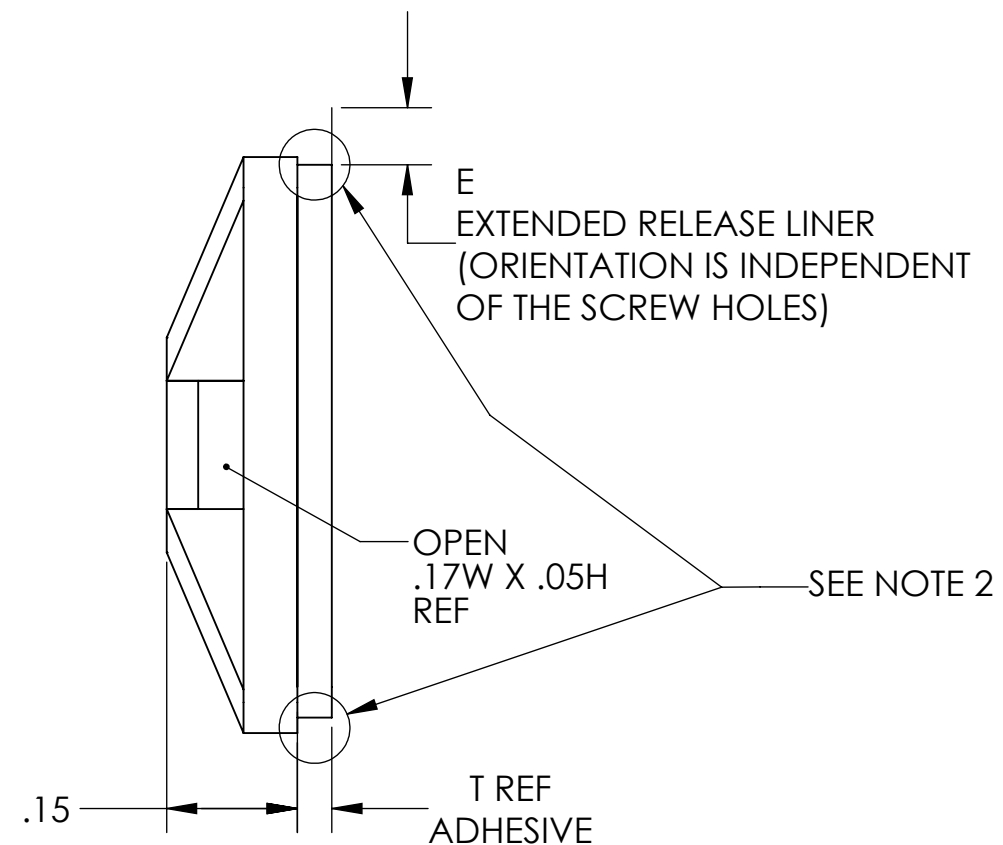
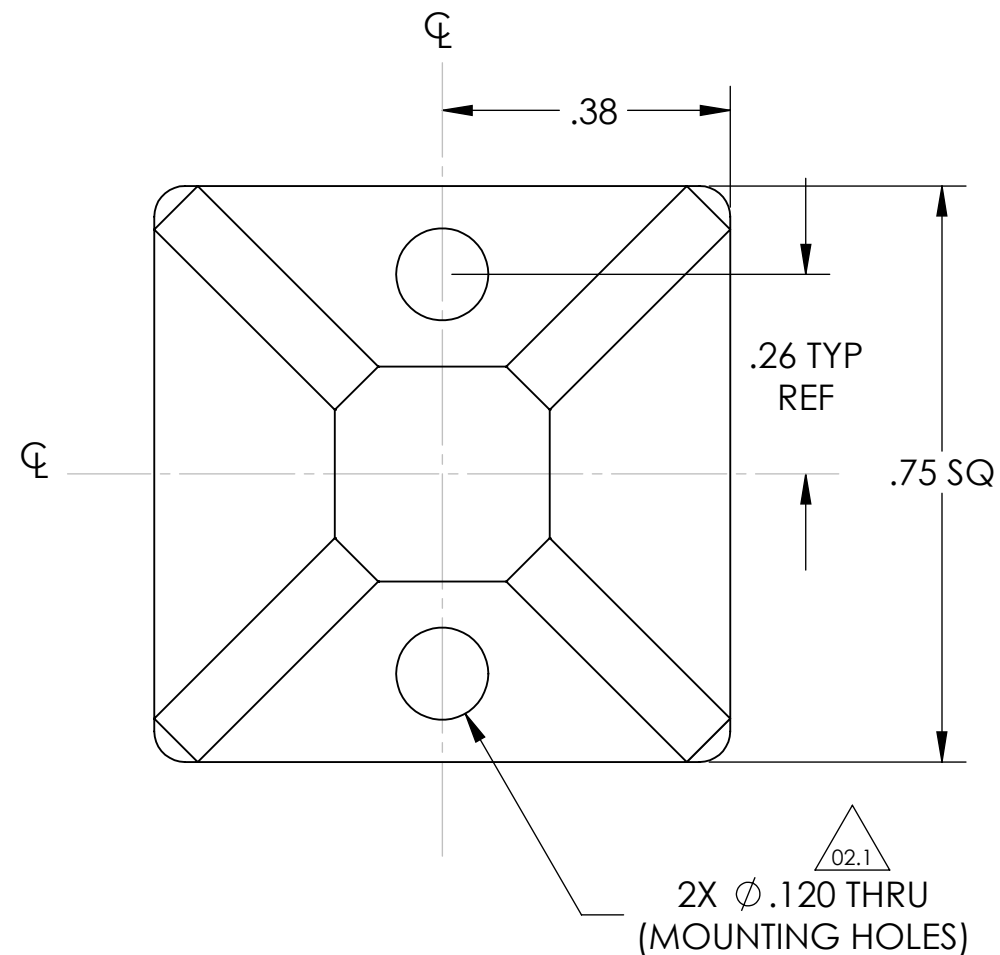


Revision level			Revision Record	Changed	Date	Approved	Date
Drawing	State	Part					
02.1	Design Release	-	SEE ECN# 013710	CTF	2/7/2017	JPG	2/7/2017



02.1

- Notes
1. TAPE MAY BE FLUSH OR EXTEND BEYOND THE EDGE OF THE MOUNT
 2. TAPE MAY BE FLUSH OR INSIDE THE MOUNT EDGE
 3. SHELF LIFE IDENTIFIED ON: LOCATION TBD
 4. MOUNTING SURFACE, APPLYING ADHESIVE TO, IS CLEAN, DRY, AND FREE OF GREASE AND OIL. IT IS RECOMMENDED TO USE 50:50 MIXTURE OF IPA (ISOPROPYL ALCOHOL) AND WATER PRIOR TO APPLYING
 5. STORE PRODUCT IN ITS ORIGINAL PACKAGING BETWEEN 50°F TO 86°F (10°C TO 30°C) AND 50% OF RELATIVE HUMIDITY, OUT OF DIRECT SUNLIGHT
 6. STORE PRODUCT IN ITS ORIGINAL PACKAGING BETWEEN 40°F TO 100°F (4°C TO 38°C) AND 0-95% RELATIVE HUMIDITY, THE OPTIMUM STORAGE CONDITIONS ARE 72°F (22°C) AND 50% RELATIVE HUMIDITY OUT OF DIRECT SUNLIGHT.

Material
SEE CHART SHEET 2

Units: inches
Dimension without tolerances details to:
.xxxx = ±.0005
.xxx = ±.005
.xx = ±.01
.x = ±.03
None = ±.06
∠ = ±0.5°
Dimension Formatted in/[mm]

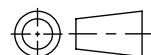
The copyright of this drawing is reserved by HellermannTyton. It is issued on condition that it is not reproduced, copied, or disclosed to a third party, either wholly or in part, without the consent of HellermannTyton.

Drawn: KEP, 4/13/2016
Approved: JPG, 4/13/2016
HellermannTyton
North America
Email: corp@htamericas.com
Web: www.hellermann.tyton.com

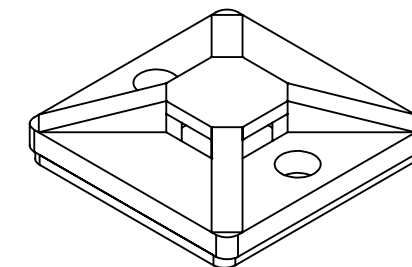
Article/Type-No: SEE CHART SHEET 2
Title: MOUNTING BASE, 4 WAY, MB3, SELF-ADHESIVE
Drawing-No: 16-0338-001-CSU
PRODUCTION : Phase

Scale: 4:1
Project Number: PRP16-0338
Format: B
Sheet: 1/2

SW2015



Revision level			Revision Record	Changed	Date	Approved	Date
Drawing	State	Part					
02.1	Design Release	-	SEE ECN# 013710	CTF	2/7/2017	JPG	2/7/2017



SCALE 2:1

TYPE NAME	T ±0.005	E ±0.030	STORAGE CONDITIONS	MOUNTING METHOD	MOUNT MATERIAL	COLOR	PART NUMBER	CABLE TIE SERIES	
MB3	N/A	N/A	N/A	#4 SCREW (NOT INCLUDED)	PA66	BLACK		T18 THRU T30	
						IVORY			
						WHITE			
						PA66HIRHSUV			BLACK
MB3A	0.036	0.134	SEE NOTE 5	241-001-01 RUBBER FOAM TAPE	PA66HIRHSUV	BLACK		T18 THRU T30	
						IVORY			
						WHITE			
						PA66			BLACK
									IVORY
									WHITE
MB3A	.045	.13	SEE NOTE 6	URAD3PX5011E ACRYLIC FOAM TAPE	PA66HIRHSUV	BLACK		T18 THRU T30	
						IVORY			
MB3A	.045	.13	SEE NOTE 6	URAD3PX5011E ACRYLIC FOAM TAPE	PA66HIRHSUV	BLACK		T18 THRU T30	

Notes
SEE SHEET 1

Material
SEE CHART

Units: inches
Dimension without tolerances details to:
.xxxx = ±.0005
.xxx = ±.005
.xx = ±.01
.x = ±.03
None = ±.06
∠ = ±0.5°
Dimension Formatted in/[mm]

The copyright of this drawing is reserved by HellermannTyton. It is issued on condition that it is not reproduced, copied, or disclosed to a third party, either wholly or in part, without the consent of HellermannTyton.

Drawn: KEP 4/13/2016
Approved: JPG 4/13/2016
HellermannTyton
North America
Email: corp@htamericas.com
Web: www.hellermann.tyton.com

Article/Type-No: SEE CHART SHEET 2
Title: MOUNTING BASE, 4 WAY, MB3, SELF-ADHESIVE
Drawing-No: 16-0338-001-CSU
PRODUCTION : Phase

Scale: 4:1
Project Number: PRP16-0338
Format: B
Sheet: 2/2