

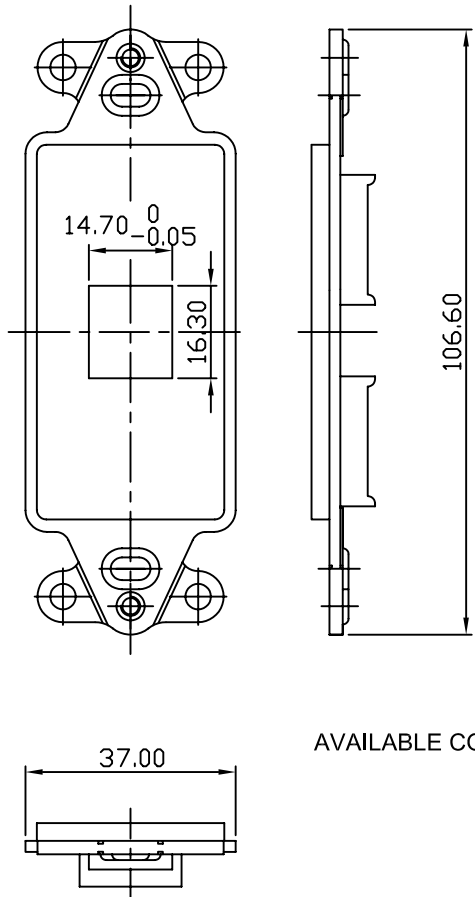
4

3

2

1

THE INFORMATION CONTAINED HEREON IS PROPRIETARY AND CONFIDENTIAL TO DYNACOM CORPORATION AND SHALL NOT BE USED OR DISCLOSED, IN WHOLE OR IN PART WITHOUT FIRST OBTAINING THE WRITTEN PERMISSION OF DYNACOM CORPORATION. SPECIFICATIONS ARE SUBJECT TO CHANGE WITHOUT NOTICE.



AVAILABLE COLORS: ELECTRICAL WHITE

UNLESS OTHERWISE SPECIFIED: TOLERANCES		PROJECT ID 10600-PDF1-XXX		TITLE 1-PORT FRAME FOR DECOR WALLPLATE	
.X ± .016	.X ± 0.2	X ± 1°	FILE	DATE	SIZE
.XX ± .008	.XX ± 0.1	.X ± .5°	DRAWN		
.XXX ± .004			CHECK		PART NUMBER
			APPROVED		REV
MATERIAL		FINISH		SCALE	UNIT
					mm
					SHEET

D

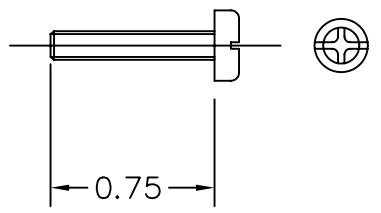
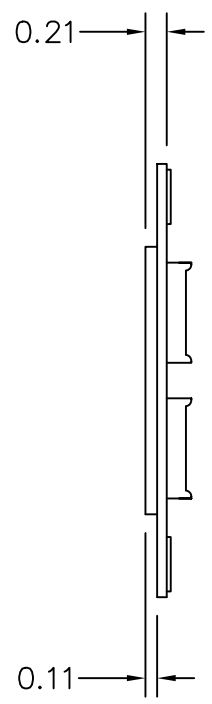
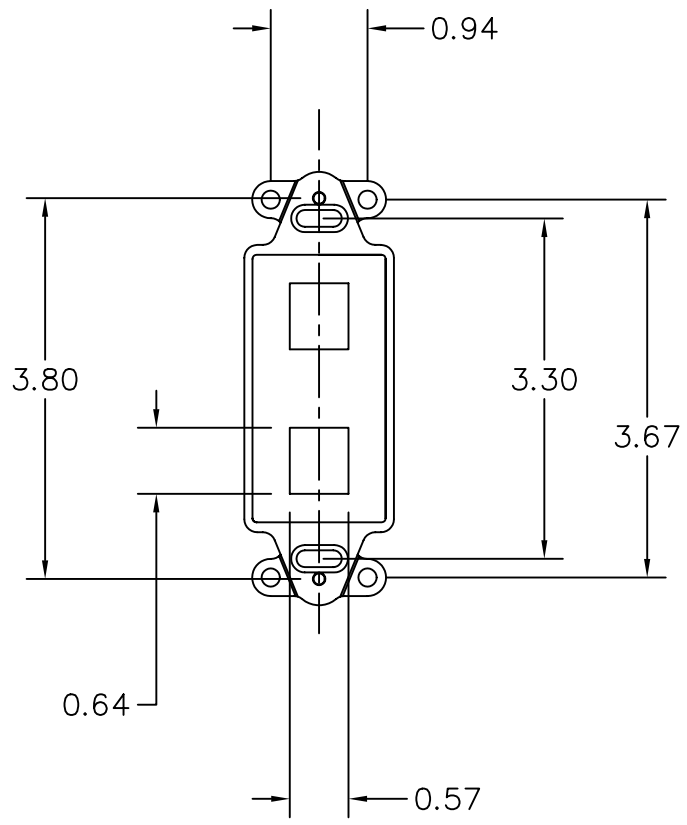
C

B

A

1 2 3 4

THE INFORMATION CONTAINED HEREON IS PROPRIETARY AND CONFIDENTIAL TO DYNACOM CORPORATION AND SHALL NOT BE USED OR DISCLOSED, IN WHOLE OR IN PART WITHOUT FIRST OBTAINING THE WRITTEN PERMISSION OF DYNACOM CORPORATION. SPECIFICATIONS ARE SUBJECT TO CHANGE WITHOUT NOTICE.



SCREW, MOUNTING

NOTES:  
 1. XXX INDICATES COLOR  
 WHT = ELECTRICAL WHITE

2	2	-	SCREW, 6-32 TYPE F, CHROME PLATED
1	1	10600-PDF2	FRAME DECOR, 2-PORT
ITEM	QTY	PART NO.	DESCRIPTION



e-mail.....info@dynacomcorp.com  
 1366 San Mateo Ave Suite 201  
 South San Francisco CA 94080

TITLE	2-PORT FRAME FOR DECOR WALLPLATE	CHECKED:	DWG. NO.	SHEET 1 OF 1	REV.
			10600-PDF2-XXX		

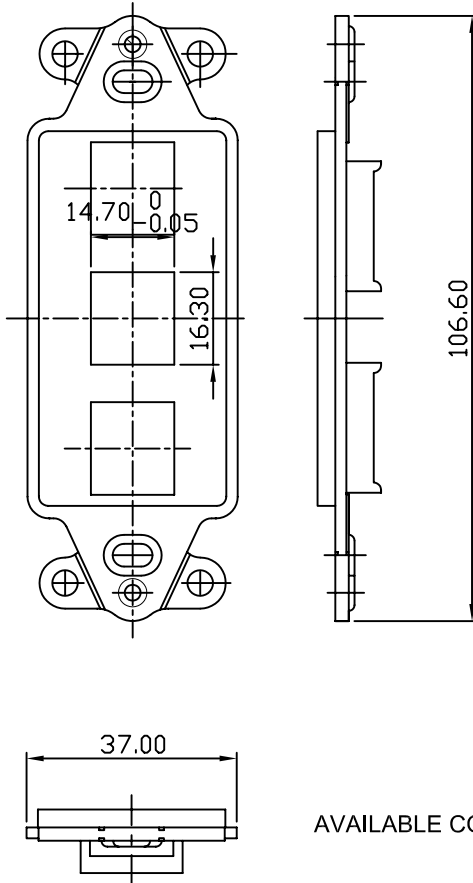
4

3

2

1

THE INFORMATION CONTAINED HEREON IS PROPRIETARY AND CONFIDENTIAL TO DYNACOM CORPORATION AND SHALL NOT BE USED OR DISCLOSED, IN WHOLE OR IN PART WITHOUT FIRST OBTAINING THE WRITTEN PERMISSION OF DYNACOM CORPORATION. SPECIFICATIONS ARE SUBJECT TO CHANGE WITHOUT NOTICE.



AVAILABLE COLORS: ELECTRICAL WHITE

UNLESS OTHERWISE SPECIFIED: TOLERANCES		PROJECT ID 10600-PDF3-XXX		TITLE 3-PORT FRAME FOR DECOR WALLPLATE	
INCH .X ± .016 .XX ± .008 .XXX ± .004	MM .X ± 0.2 .XX ± 0.1	ANGULAR X ± 1° .X ± .5°	FILE	DATE	
MATERIAL	DRAWN				
SURFACE	CHECK				
FINISH	APPROVED				
SCALE			UNIT	mm	SHEET

D

C

B

A

4

3

2

1

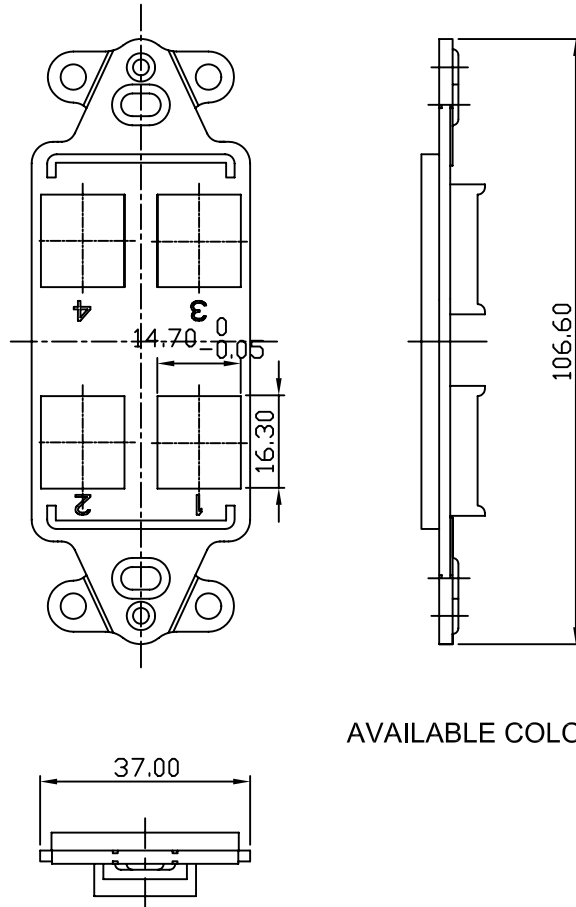
THE INFORMATION CONTAINED HEREON IS PROPRIETARY AND CONFIDENTIAL TO DYNACOM CORPORATION AND SHALL NOT BE USED OR DISCLOSED, IN WHOLE OR IN PART WITHOUT FIRST OBTAINING THE WRITTEN PERMISSION OF DYNACOM CORPORATION.  
 SPECIFICATIONS ARE SUBJECT TO CHANGE WITHOUT NOTICE.

D

C

B

A



AVAILABLE COLORS: ELECTRICAL WHITE

UNLESS OTHERWISE SPECIFIED: TOLERANCES		PROJECT ID 10600-PDF4-XXX		TITLE 4-PORT FRAME FOR DECOR WALLPLATE	
INCH .X ± .016 .XX ± .008 .XXX ± .004	MM .X ± 0.2 .XX ± 0.1	ANGULAR X ± 1° .X ± .5°	FILE	DATE	
MATERIAL	DRAWN				
SURFACE	CHECK				
FINISH	APPROVED				
SCALE	UNIT	mm	SHEET		

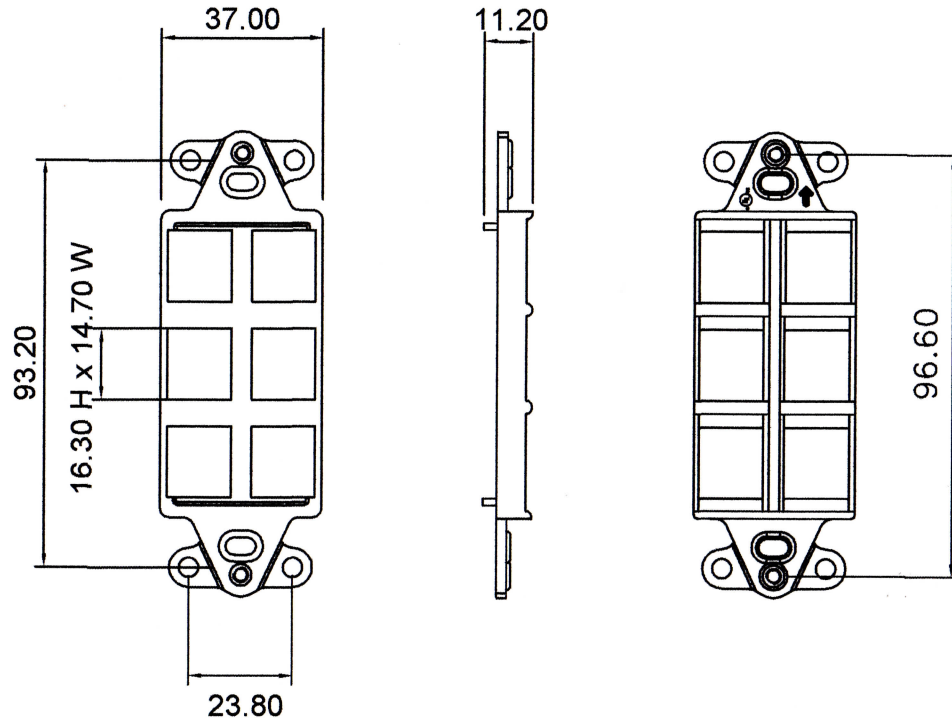
THE INFORMATION CONTAINED HEREON IS PROPRIETARY AND CONFIDENTIAL TO DYNACOM CORPORATION. AND SHALL NOT BE USED OR DISCLOSED, IN WHOLE OR IN PART WITHOUT FIRST OBTAINING THE WRITTEN PERMISSION OF DYNACOM CORPORATION.

ZONE	REV.	DESCRIPTION	DATE	APPV.
-	A	INITIAL RELEASE	05/15/2014	E.A.

**Notes:**

1. All dimensions in millimeters.
2. Material :ABS Grade-UL94VO -PA 765A or equivalent grade.
3. Color: Specified colors -XX See table below
4. Finish to be SPIA-3.
5. All dimensions inspection apply after texturing and shrink.
6. Part shall be free from flash, scratches, spots and weld lines.

Part Number	Color
10600-PDF6-AL	Almond
10600-PDF6-IV	Ivory
10600-PDF6-WH	White



e-mail...sales@dynacomcorp.com  
www.dynacomcorp.com

TOLS ~ 20MM ± 0.2MM, OVER 20MM TO 60MM ± 0.4MM, OVER 60MM ± 0.8MM. ANGLES ± 1 DEG			
NEXT ASSY: -	DRAWN: E.A. 09/17/2014	CHECKED: EA	
TITLE <b>6-Port Decor Mounting Frame</b>		DWG. NO. <b>10600-PDF6-XX</b>	SHEET 1 OF 1 REV. <b>A</b>