

CLARITY®

HDJ Surface Mount Box

Legrand work area outlet mounting solutions provide a low-profile compact design that blend with most environments and come with a textured finish. HDJ Surface Mount Boxes (SMB) accept High Density jacks and mixed media modules. All SMB options provide easy snap-on covers and snap-in label fields, and the 6-port also includes a “break away” integrated fiber management spool. Boxes are supplied with screws and double-sided adhesive tape for mounting onto almost any surface. 1 and 2-port boxes meets UL2043 and are suitable for installation in air handling spaces (ie plenum spaces).

Ordering Information

404HDJ1-xx	1-Port HDJ Plastic Surface Mount Box, Plenum Rated
404HDJ2-xx	2-Port HDJ Plastic Surface Mount Box, Plenum Rated
404HDJ4-xx	4-Port HDJ Plastic Surface Mount Box
404HDJ6-xx	6-Port HDJ Plastic Surface Mount Box

Remove -xx for Fog White, -88 for White, -00 for Black. Contact Customer Service for other colors



404HDJ1

Technical Specifications

General Information

Footprint	HDJ, also accepts HDFM and HDJ A/V Modules
Application	University Campuses, Commercial Buildings & Offices
UL Certification	UL 2043 for 1 & 2-Port options
RoHS	Yes
LEED	Yes
PEP	Yes
cUL Listed	Yes
BAA Compliant	Yes
Country of Origin	Taiwan
Type	HDJ



404HDJ2



404HDJ4



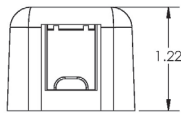
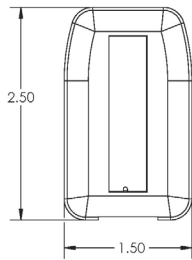
404HDJ6

CLARITY®

HDJ Surface Mount Box

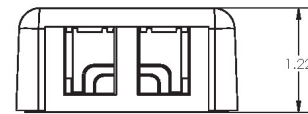
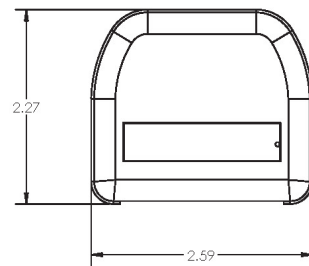
Dimensions 1-Port

Width	1.50 in.
Height	1.22 in.
Depth	2.50 in.



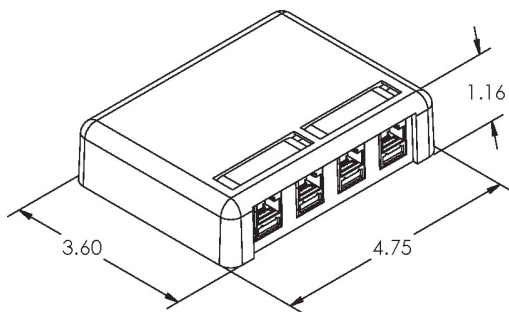
Dimensions 2-Port

Width	2.59 in.
Height	1.22 in.
Depth	2.27 in.



Dimensions 4-Port

Width	4.75 in.
Height	1.16 in.
Depth	3.60 in.



Dimensions 6-Port

Width	6.98 in.
Height	1.16 in.
Depth	4.33 in.

