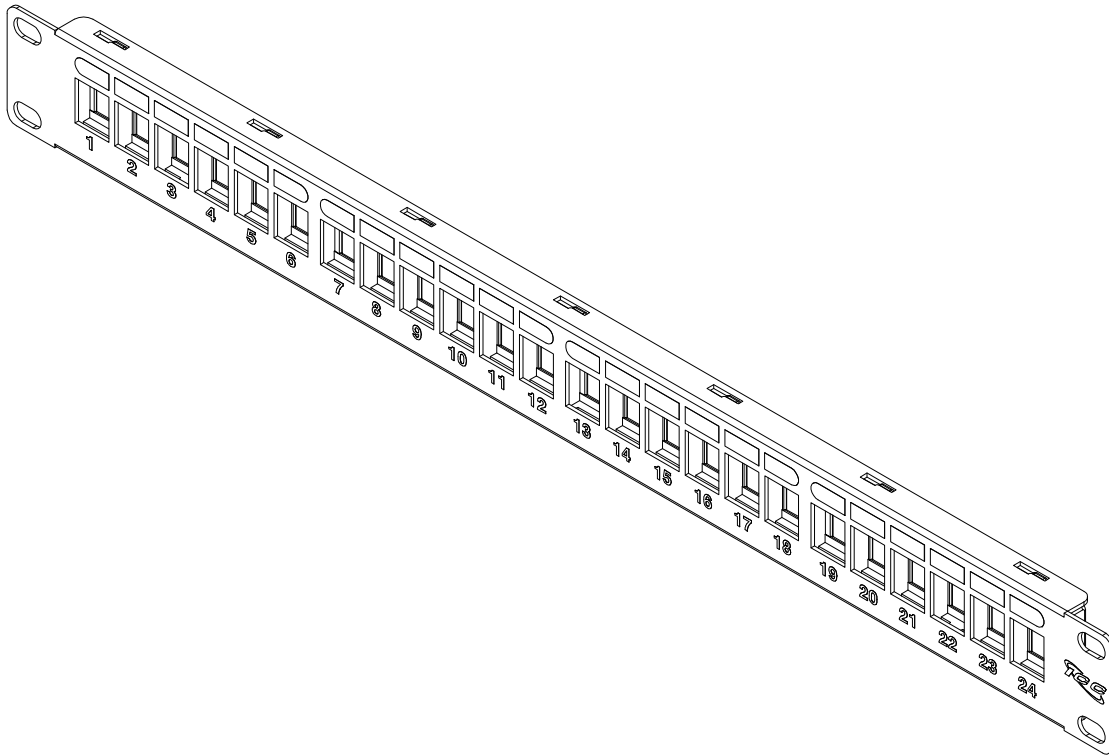


24-Port High Density Flush Blank Patch Panel

PRODUCT SPECIFICATION


Package includes:

- A. Blank Patch Panel, 1 pc
- B. #12-24 x 5/8" Pan Head, Pilot Point Machine Screw, 4 pcs

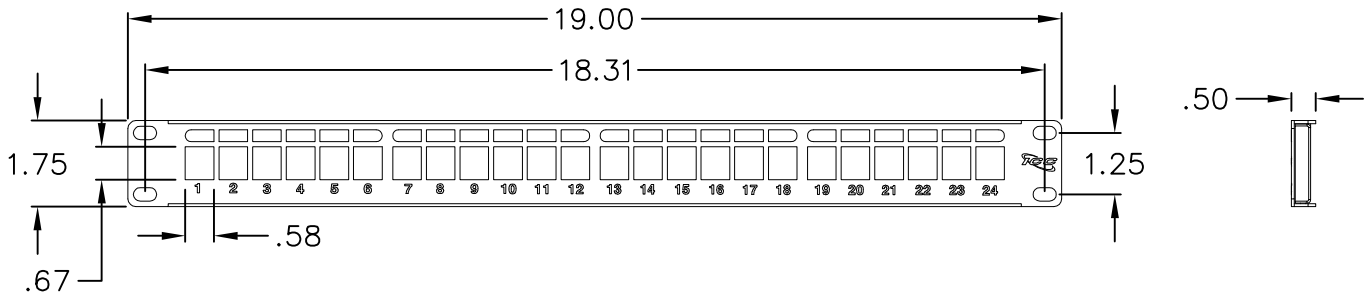
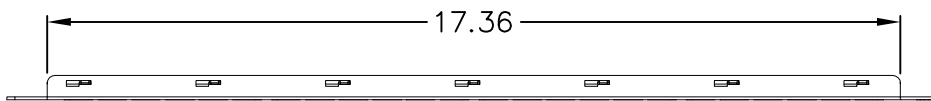


Features and Benefits:

- Rack mounted reinforced steel panel with pre-numbered ports
- Flush mount design adds stability by allowing a rigid fit and a neat finished appearance
- Designed to support the distribution of voice, data, audio, video, and fiber optic needs for commercial or residential applications
- Ideal for use in high density applications with more connectivity in less space
- Designed to fit all standard 19" racks and cabinets
- 1 rack mount space (RMS)
- Accommodates a wide variety of easy to snap-in modules, providing configuration flexibility
- Accepts all IC107 HD modules
- ANSI/TIA-568-C and UL 1863 compliant

| | | | |
|---|------------|--|------------|
| PATCH PANEL, BLANK, HD, 24-PORT, 1 RMS | |  <i>Premium Products</i> <i>Proven Performance</i> <i>Competitive Prices</i> | |
| ITEM NO. | IC107BP241 | | REV. B |
| DWG NO. | PS107BP241 | | PAGE NO. 1 |

CUSTOMER CARE / TECHNICAL SUPPORT * CSR@ICC.COM / 888-ASK-4-ICC (275-4422) * 2100 E. Valencia Dr, Suite D, Fullerton, CA 92831 * www.icc.com



NOTE: UNLESS OTHERWISE SPECIFIED

- 1. BLANK PATCH PANEL:
 - A. MATERIAL: 16 GA CRS
 - B. SURFACE FINISH: BLACK POWDER COAT
- 2. 24-PORT HD BEZEL:
 - A. MATERIAL: ABS, UL 94V-0

UL US FILE NO. 125268

| | | |
|---|------------|--|
| PATCH PANEL, BLANK, HD, 24-PORT, 1 RMS | | |
| ITEM NO. IC107BP241 | REV. B | |
| DWG NO. PS107BP241 | PAGE NO. 2 | |

CUSTOMER CARE / TECHNICAL SUPPORT * CSR@ICC.COM / 888-ASK-4-ICC (275-4422) * 2100 E. Valencia Dr, Suite D, Fullerton, CA 92831 * www.icc.com