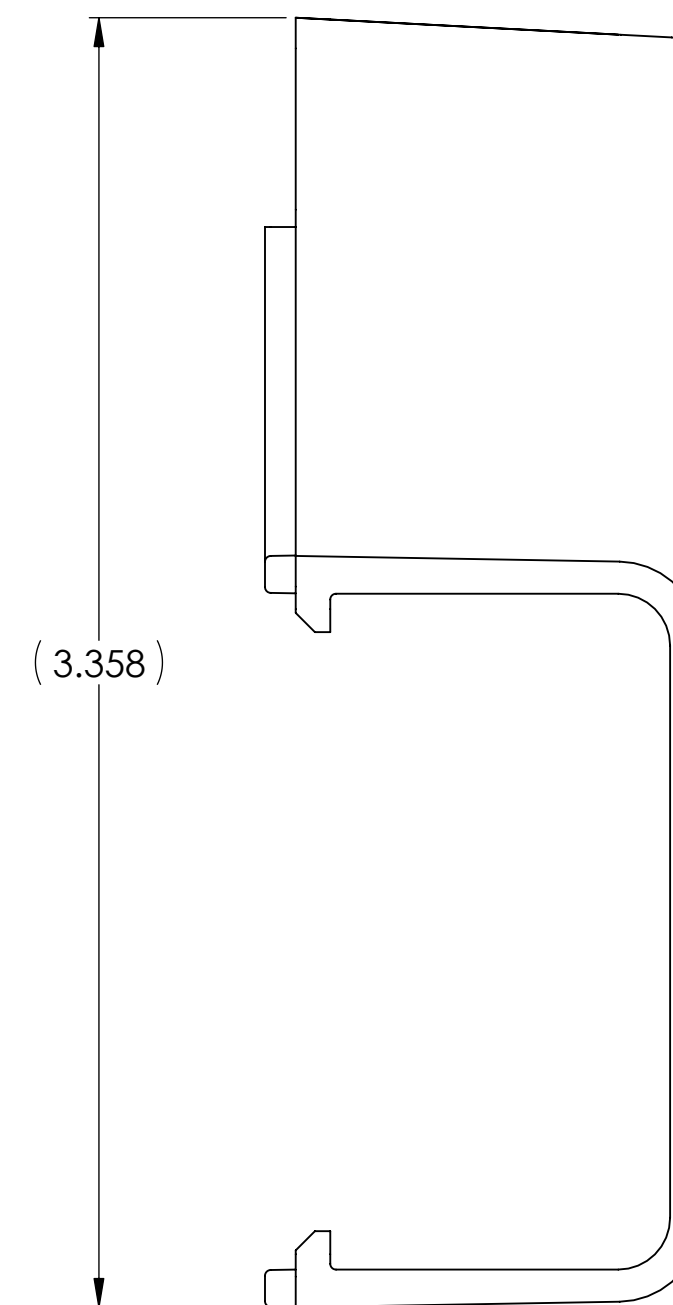
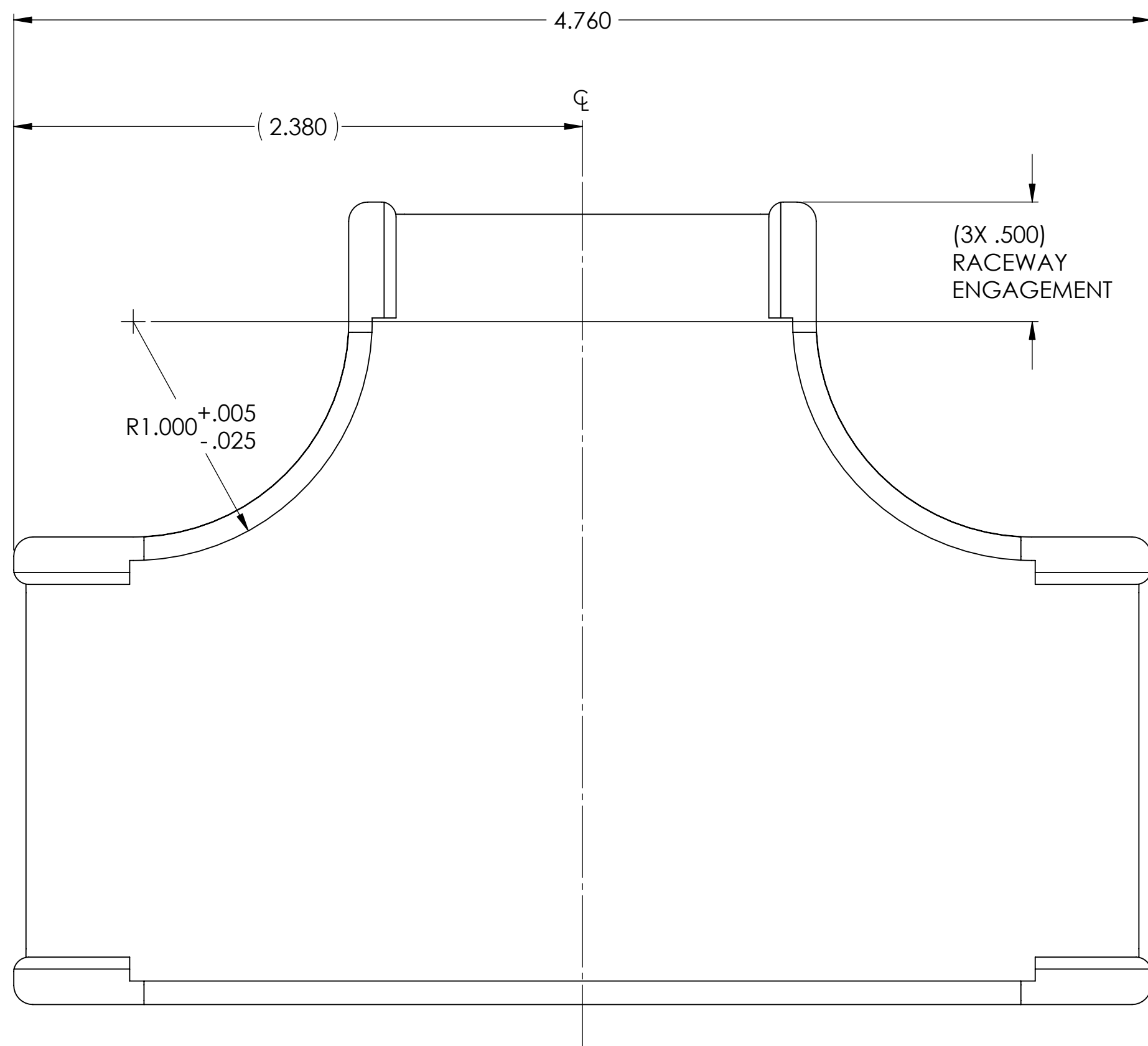


SCALE 1:1



**PART NO. DESCRIPTION**

TSR3\_-21-1

COLOR:  
 I = IVORY  
 FW = OFFICE WHITE  
 W = WHITE  
 (FOR OTHER COLORS  
 CONTACT FACTORY)

REDUCED  
 NO SCALE

**HellermannTyton®**  
 ALL PROPRIETARY RIGHTS IN THE SUBJECT MATTER SHOWN ON THIS DRAWING ARE EXCLUSIVE PROPERTY OF HELLERMANN TYTON

name	date	city, state

- NOTES**
- PART IS SYMMETRICAL ABOUT  $\phi$ .
  - THIS PART MATES WITH (3) TSR3 RACEWAYS.

REVISIONS	DR level	02
	AW by	PLN
	JN date	01/02/03
	EG ECN #	003571
	part level	B

DIMENSIONS	.xxxx = ± .0005
	.xxx = ± .005
	.xx = ± .01
	.x = ± .03
	∠ = ± 0.5°
unless otherwise specified	
units	inches

PART	number	TSR3_-21-1	phase	PRODUCTION
	name	TSR3-21-1 02 1 3/4" TEE WITH 1" MIN BEND RADIUS		
	material	PVC		

DRAWING	format	C	CAD	SW	scale	2:1
	computer file number	DT3032006CST_02	previous number	DT\CST\3032006A		
	drawn	J. STOLZ	checked	KAC	approved	
	date	03/25/96		02/26/03		
	type	CUSTOMER	sheet	1 of 1		
number	DT3032006CST					