

## Blank QuickPort® Inserts

### APPLICATION

Blank QuickPort Inserts are designed to secure unused QuickPort openings, and provide protection from dust and debris.



### SPECIFICATION

Blank QuickPort Inserts shall fit installed Leviton telecommunications wallplates, outlets, and field-configurable patch panels and patch blocks. Blank inserts shall be available in six colors (ivory, white, light almond, grey, black, and brown) to match the housings or provide unique color coding for port ID. Modules shall be UL listed. All plastics used in construction of the module bodies shall be fire retardant.

### FEATURES

- Compatible with all QuickPort wallplates and housings
- Packaged in a bag of 10

### DESIGN CONSIDERATIONS

- Blank QuickPort Inserts snap into any housing with the QuickPort name: flush- and surface-mount outlets, Multimedia Outlet System (with adapter), patch panels, and patch blocks
- Blank inserts are available in six colors (ivory, white, light almond, grey, black, and brown) to match the housings or provide unique color coding for port ID

### STANDARDS COMPLIANCE

- cULus Listed (UL 1863, CAN/CSA-C22.2 No. 182.4-1990)

### PHYSICAL SPECIFICATIONS

Dimensions: See page two  
Materials: Snap-in module bodies are high-impact, fire-retardant plastic

### COUNTRY OF ORIGIN

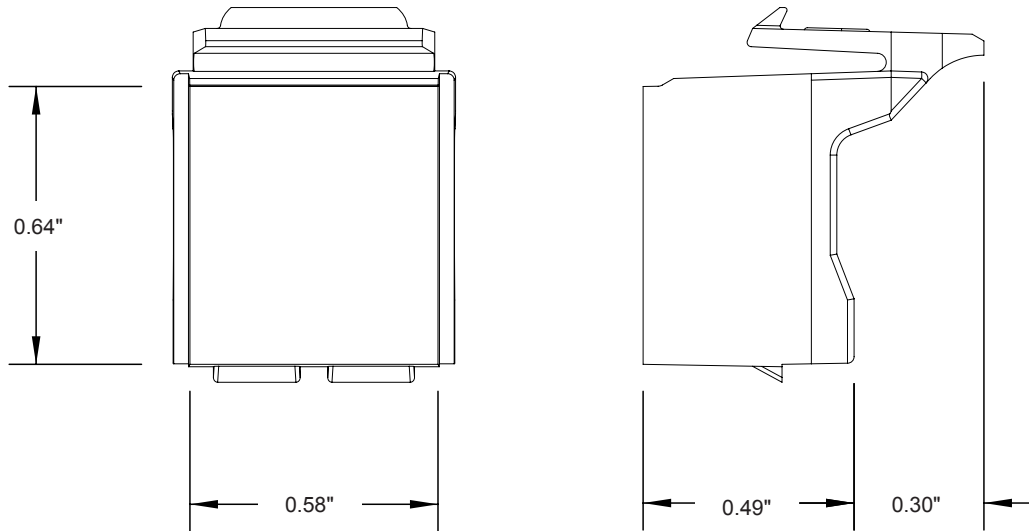
USA

### WARRANTY INFORMATION

For a copy of Leviton product warranties, visit [www.leviton.com/warranty](http://www.leviton.com/warranty).

**ELECTRONIC FILES**

For CAD files, typical specs, or technical drawings (.DXF, .DWG), visit [www.leviton.com](http://www.leviton.com).



**41084-0Bx**

**PART NUMBERS**

Description	IVORY	WHITE	LT. ALMOND	GREY	BLACK	BROWN
Blank QuickPort® Module, bag of 10	41084-0BI	41084-0BW	41084-0BT	41084-0BG	41084-0BE	41084-0BB

**Leviton Network Solutions**  
2222 - 222nd St. SE  
Bothell, WA 98021-4416

**Asia / Pacific**  
T +1.631.812.6228  
E [infoasean@leviton.com](mailto:infoasean@leviton.com)

**Canada**  
T +1.514.954.1840  
E [pcservice@leviton.com](mailto:pcservice@leviton.com)

**Caribbean**  
T +1.954.593.1896  
E [infocaribbean@leviton.com](mailto:infocaribbean@leviton.com)

**China**  
T +852.2774.9876  
E [infochina@leviton.com](mailto:infochina@leviton.com)

**Colombia**  
T +57.1.743.6045  
E [infocolombia@leviton.com](mailto:infocolombia@leviton.com)

tel 1-800-824-3005  
tel +1-425-486-2222  
[appeng@leviton.com](mailto:appeng@leviton.com)  
[www.leviton.com](http://www.leviton.com)

**Europe**  
T +33.6.8869.1380  
E [infoeurope@leviton.com](mailto:infoeurope@leviton.com)

**India / SAARC**  
T +971.4.886.4722  
E [infoindia@leviton.com](mailto:infoindia@leviton.com)

**Mexico**  
T +52.55.5082.1040  
E [lsamarketing@leviton.com](mailto:lsamarketing@leviton.com)

**Middle East & Africa**  
T +971.4.886.4722  
E [lmeinfo@leviton.com](mailto:lmeinfo@leviton.com)

**South Korea**  
T +82.2.3273.9963  
E [infokorea@leviton.com](mailto:infokorea@leviton.com)