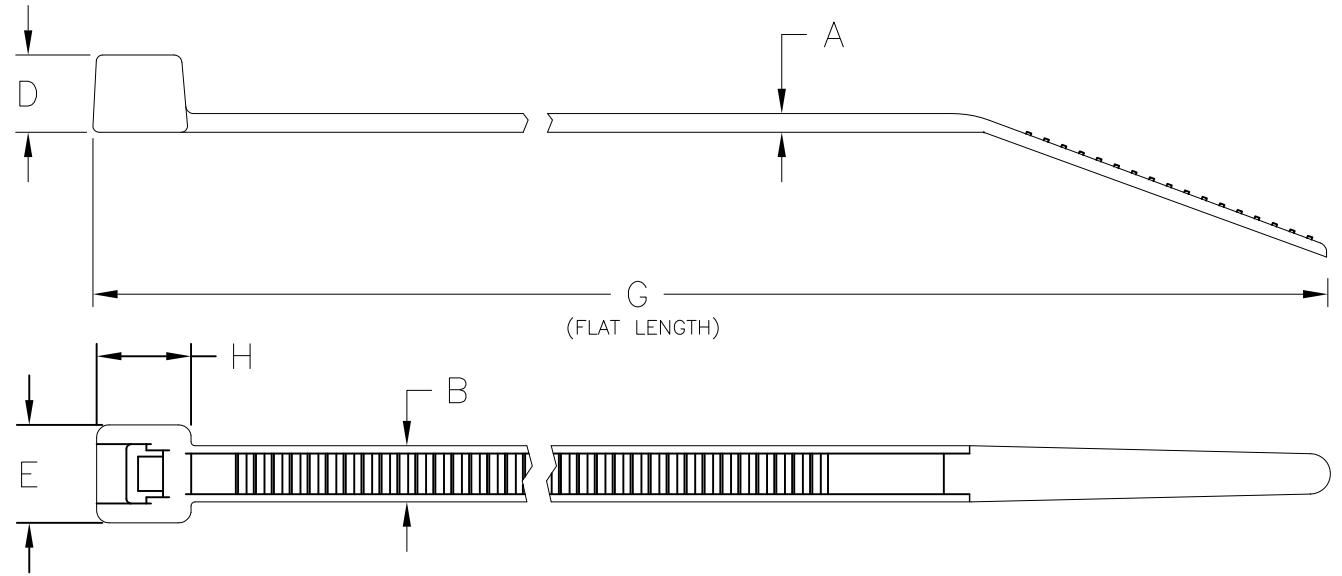


Revision level		Revision Record	Changed	Date	Approved	Date
part	drawing					
	07	See ECN 012383	A.A.C.	06/14/13	K.A.C.	06/14/13

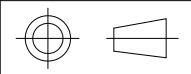


PRODUCT CODE DESCRIPTION
 T3OR_VO
 COLOR
 (CONSULT FACTORY FOR AVAILABLE COLORS)

Aerospace Spec. Tie SAE AS33671 Type 1, Class 1	Type	Cable Range (mm)	Material	A	B	D	E	G	H
yes	T3OR	1.5 to 35	PA66	1.1 ±0.2	3.6 ±0.5	4.28 ±0.8	6.0 ±0.5	148.0 ±7.0	5.9 ±0.5
no		1.5 to 35	PA66HS						
no		1.5 to 35	PA66HIRHSUV						
no		1.5 to 35	PA66UV						
no		3 to 35	PA66VO						
no		1.5 to 35	PA46						

135N
 Minimum Loop Tensile Strength
 SEE CHART
 Material
 Dimension tolerances unless otherwise specified
 .XXXX =
 .XXX =
 .XX =
 .X = NOTED
 < =
 Dimension Units mm
 PERFORMANCE SPECIFICATION

ACAD MECH
 2010



Drawn G.G.G. 11/9/93
 Approved K.A.C. 06/14/13

Scale 2:1
 Computer File Number CT\CST\2030001_07
 Title

ALL PROPRIETARY RIGHTS IN THE SUBJECT MATTER SHOWN ON THIS DRAWING ARE EXCLUSIVE PROPERTY OF HELLERMANN TYTON

HellermannTyton
 7930 N. Faulkner Rd.
 Milwaukee, WI 53224
 Ph: (414) 355-1130
 Fx: (414) 362-8338

**T3OR
 STANDARD CABLE TIE**
 Drawing-No
CT2030001CST
 Format AH
 Sheet 1 of 1