

Technical Support

1.800.672.7298

supportUS@paxton-access.com

Technical help is available: Monday - Friday from 02:00 AM - 8:00 PM (EST)

Documentation on all Paxton products can be found on our web site - <http://www.paxton-access.com/>

Where a control unit is supplied as a PCB, it may be mounted inside the AL300ULX with this mounting plate (571-395-US) and fitting kit.

A fitting kit (fk1-077) is supplied with the control unit which contains additional mounting posts and screws. Fix four f/f mounting posts to the corners of the PCB using four of the machine screws.

If more than one circuit is to be built as a stack, use the m/f posts to support the first ACU and then the f/f posts to space the units apart, securing the top unit with the four machine screws.

Use the supplied countersunk screws to fix the assembly to the plate, locate the plate over the four mounting studs inside the enclosure (Fig 1) and secure with the nuts provided.

Further information is available on the website

[ins-30101-US \(AL300ULX Wiring diagram\)](#) < <http://paxton.info/1029> >

Mount the plate with the holes offset to the left. - as below

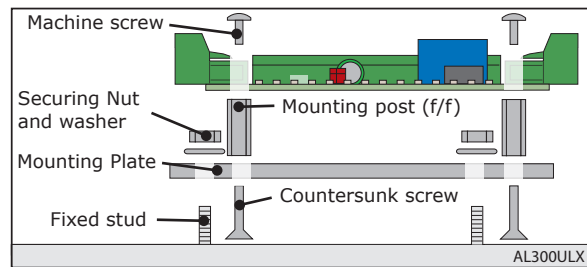
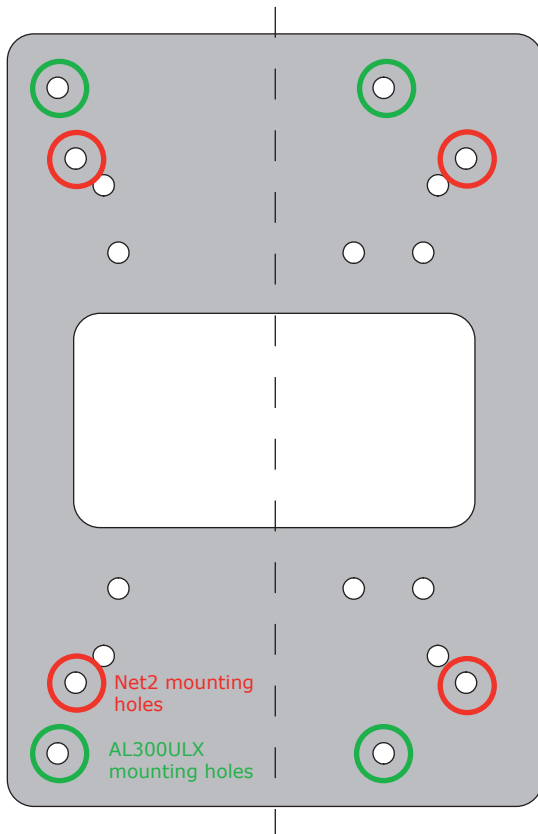


Fig 1 - Mounting Plate with one controller

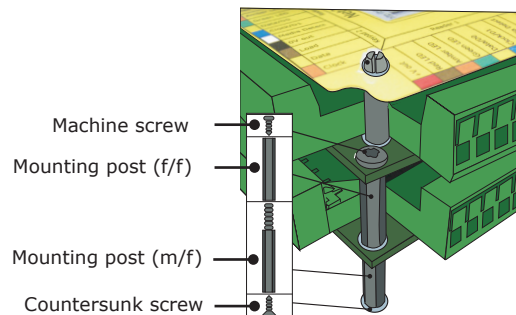


Fig 2 - Stacking multiple controllers